

## MINNA

MIBT70

Minna 60" x 30" x 20" Rectangular Cast Iron Bathtub



SHOWN IN MINNA 60" X 30" X 20" RECTANGULAR CAST IRON BATHTUB | MIBT70

### TECHNICAL DETAILS

ADA Compliance: No  
 Assembly Configuration: One Piece  
 Bathing Type: Bathing and Soaking  
 Depth To Overflow: 14 5/16"  
 Depth/Width: 30"  
 Drain Hole Diameter: 2 1/16"  
 Drilling Option: Fittings Drilling  
 Fitting Hole Configuration Number: None  
 Height: 20"  
 Installation Type: Undermount  
 Item Weight Filled: 764.0 pounds  
 Length: 60"  
 Material Wall Thickness: 3/8"  
 Overflow Hole Diameter: 2 1/16"  
 Primary Material: Cast Iron  
 Single Or Double Ended: Single Ended  
 Suggested Application: Bath

### INSPIRATION

The Minna cast iron bathtub was designed by Waterworks with comfort and space in mind. The ergonomic shape invites bathers to relax and soak while the foot print of the bathtub provides a comfortable area in which to maneuver while showering.

### CODES & STANDARDS

Code # WWBT70: State of MA

### PRODUCT FEATURES

The Minna tub is a simple, rectangular cast iron bathing vessel with a flat deck for drop in or undermount installations.

This five foot bathtub fits most bathroom floor plans allowing for versatile applications.

This product can also be used with the Minna Bathtub Feet Set of Four(MIBT71).

Available with optional Slip Resistant interior surface which provides additional built-in safety without the use of a mat.

### CERTIFICATIONS

Dimensions of fixtures are nominal. Measure your actual **PRODUCT (NOTES)** walls.

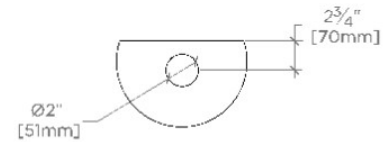
# WATERWORKS

## MINNA

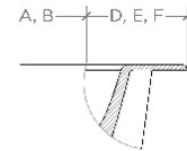
## MIBT70

Minna 60" x 30" x 20" Rectangular Cast Iron Bathtub

Dimensional Tolerance	
> 7 <sup>7</sup> / <sub>8</sub> " [200mm]	± 0.8%
< 7 <sup>7</sup> / <sub>8</sub> " [200mm]	± 1.8%

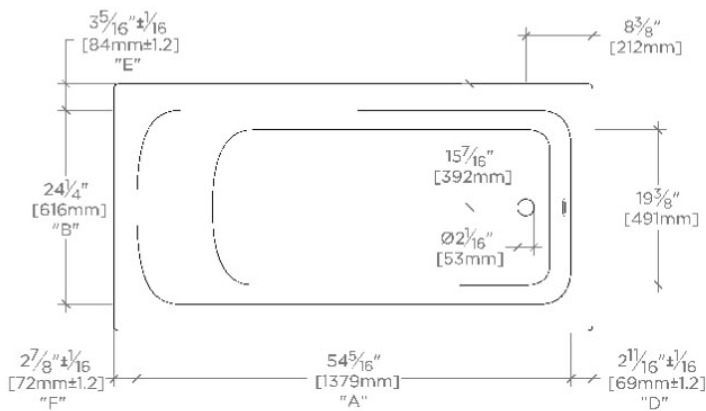


OVERFLOW DETAIL DO NOT SCALE

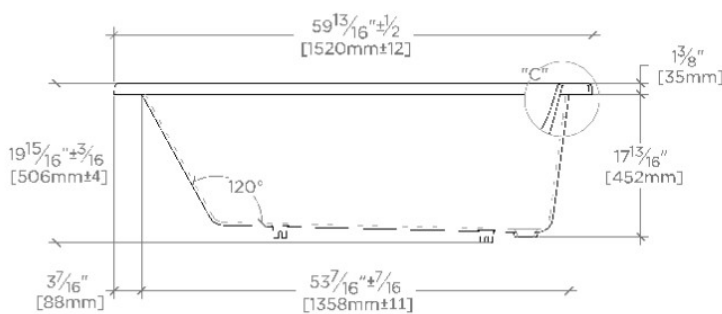


BATHING WELL (A,B) AND RIM (D,E,F) DIMENSIONS ARE TO THE TOP OF RADIUS AS SHOWN.

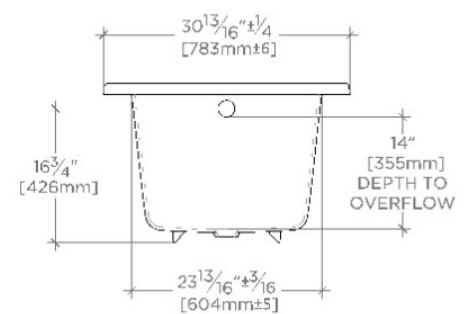
DETAIL "C" DO NOT SCALE



TOP VIEW SCALE: 1/2"=1'-0"



SIDE VIEW SCALE: 1/2"=1'-0"



END VIEW SCALE: 1/2"=1'-0"