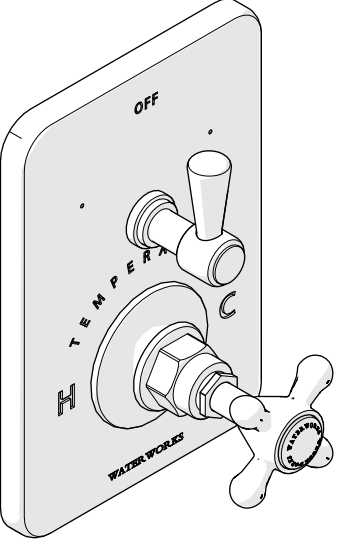
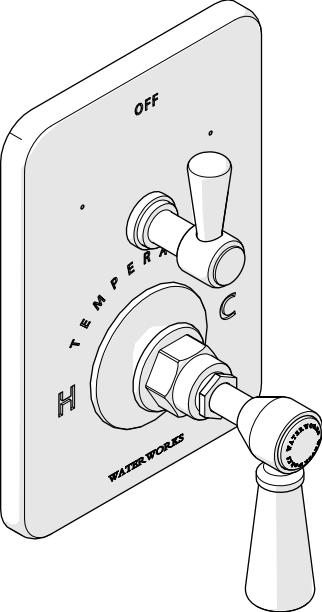


WATERWORKS

INSTALLATION GUIDELINES

STYLE No. HGTH22, HGTH32
Highgate Integrated Thermostatic and Diverter Trim

	STYLE	DESCRIPTION
	HGTH22	Highgate Integrated Thermostatic and Diverter Trim with Cross Handle
	HGTH32	Highgate Integrated Thermostatic and Diverter Trim with Porcelain Lever Handle

REQUIRED PLUMBING DETAILS:

- ViaBox™ 1/2" Integrated Thermostatic Valve with Two Way Diverter
STYLE No. GUTH62
- ViaBox™ 1/2" Integrated Thermostatic Valve with Three Way Diverter
STYLE No. GUTH63

IMPORTANT:

- To ensure this product is installed properly, you must read and follow these guidelines.
- The owner/user of this product must keep this information for future reference.
- This product must be installed by a professional licensed contractor and must be onsite prior to rough-in. This allows the installer to visualize the installation.
- **ALL VALVES AND TRIMS SOLD SEPARATELY.**
- This product is intended to work with the ViaBox™ 1/2" Integrated Thermostatic Valve with Diverter (Style No. **GUTH62** or **GUTH63**). Refer to the Installation Guidelines provided with the VALVE for complete rough-in installation details and related information.
- Be sure your installation conforms to all federal, state, and local codes. In the State of Massachusetts, all installations must comply with the rules and regulations set forth within 248 CMR.
- **WARNING:** The **GUTH62** and **GUTH63** feature anti-scald protection. The risk of scalding exists until the installer has properly calibrated/adjusted the temperature setting during final TRIM installation.
- This product is sold partially assembled but shown fully disassembled for illustrative and service purposes only.
- Inspect this product to ensure you have all the parts required for proper installation.
- Use only a strap wrench or protected/smooth-jaw wrench on any finished surface.
- The use of certain plumber's putty may stain stone or tile surfaces.
- If this product will remain unused for an extended period of time (over 3 months), then the water to the THERMOSTATIC VALVE should be shut off (via service stops or system control valve) and the INTEGRATED DIVERTER VALVE should be opened to allow the water in the THERMOSTATIC VALVE to evaporate. This is to keep the THERMOSTATIC CARTRIDGE from being exposed to stagnant or hard water, which can cause the VALVE to malfunction.
- If further assistance is required, please contact Product Support at 1-800-927-2120 Monday through Friday, 8am - 6pm EST.
- Refer to the separate Service Parts Documents for available replacement parts.

WATERWORKS

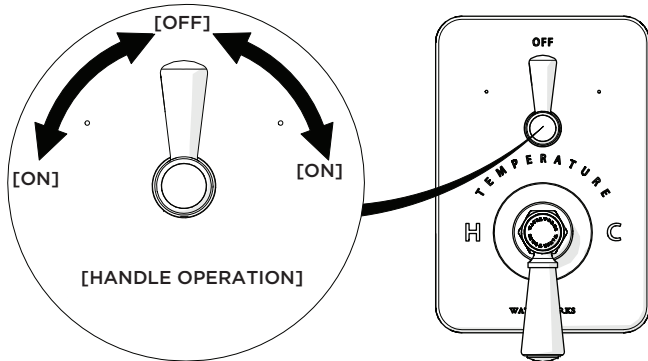
INSTALLATION GUIDELINES WITH GUTH62

STYLE No. HGTH22, HGTH32

Highgate Integrated Thermostatic and Diverter Trim

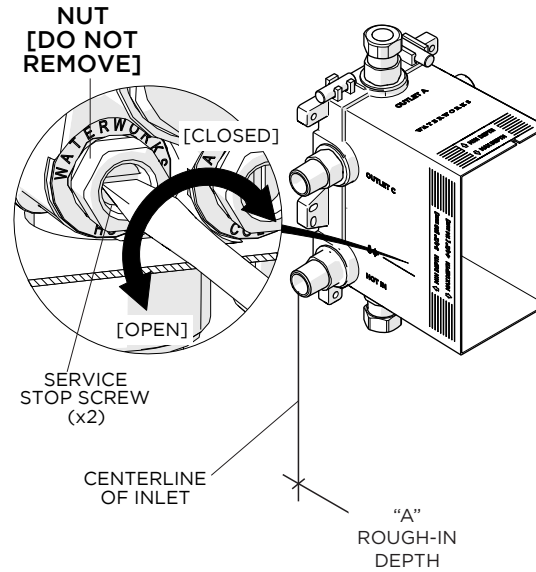
VALVE FUNCTION AND HANDLE OPERATION:

- The THERMOSTATIC VALVE only mixes hot and cold water, it does not have an on/off/volume control function. Mixed water flows out at a fixed volume to the INTEGRATED DIVERTER VALVE which has 3 positions.
 - 2 ON positions that can direct water flow to a **MAXIMUM** of 2 devices. Water **CANNOT** flow out of the devices simultaneously (i.e. out of the shower head AND handshower together).
 - 1 OFF position that shuts the water off to all devices.
 - The INTEGRATED DIVERTER VALVE incorporates tactile feedback at each position.

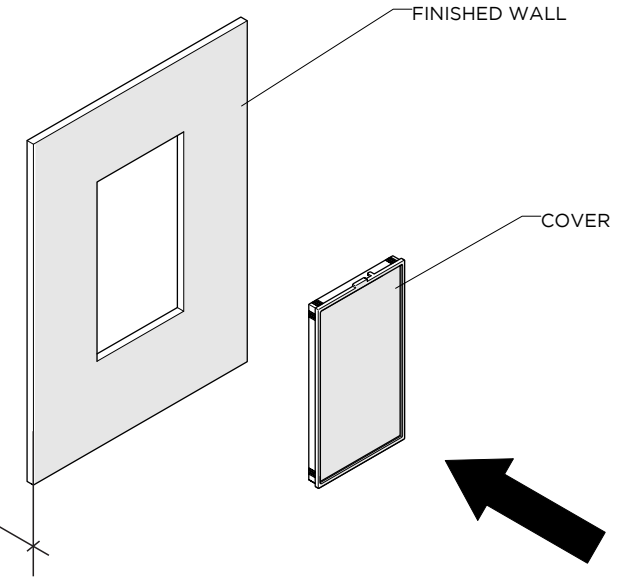


ROUGH-IN AND VALVE PREPARATION:

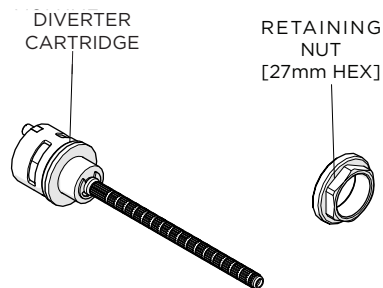
- The VALVE is provided with pre-installed FLUSH PLATES. The CARTRIDGES, RETAINING NUTS, and THREADED TUBE are packaged separately and provided with the VALVE.
- **IMPORTANT:** Make sure the supply lines are flushed prior to final TRIM installation using the FLUSH PLATES provided. Refer to the Installation Guidelines provided with the VALVE for further information.
- **CAUTION:** The rough-in depth is measured from the centerline of the inlets to the surface of the finished wall. If the VALVE is roughed-in too shallow, the TRIM cannot be installed correctly.
- Do **NOT** remove the COVER until final TRIM installation and ensure the finished wall is within the **MAXIMUM** and **MINIMUM** markings on the ViaBox™.



DIM	VALUE
A	4-1/2" [114mm] MAXIMUM 3-1/2" [89mm] MINIMUM

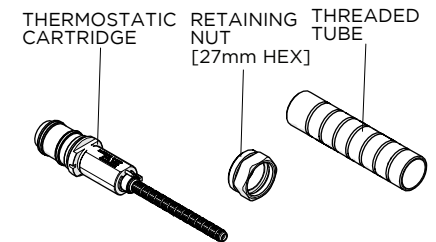


IMPORTANT: The TWO WAY DIVERTER CARTRIDGE and RETAINING NUT are packaged separately and provided with the VALVE. **SET ASIDE UNTIL FINAL TRIM INSTALLATION!**



- ‡ SERVICE PART
- TWO WAY DIVERTER CARTRIDGE KIT
STYLE No. 100241

IMPORTANT: The THERMOSTATIC CARTRIDGE, RETAINING NUT, and THREADED TUBE are packaged separately and provided with the VALVE. **SET ASIDE UNTIL FINAL TRIM INSTALLATION!**



- ‡ SERVICE PART
- THERMOSTATIC CARTRIDGE KIT
STYLE No. 100219

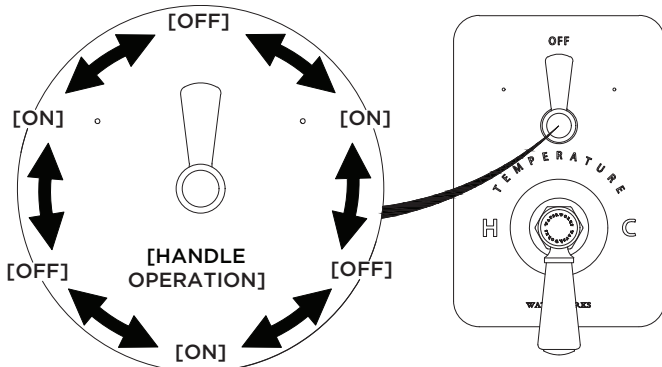
WATERWORKS

INSTALLATION GUIDELINES WITH GUTH63

STYLE No. HGTH22, HGTH32
Highgate Integrated Thermostatic and Diverter Trim

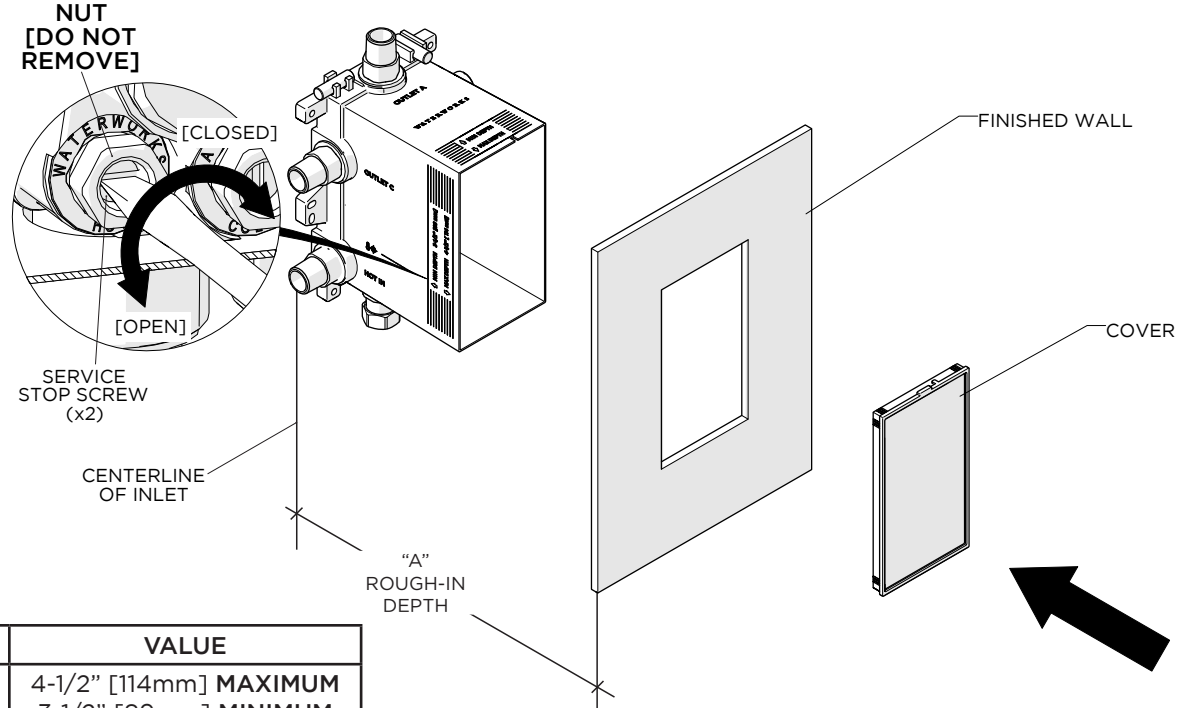
VALVE FUNCTION AND HANDLE OPERATION:

- The THERMOSTATIC VALVE only mixes hot and cold water, it does not have an on/off/volume control function. Mixed water flows out at a fixed volume to the INTEGRATED DIVERTER VALVE which has 6 positions, each at 60° apart.
 - 3 ON positions that can direct water flow to a **MAXIMUM** of 3 devices. Water **CANNOT** flow out of the devices simultaneously (i.e. out of the shower head AND handshower together).
 - 3 OFF positions that shut the water off to all devices.
 - The INTEGRATED DIVERTER VALVE incorporates tactile feedback at each position.



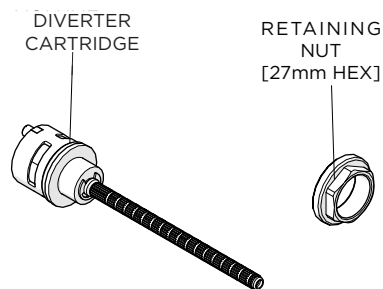
ROUGH-IN AND VALVE PREPARATION:

- The VALVE is provided with pre-installed FLUSH PLATES. The CARTRIDGES, RETAINING NUTS, and THREADED TUBE are packaged separately and provided with the VALVE.
- **IMPORTANT:** Make sure the supply lines are flushed prior to final TRIM installation using the FLUSH PLATES provided. Refer to the Installation Guidelines provided with the VALVE for further information.
- **CAUTION:** The rough-in depth is measured from the centerline of the inlets to the surface of the finished wall. If the VALVE is roughed-in too shallow, the TRIM cannot be installed correctly.
- Do **NOT** remove the COVER until final TRIM installation and ensure the finished wall is within the **MAXIMUM** and **MINIMUM** markings on the ViaBox™.



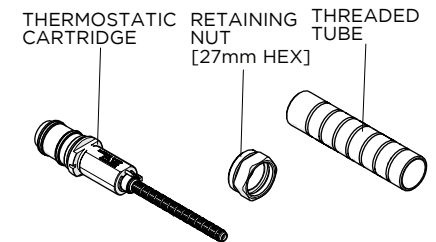
DIM	VALUE
A	4-1/2" [114mm] MAXIMUM 3-1/2" [89mm] MINIMUM

IMPORTANT: The THREE WAY DIVERTER CARTRIDGE and RETAINING NUT are packaged separately and provided with the VALVE. **SET ASIDE UNTIL FINAL TRIM INSTALLATION!**



- ‡ SERVICE PART
- THREE WAY DIVERTER CARTRIDGE KIT
STYLE No. 100240

IMPORTANT: The THERMOSTATIC CARTRIDGE, RETAINING NUT, and THREADED TUBE are packaged separately and provided with the VALVE. **SET ASIDE UNTIL FINAL TRIM INSTALLATION!**

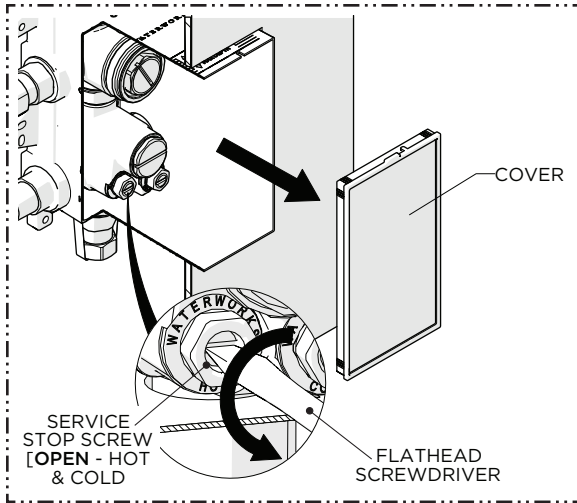


- ‡ SERVICE PART
- THERMOSTATIC CARTRIDGE KIT
STYLE No. 100219

WATERWORKS INSTALLATION GUIDELINES

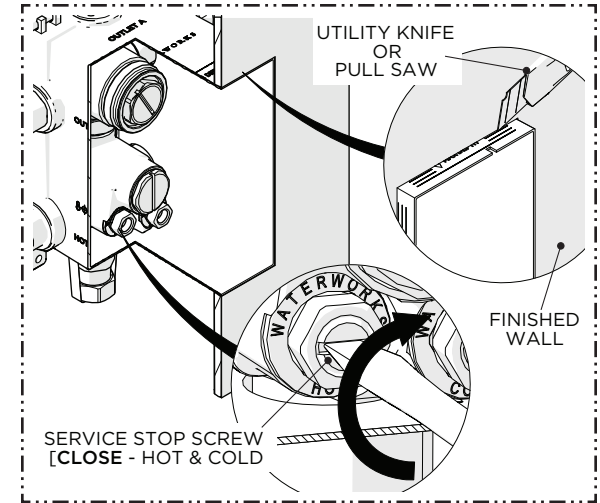
STYLE No. HGTH22, HGTH32

Highgate Integrated Thermostatic and Diverter Trim



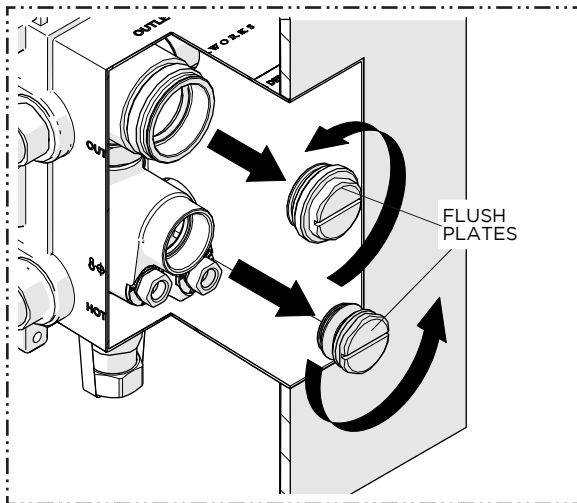
1. Turn on the water supplies then remove the COVER from the ViaBox™ and OPEN the SERVICE STOPS (hot & cold) to flush out the lines.

CAUTION: FAILURE TO FLUSH THE SUPPLY LINES WILL PERMANENTLY DAMAGE THE CARTRIDGE AND VOID THE WARRANTY! REPEAT THE FLUSHING PROCESS AS NEEDED BEFORE FINAL TRIM INSTALLATION!

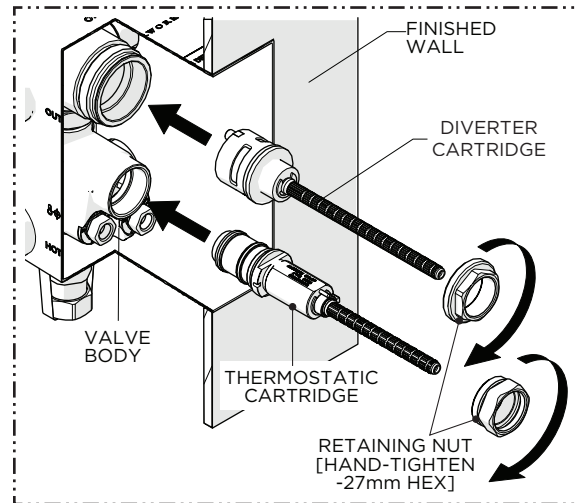


2. After the lines have been fully flushed, CLOSE the SERVICE STOPS (hot & cold) then, using a utility knife or pull saw, cut the ViaBox™ where it protrudes past the finished wall.

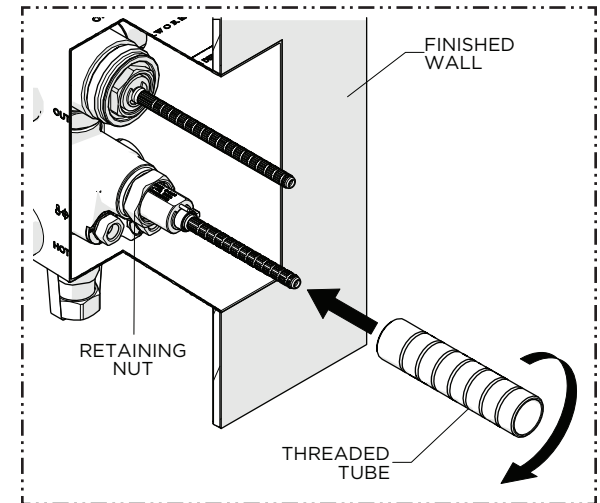
NOTE: The ViaBox™ should be flush with the finished wall.



3. Unthread and remove the FLUSH PLATES.
NOTE: Do NOT discard the FLUSH PLATES.



4. Insert the THERMOSTATIC CARTRIDGE and DIVERTER CARTRIDGE into the VALVE BODY then thread and **hand-tighten** the RETAINING NUTS into the VALVE BODY.

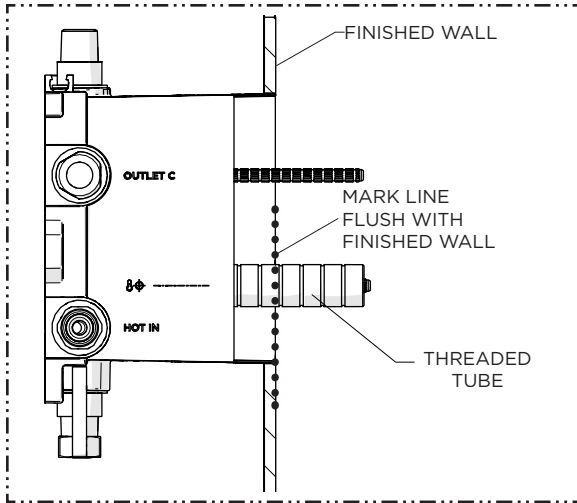


5. Thread the THREADED TUBE into the THERMOSTATIC RETAINING NUT until snug.

WATERWORKS INSTALLATION GUIDELINES

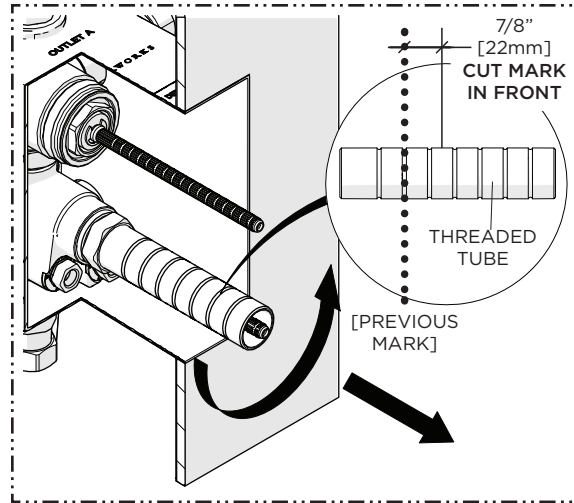
STYLE No. HGTH22, HGTH32

Highgate Integrated Thermostatic and Diverter Trim

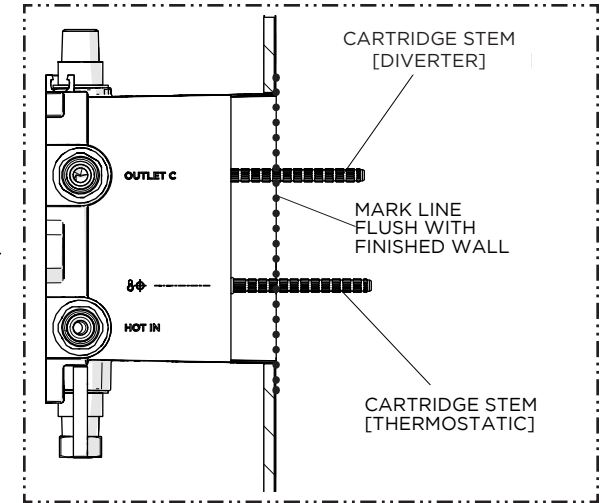


6. Mark the THREADED TUBE where it protrudes past the finished wall.

NOTE: A straight edge (not supplied) can be used to mark the THREADED TUBE.

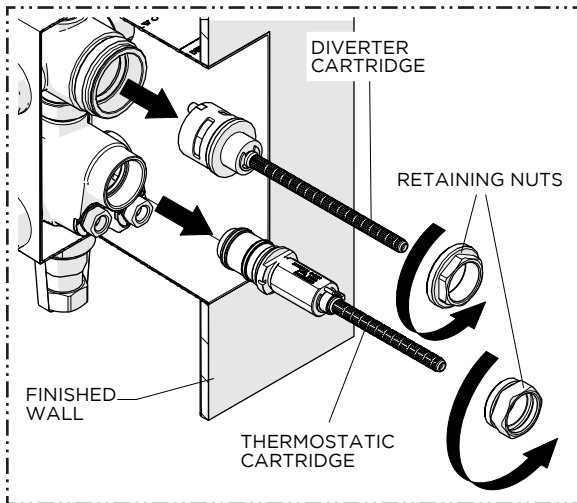


7. Remove the TUBE and cut it 7/8" [22mm] in front of the previous mark so the TUBE will protrude 7/8" [22mm] from the finished wall surface.

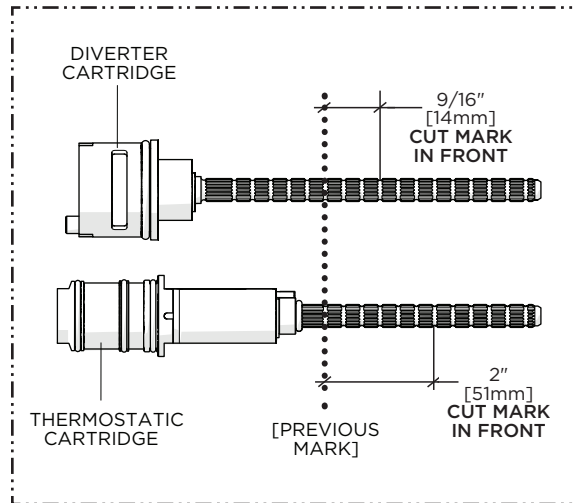


8. Mark both CARTRIDGE STEMS where they protrude past the finished wall.

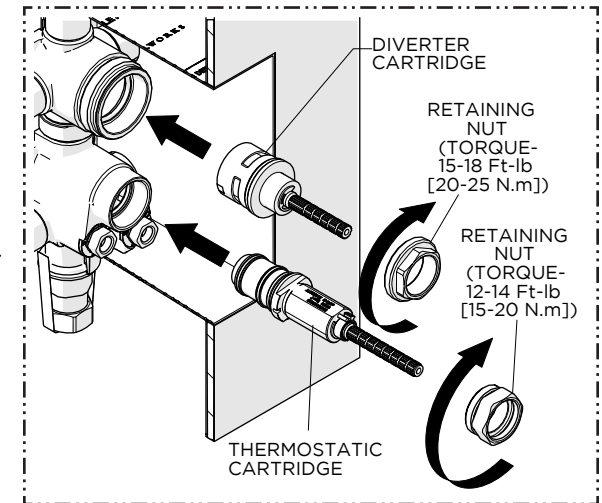
NOTE: A straight edge (not supplied) can be used to mark the CARTRIDGE STEMS.



9. Unthread both RETAINING NUTS and remove both CARTRIDGES.



10. Carefully cut the DIVERTER STEM 9/16" [14mm] in front of the previous mark and THERMOSTATIC STEM 2" [51mm] in front of the previous mark so the STEMS will protrude 9/16" [14mm] and 2" [51mm] from the finished wall surface respectively.



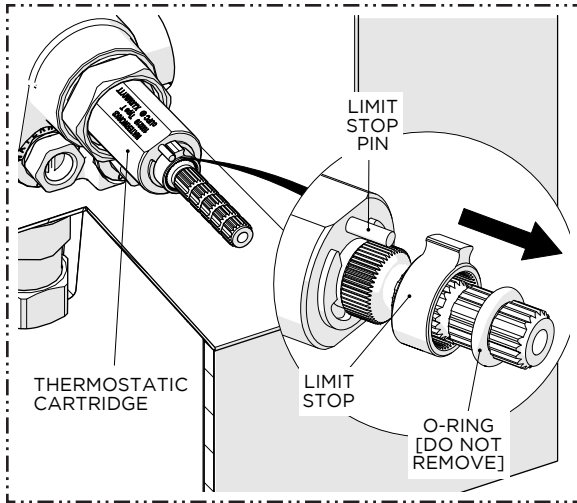
11. Insert both CARTRIDGES back into the VALVE BODY then thread and **securely** tighten the RETAINING NUTS to the specified torque settings shown.

WATERWORKS

INSTALLATION GUIDELINES

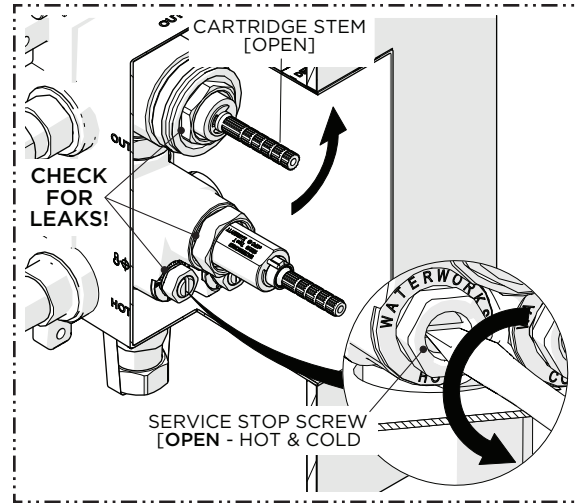
STYLE No. HGTH22, HGTH32

Highgate Integrated Thermostatic and Diverter Trim



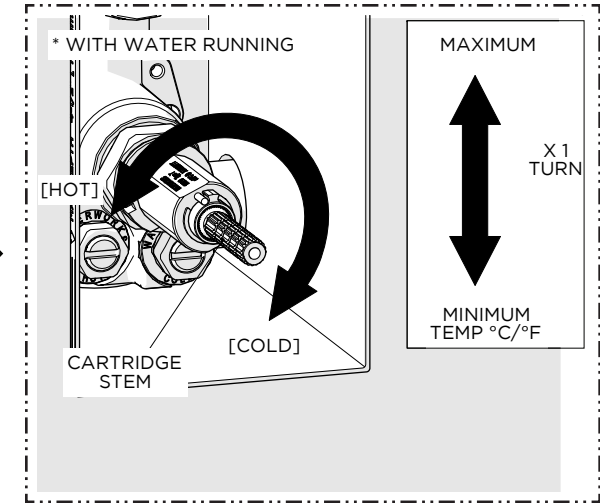
12. Slide the O-RING and LIMIT STOP on the THERMOSTATIC CARTRIDGE up the STEM.

NOTE: Do **NOT** remove or damage the O-RING.



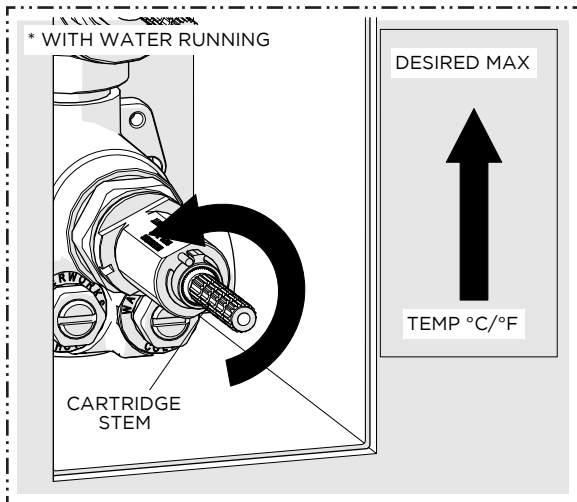
13. **OPEN** the SERVICE STOPS (hot & cold) and check for leaks.

If no leaks are found, turn the CARTRIDGE STEM counterclockwise or clockwise to open the integrated DIVERTER VALVE.

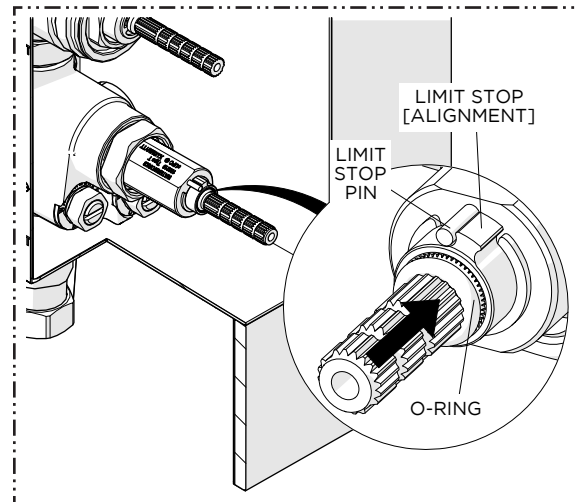


14. With water running, slowly rotate the THERMOSTATIC CARTRIDGE STEM clockwise to attain full cold then rotate it counterclockwise to attain full hot. Verify that a full range of temperatures exists.

NOTE: It's approximately 1 complete rotation.

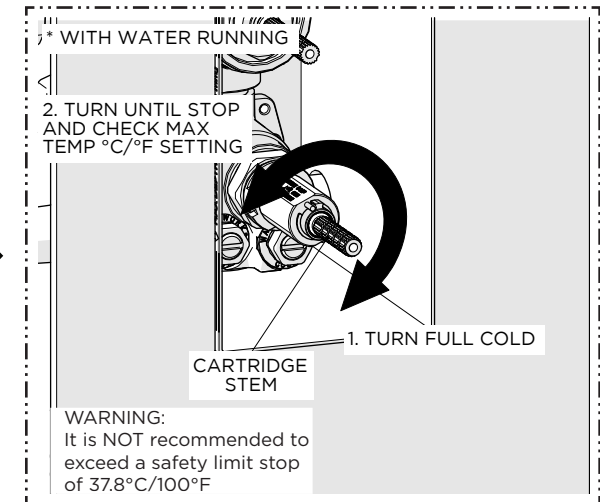


15. Rotate the THERMOSTATIC CARTRIDGE STEM to adjust the temperature to the **maximum** desired bathing temperature, verified with a thermometer, then close the DIVERTER VALVE and make sure **NOT** to change this setting.



16. Slide the LIMIT STOP and O-RING back down the STEM making sure to properly align the LIMIT STOP with the LIMIT STOP PIN.

NOTE: The O-RING will prevent the LIMIT STOP from sliding off the STEM.



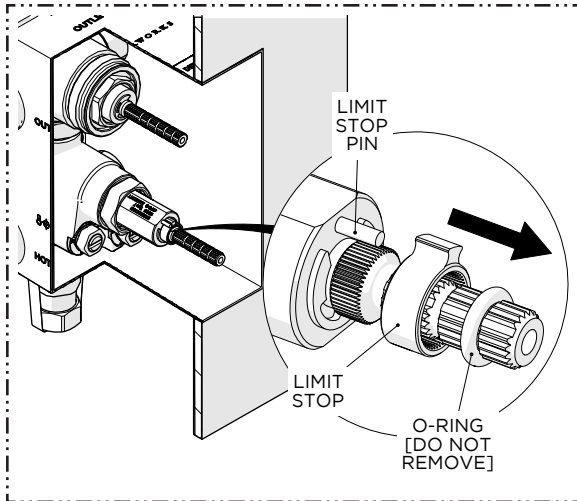
17. Re-open the DIVERTER VALVE then turn the THERMOSTATIC CARTRIDGE STEM clockwise to full cold then counterclockwise until it stops. Verify the **maximum** desired bathing temperature set in the previous step then turn the water off.

WARNING: It is **NOT** recommended to exceed a safety limit stop of 37.8°C/100°F.

WATERWORKS INSTALLATION GUIDELINES

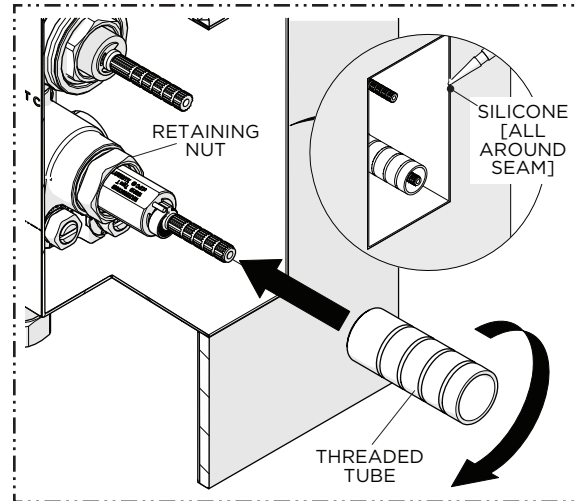
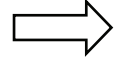
STYLE No. HGTH22, HGTH32

Highgate Integrated Thermostatic and Diverter
Trim



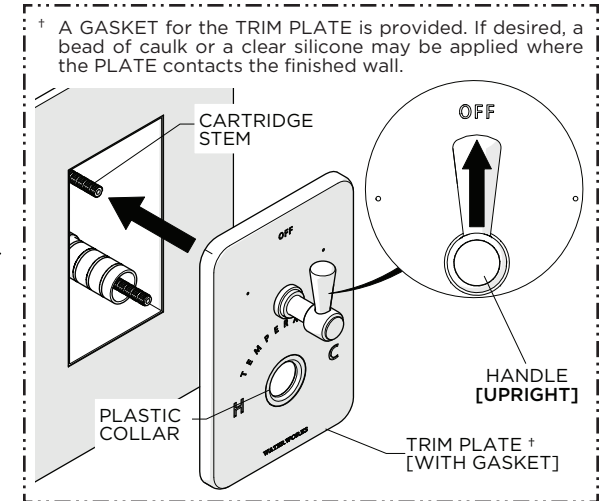
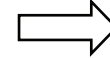
IF THE MAXIMUM BATHING TEMPERATURE IS NOT CORRECT OR NEEDS TO BE ADJUSTED:

- Slide the O-RING and LIMIT STOP back up the STEM to disengage and **REPEAT** steps 14 through 17 to re-calibrate the temperature setting.



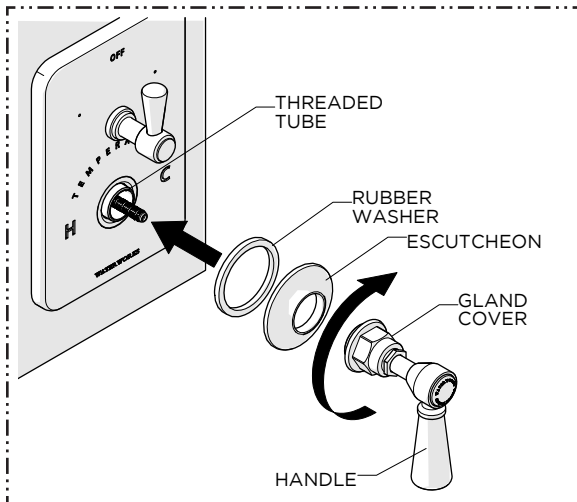
- Thread the THREADED TUBE back into the RETAINING NUT until snug.

NOTE: Add a bead of SILICONE where the ViaBox™ contacts the finished wall.



- With the DIVERTER HANDLE in an upright vertical position, slide the HANDLE onto the CARTRIDGE STEM.

NOTE: Do **NOT** remove or discard the PLASTIC COLLAR on the PLATE.



- Firmly holding the PLATE, RUBBER WASHER, and ESCUTCHEON against the finished wall, thread and securely tighten the GLAND COVER onto the THREADED TUBE.

Operate both HANDLES to ensure they function properly.