

CATIA

CI03LT

Catia Wall Mounted Double Arm Sconce with Shades



TECHNICAL DETAILS

Ambient / Task: Ambient
Bulb Type: Dedicated LED
Depth / Width: 3468 mm
Height: 6935 mm
Installation Type: Wall Mounted
Interior / Exterior Application: Interior Only
Junction Box Orientation: Vertical
Length: 7016 mm
Light Direction: Omnidirectional from wall surface
Number of Bulbs: Two
Orientation: Up
Primary Material: Brass
Safety Warnings: ALWAYS DISCONNECT THE POWER BEFORE INSTALLING AND BEFORE CLEANING OR OTHER MAINTENANCE. CONSULT A QUALIFIED, LICENSED ELECTRICIAN TO ENSURE CORRECT BRANCH CIRCUIT CONDUCTOR
Shade Finish: White or Black
Shade Material: Etched Blown Cased Glass or Metal
Shade Shape: Tapered Cylinder
Suggested Application: All Applications
Voltage: 240V
Wet / Dry: Damp or Dry

INSPIRATION

Traditional sconce lighting, reinterpreted in a modern way. In this classic design, familiar silhouettes are reduced to their minimalist essence.

CODES & STANDARDS

CE

PRODUCT FEATURES

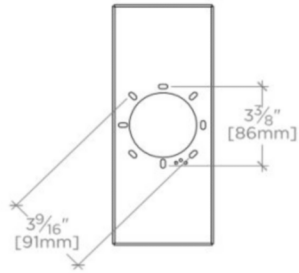
Proprietary design
Solid brass with white glass or black metal shade
CE rated
Mounts vertically
Dimmable LED fixture - 50,000 hours of life

WATERWORKS

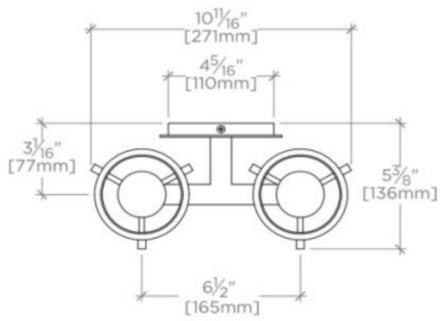
CATIA

CI03LT

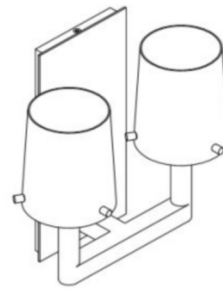
Catia Wall Mounted Double Arm Sconce with Shades



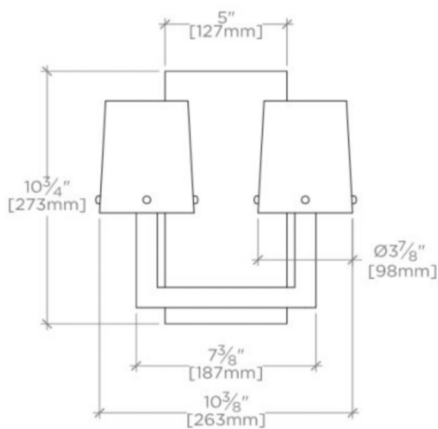
MOUNTING PLATE SCALE: 1/2"=1'-0"



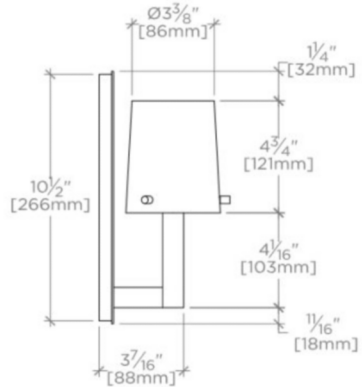
TOP VIEW SCALE: 1/2"=1'-0"



ISO VIEW SCALE: 1/2"=1'-0"



FRONT VIEW SCALE: 1/2"=1'-0"



SIDE VIEW SCALE: 1/2"=1'-0"