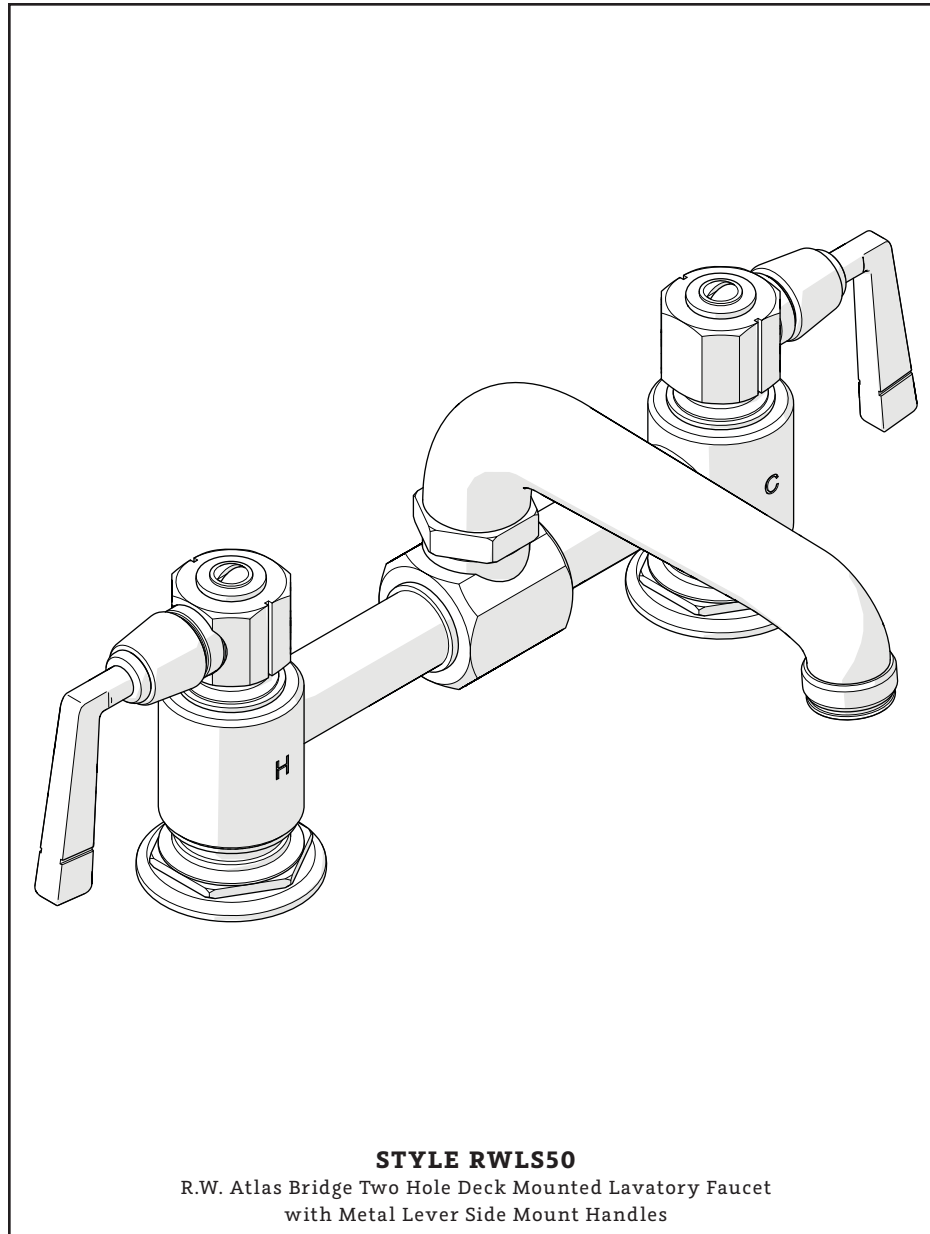




ESTB. 1978

WATERWORKS

SERVICE PARTS



STYLE RWLS50

R.W. Atlas Bridge Two Hole Deck Mounted Lavatory Faucet
with Metal Lever Side Mount Handles

WELCOME TO

WATERWORKS

For over three decades, Waterworks has transformed the bath through an absolute commitment to design authenticity, innovation and quality. A blend of scholarly appreciation and applied experience guarantees mechanical integrity, meticulous craftsmanship, and timeless designs.

**TO ORDER PARTS CALL
1 (800) 927-2120 (EXT 2)**

Order by part number and specify color, finish, or other options if required.

PRODUCT SUPPORT

Our Product Support team provides troubleshooting and technical problem resolution, including replacement parts and installation recommendations throughout the life of your product.

Product Support is available Monday through Friday, 8AM-6PM EST.

**LIMITED LIFETIME
WARRANTY**

Our warranty covers repair and replacement of Waterworks products if within the applicable coverage period and deemed defective by Waterworks. Waterworks will, at its option, repair or replace such products; this does not include installation costs, labor charges, or other incidental or consequential costs.

To obtain your complete warranty or inquire about warranty service, please visit us at www.waterworks.com or contact our Product Support Team.



ESTB. 1978

WATERWORKS

MAIN KITS

STYLES: RWLS50

*FINISH/COLOR MUST BE SPECIFIED WHEN ORDERING
++SUPPLIED AS A PAIR

105953*
SPOUT

103702
3/8" COUNTERCLOCKWISE ON
CARTRIDGE

103704*
LEVER HANDLE

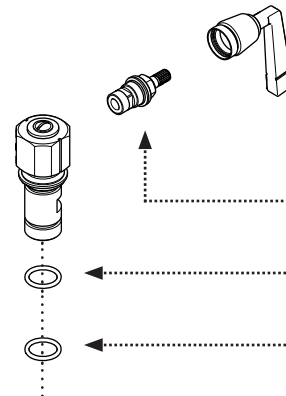
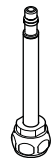
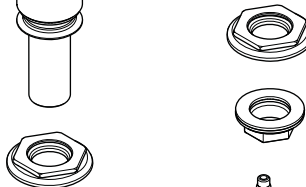
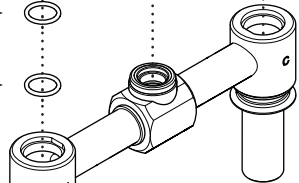
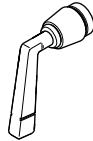
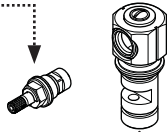
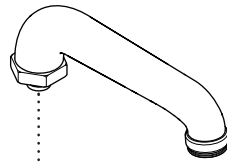
105949
SEAL KIT

105949
SEAL KIT

103722*
ESCUTCHEON

103471
MOUNTING HARDWARE

103706
SUPPLY TUBE

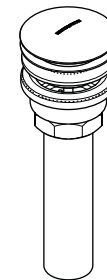


103704*
LEVER HANDLE

103703
3/8" CLOCKWISE ON CARTRIDGE

105949
SEAL KIT

105949
SEAL KIT



103693*
DRAIN

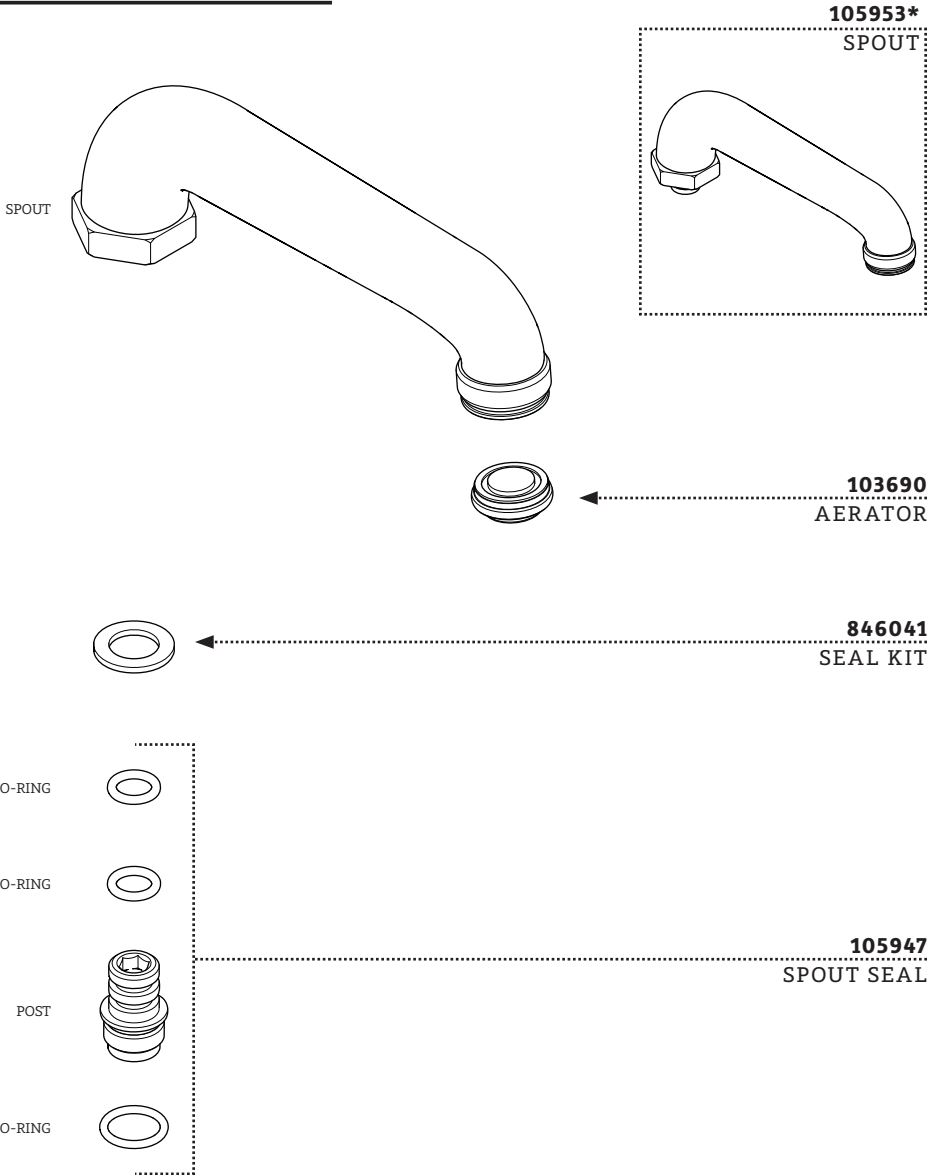


ESTB. 1978

WATERWORKS

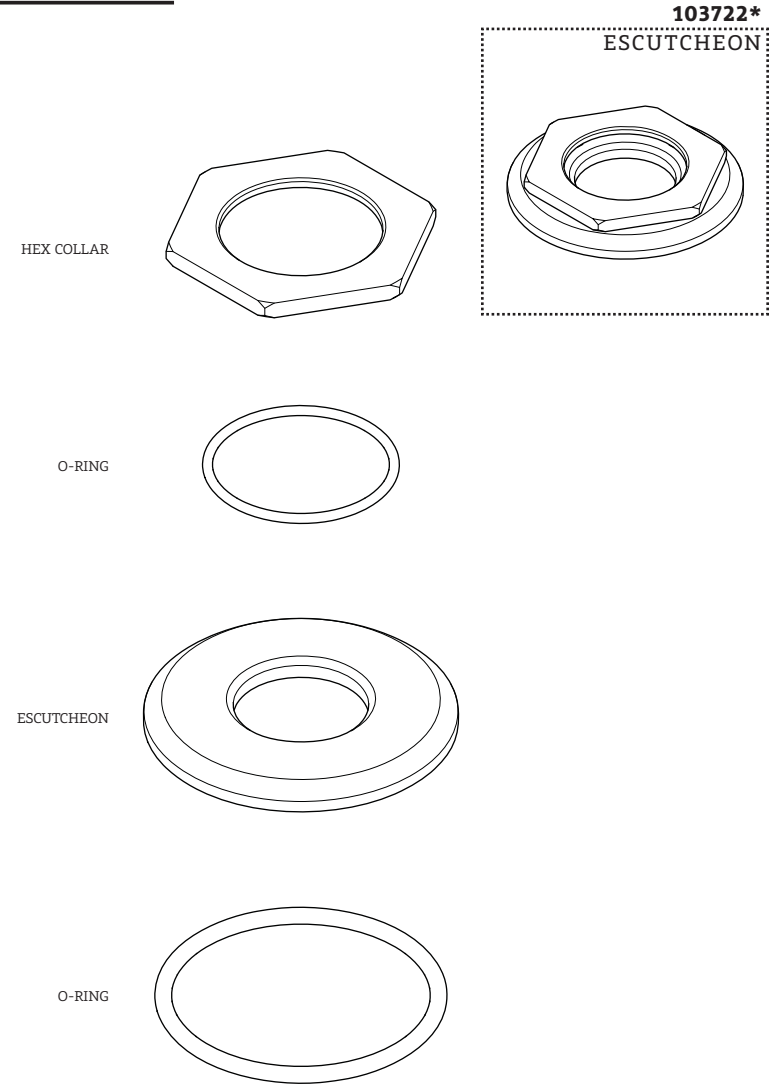
KIT COMPONENTS

STYLES: RWLS50



*FINISH/COLOR MUST BE SPECIFIED WHEN ORDERING
++SUPPLIED AS A PAIR

KIT COMPONENTS





ESTB. 1978

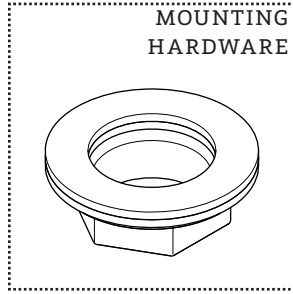
WATERWORKS

KIT COMPONENTS

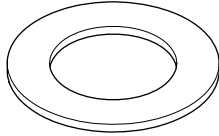
STYLES: RWLS50

103471

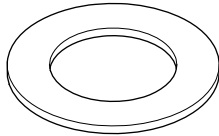
**MOUNTING
HARDWARE**



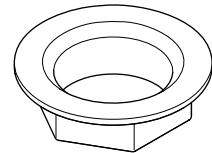
RUBBER WASHER



PLASTIC WASHER



NUT

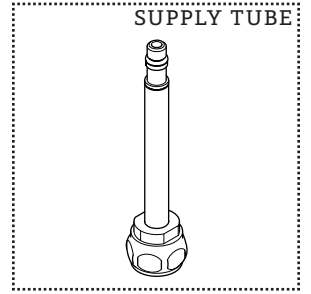


*FINISH/COLOR MUST BE SPECIFIED WHEN ORDERING
++SUPPLIED AS A PAIR

KIT COMPONENTS

103706

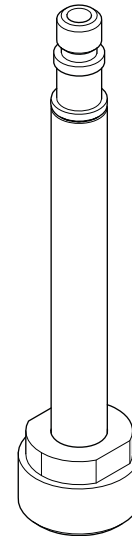
SUPPLY TUBE



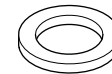
O-RING



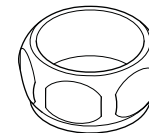
SUPPLY TUBE



RUBBER WASHER



NUT



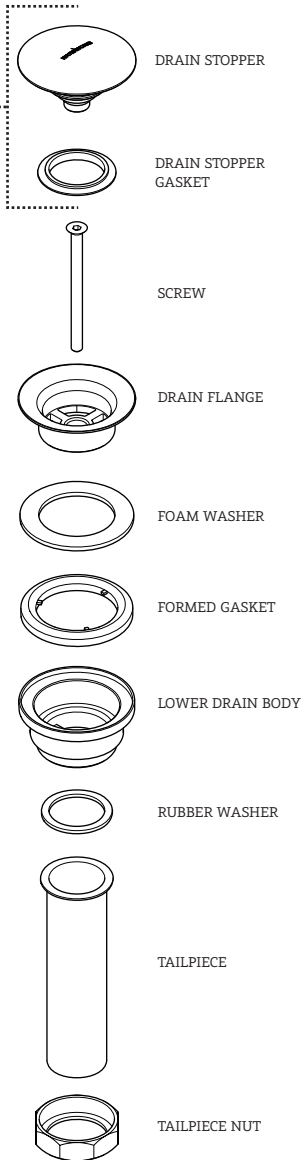


ESTB. 1978

WATERWORKS

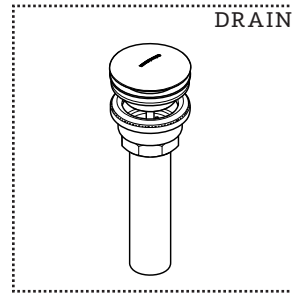
KIT COMPONENTS

103692*
DRAIN STOPPER



STYLES: RWLS50

103693*



*FINISH/COLOR MUST BE SPECIFIED WHEN ORDERING
++SUPPLIED AS A PAIR

SERVICE PARTS INDEX

| <u>STYLE</u> | <u>DESCRIPTION</u> | <u>PG</u> |
|--------------|------------------------------------|-----------|
| 103703 | 3/8" CLOCKWISE ON CARTRIDGE | 3 |
| 103702 | 3/8" COUNTERCLOCKWISE ON CARTRIDGE | 2 |
| 103690 | AERATOR | 4 |
| 103693* | DRAIN | 8 |
| 103692* | DRAIN STOPPER | 8 |
| 103722* | ESCUTCHEON | 5 |
| 103704* | LEVER HANDLE | 3 |
| 103471 | MOUNTING HARDWARE | 6 |
| 105949 | SEAL KIT | 3 |
| 846041 | SEAL KIT | 4 |
| 105953* | SPOUT | 4 |
| 105947 | SPOUT SEAL | 4 |
| 103706 | SUPPLY TUBE | 7 |

DOCUMENT: SPRW03_REV01



ESTB. 1978

WATERWORKS

PRODUCT SUPPORT

60 BACKUS AVENUE
DANBURY, CT 06810

1 (800) 927-2120 (EXT 2)

WWW.WATERWORKS.COM