

Regulator

RGLS71

Regulator Wall Mounted Lavatory Faucet with Trim Plate and Lever Handles



SHOWN IN REGULATOR WALL MOUNTED LAVATORY FAUCET WITH TRIM PLATE AND LEVER HANDLES | RGLS71

TECHNICAL DETAILS

ADA Compliance: Yes
 Depth/Width: 225 mm
 Drain Depth Minimum: 10 mm
 Drain Hole Diameter: 44 mm
 Drain Style: Push Touch
 Escutcheon Primary Material: Brass
 Fittings Hole Diameter: 35 mm
 Flow Restriction Options: 1.0, 1.2, 1.5, 1.75, 2.13
 Handle Spread Maximum: 203 mm
 Handle Spread Minimum: 203 mm
 Handle Turn Angle: Quarter Turn
 Height: 127 mm
 Inlet Connection Size: 1/2"
 Inlet Connection Type: Female NPT
 Inlet Supply Spread Maximum: 203 mm
 Inlet Supply Spread Minimum: 203 mm
 Length: 321 mm
 Number Of Holes: Three Hole
 Primary Material: Brass
 Restricted Maximum Flow Rate: 4.5 liters/min
 Spout Swivel: N
 Suggested Application: Bath
 Water Pressure Maximum: 6.0 bar
 Water Pressure Minimum: 1.5 bar
 Water Pressure Recommended: 3.0 bar

INSPIRATION

A play on industrial controls from the early 1900s, when pride was lavished on parts. Translated to handcrafted, fittings project rugged beauty through powerful, detailed shapes.

CODES & STANDARDS

RGLS71-F.RX, NSF/ANSI/CAN 61:Q < 1, NSF/ANSI/CAN 372, ASME A112.18.1/CSA B125.1, WaterSense(1.0GPM and 1.2GPM Only), CEC, DOE, State of MA

PRODUCT FEATURES

Lever Handles

Includes Universal Push-Touch Drain (UNLD23) which fits 1-1/2" through 1-3/4" drain hole openings

Stocked in Nickel and Brass

Available in 1.2gpm (4.5L/min) flow rate

CERTIFICATIONS

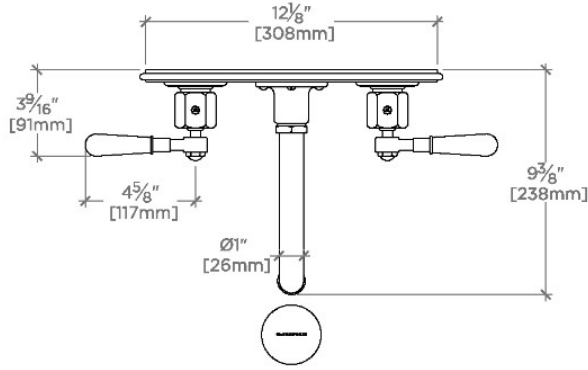


PRODUCT (NOTES)

Regulator

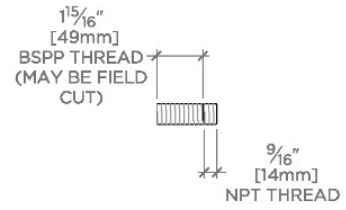
RGLS71

Regulator Wall Mounted Lavatory Faucet with Trim Plate and Lever Handles

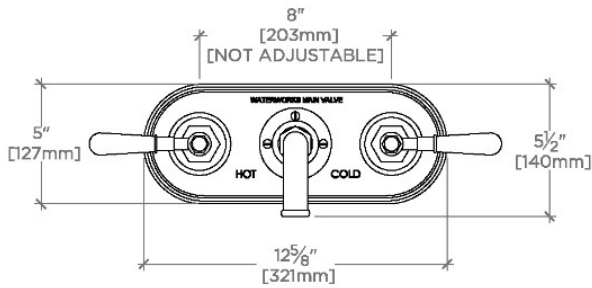


TOP VIEW

SCALE: 1 1/2" = 1'-0"

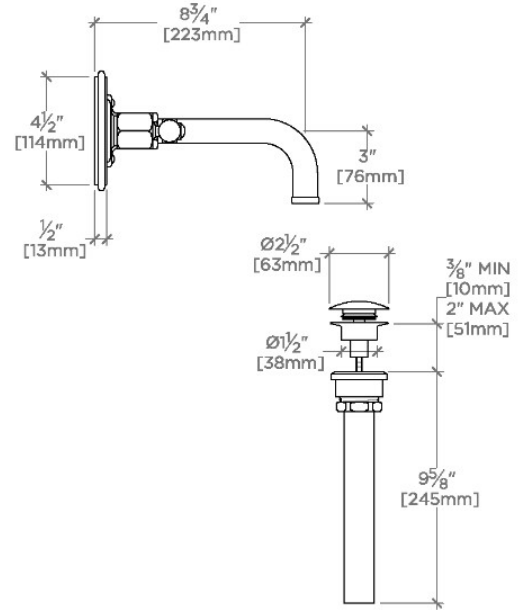


ADAPTER INCLUDED-INTERNATIONAL USE ONLY



FRONT VIEW

SCALE: 1 1/2" = 1'-0"



SIDE VIEW

SCALE: 1 1/2" = 1'-0"