

Henry

HTH111

Henry Thermostatic Control Valve Trim with Lever Handle



SHOWN IN HENRY THERMOSTATIC CONTROL VALVE TRIM WITH LEVER HANDLE | HTH111

TECHNICAL DETAILS

ADA Compliance: Yes
 Integrated Diverter: N
 Number Of Holes: One Hole
 Primary Material: Brass

INSPIRATION

Celebrating the connection of industry and art, Henry transitions effortlessly between modern, traditional, and classic settings. These iconic fittings blend 19th-century industrial and artistic references for a look that's forever of the moment—familiar yet wholly original.

CODES & STANDARDS

ASME A112.18.1/CSA B125.1, State of MA

PRODUCT FEATURES

Lever Handle

Allows Bather to Adjust Temperature of All Waterway Outlets

Features Anti-Scald Protection Through an Integrated High Limit Safety Stop

Stocked in Chrome, Nickel, Brass and Dark Nickel

Requires Rough Valve, Sold Separately: GUTH60 (1/2") or GUTH37 (3/4")

CERTIFICATIONS

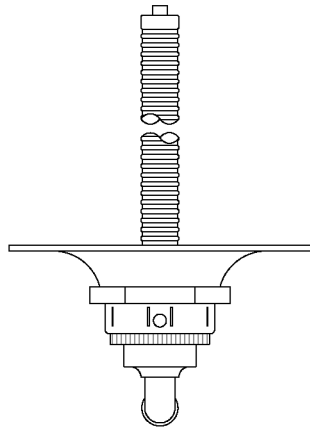


PRODUCT (NOTES)

Henry

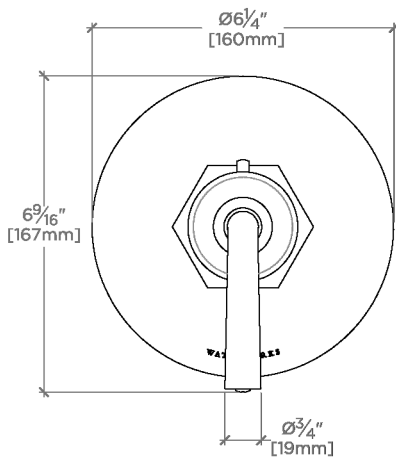
HTH111

Henry Thermostatic Control Valve Trim with Lever Handle



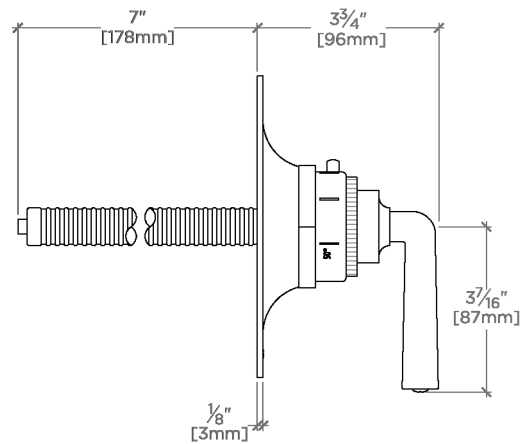
TOP VIEW

SCALE: 3"=1'-0"



FRONT VIEW

SCALE: 3"=1'-0"



SIDE VIEW

SCALE: 3"=1'-0"