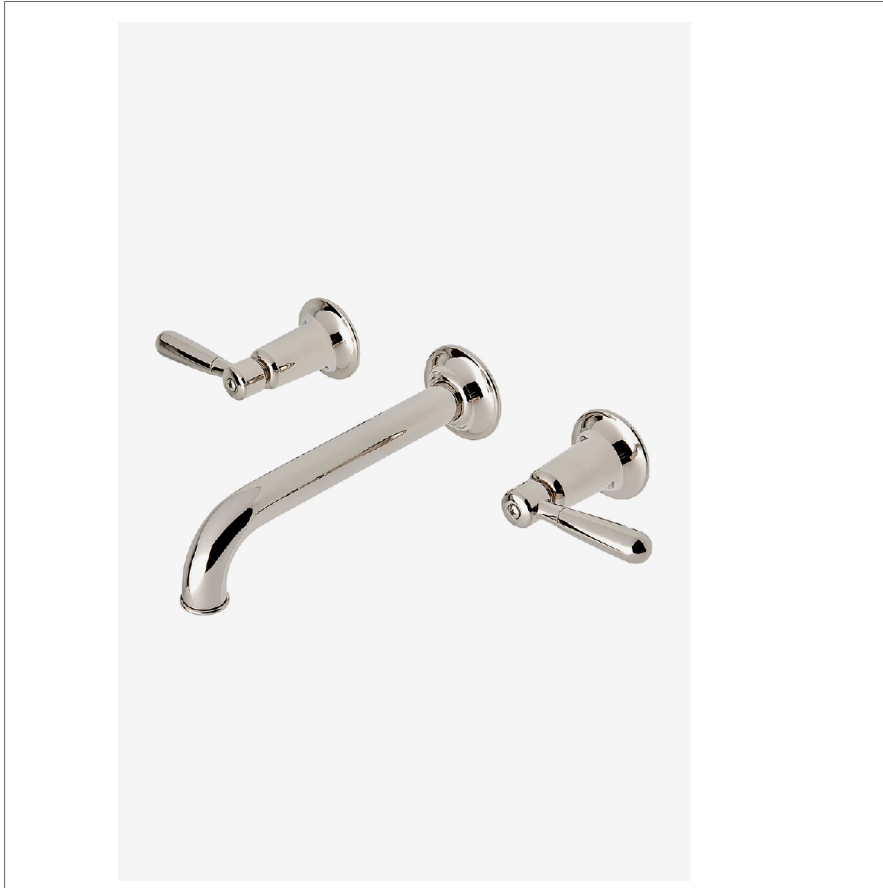


## Riverun

RRLS71

Riverun Wall Mounted Lavatory Faucet with Lever Handles



SHOWN IN RIVERUN WALL MOUNTED LAVATORY FAUCET WITH LEVER HANDLES | RRLS71

### TECHNICAL DETAILS

ADA Compliance: Yes  
 Drain Depth Maximum: 51 mm  
 Drain Depth Minimum: 10 mm  
 Drain Hole Diameter: 38 mm  
 Drain Style: Push Touch  
 Fittings Hole Diameter: 35 mm  
 Flow Restriction Options: 1.2  
 Handle Spread Maximum: 203 mm  
 Handle Turn Angle: Quarter Turn  
 Inlet Connection Size: 1/2"  
 Inlet Connection Type: Female NPT  
 Inlet Supply Spread Maximum: 203 mm  
 Number Of Holes: Three Hole  
 Primary Material: Brass  
 Restricted Maximum Flow Rate: 4.5 liters/min  
 Spout Swivel: N  
 Water Pressure Maximum: 6.0 bar  
 Water Pressure Minimum: 1.5 bar  
 Water Pressure Recommended: 3.0 bar

### INSPIRATION

This new American classic was designed with simplicity in mind. Featuring streamlined forms and honest details, it's the epitome of quiet elegance.

### CODES & STANDARDS

RRLS71X, NSF/ANSI/CAN 61:Q < 1, NSF/ANSI/CAN 372, ASME A112.18.1/CSA B125.1, CEC, State of MA

### PRODUCT FEATURES

Features Lever Handles

Includes Universal Push-Touch Drain (UNLD23) which fits 1-1/2" through 1-3/4" drain hole openings

Stocked in Nickel and Brass

Available in 1.2gpm (4.5L/min) flow rate; Requires valve, sold separately: GULV25 (USA) or GU25LV (UK/International)

### CERTIFICATIONS



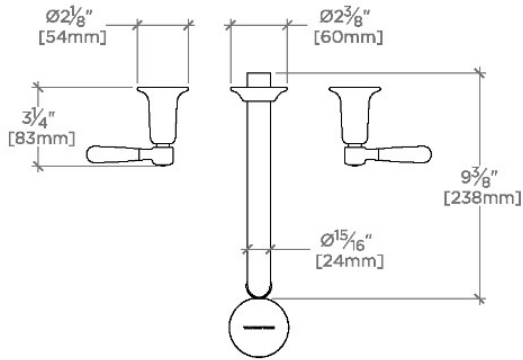
### PRODUCT (NOTES)

# WATERWORKS

## Riverun

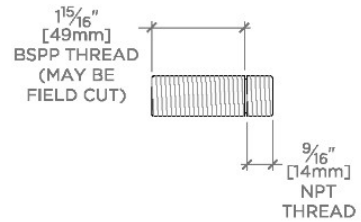
RRLS71

Riverun Wall Mounted Lavatory Faucet with Lever Handles

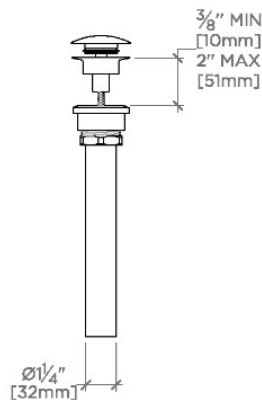
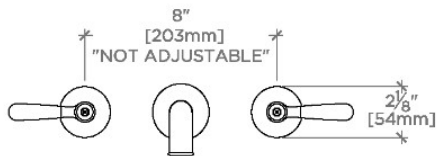


TOP VIEW

SCALE: 1/2"=1'-0"

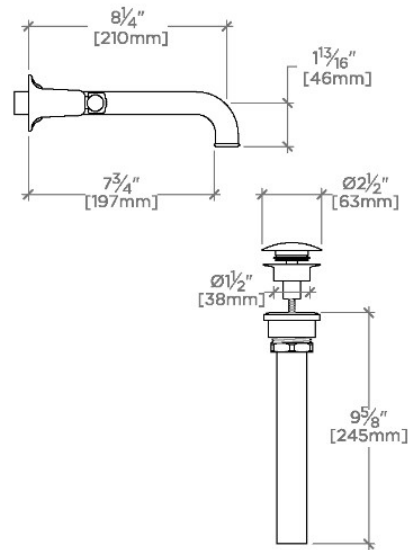


ADAPTER INCLUDED - INTERNATIONAL USE ONLY



FRONT VIEW

SCALE: 1/2"=1'-0"



SIDE VIEW

SCALE: 1/2"=1'-0"