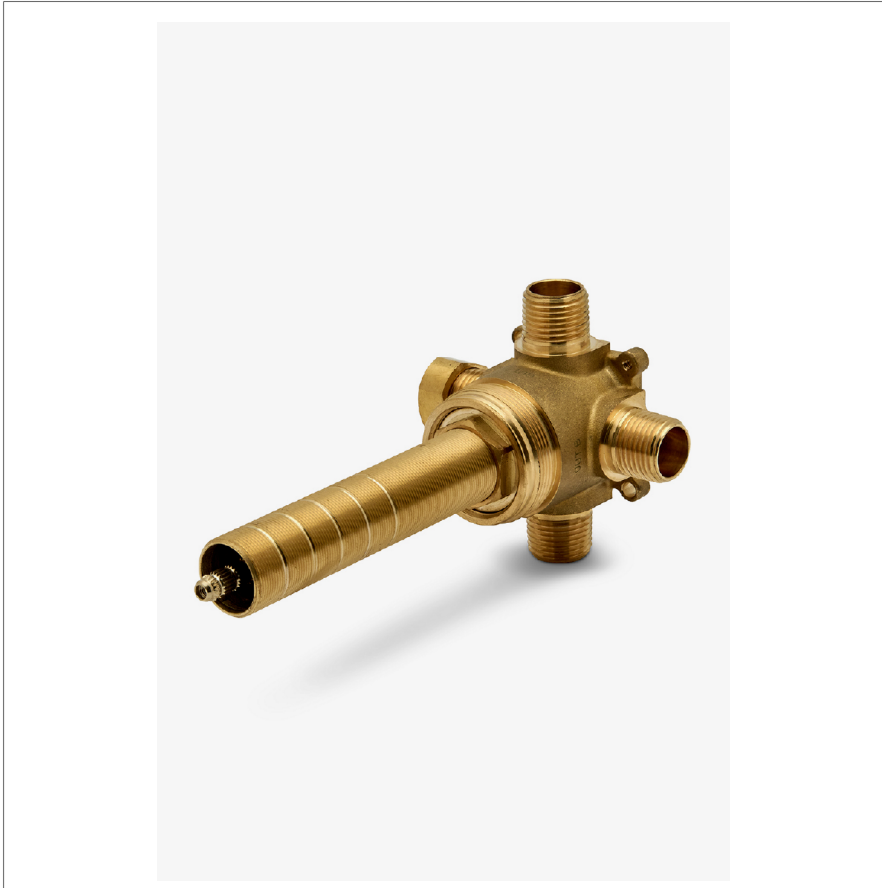


VIAWORKS

GUDV2P

ViaWorks Two Way Diverter Valve for Pressure Balance Shower Systems



SHOWN IN VIAWORKS TWO WAY DIVERTER VALVE FOR PRESSURE BALANCE SHOWER SYSTEMS | GUDV2P

TECHNICAL DETAILS

Fittings Hole Diameter: 2"
Handle Turn Angle: Quarter Turn
Inlet Connection Size: 1/2"
Inlet Connection Type: Male NPT
Outlet Connection Size: 1/2"
Outlet Connection Type: Male NPT
Primary Material: Brass
Valve Material: Ceramic
Water Pressure Maximum: 85.0 psi
Water Pressure Minimum: 20.0 psi
Water Pressure Recommended: 45.0 psi

INSPIRATION

The ViaWorks collection encompasses all Waterworks valves, which are just as impeccably engineered as our legendary fittings and the finest the industry has to offer in terms of performance, features and functionality. ViaWorks valves are engineered with more than three generations of bath and kitchen expertise, each with installers and lifelong service in mind.

CODES & STANDARDS

ASME A112.18.1/CSA B125.1

PRODUCT FEATURES

For use with Pressure Balance systems with two-way diverter valve trims

1/2" NPT female inlet and outlet with quarter turn functionality

16 gpm (gallons per minute) unrestricted maximum flow at 60 psi

Custom tile guard ensures precise tiling, while providing accessibility in servicing the valve.

Made in Europe of Brass Construction

CERTIFICATIONS

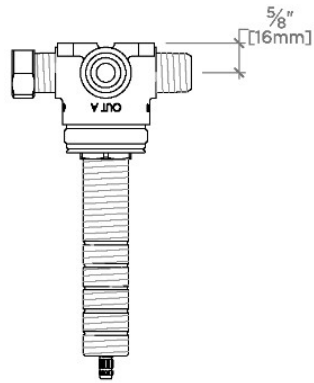


PRODUCT (NOTES)

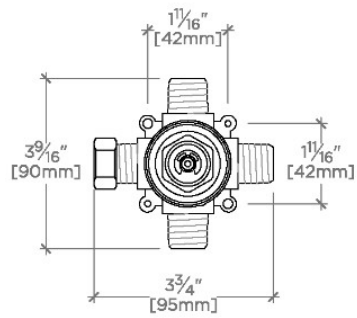
VIAWORKS

GUDV2P

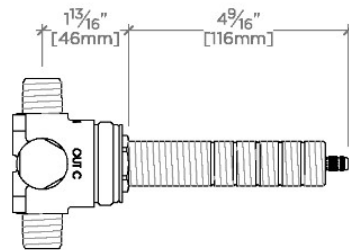
ViaWorks Two Way Diverter Valve for Pressure Balance Shower Systems



TOP VIEW SCALE: 3"=1'-0"



FRONT VIEW SCALE: 3"=1'-0"



SIDE VIEW SCALE: 3"=1'-0"