

## LUDLOW

LD50XT

Ludlow Deck Mounted Low Profile Exposed Tub Filler with Metal Handshower and Metal Lever Handles



SHOWN IN LUDLOW DECK MOUNTED EXPOSED TUB FILLER WITH HANDSHOWER AND METAL LEVER HANDLES| LDXT50

### TECHNICAL DETAILS

Adjustable versus Fixed Spray: Fixed Spray  
Deck Thickness Maximum: 51 mm  
Deck Thickness Minimum: 10 mm  
Diameter of Head: 52 mm  
Diameter of Legs / Tubes: 37 mm  
Escutcheon Primary Material: Brass  
Fittings Hole Diameter: 32 mm  
Handle Spread Maximum: 203 mm  
Handle Spread Minimum: 203 mm  
Handle Turn Angle: Quarter Turn  
Handshower / Spray Hose Length: 1.7 m  
Depth / Width: 259 mm  
Height: 322 mm  
Inlet Connection Size: 3/4"  
Inlet Connection Type: Male G/BSPP  
Inlet Supply Spread Maximum: 203 mm  
Inlet Supply Spread Minimum: 203 mm  
Installation Type: Deck Mounted  
Integrated Diverter: N  
Integrated Spray: N  
Length: 430 mm  
Number of Handles: Two  
Number of Holes: Two Hole  
Pivot: N  
Primary Material: Brass  
Restricted Maximum Flow Rate: 7.6 liters/min  
Spout Reach: 8 1/2"  
Spout Swivel: N  
Spray Included in Unit: N  
Suggested Application: Bath  
Valve Material: Ceramic  
Water Pressure Maximum: 5.5 bar  
Water Pressure Minimum: 1.5 bar  
Water Pressure Recommended: 3.0 bar

### INSPIRATION

A touch of classic Americana. Our fresh take on iconic industrial design has clean lines and dimensional details, including exposed screws and square plates.

### PRODUCT FEATURES

Unrestricted (spout) water flow of approximately 12 gallons per minute (gpm) and handshower water flow of 2.0 gpm

This item is stocked in a Chrome, Nickel and Unlacquered Brass finishes.

Includes deck unions

Diverter button allows bather to move water from spout to handshower

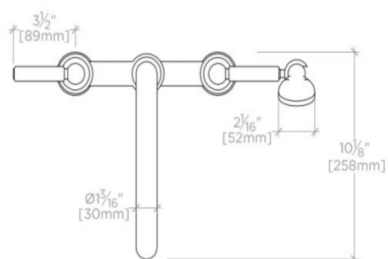
Handshower is easy and comfortable to grip.

# LUDLOW

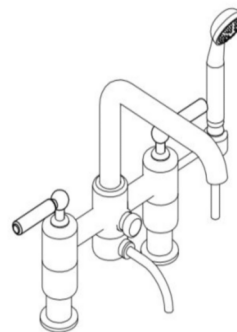
# LD50XT

Ludlow Deck Mounted Low Profile Exposed Tub Filler with Metal Handshower and Metal Lever Handles

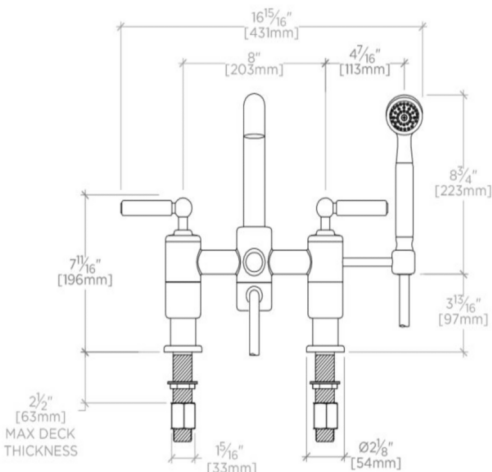
ADAPTER(S) PACKAGED SEPARATELY		
ADAPTER	DESCRIPTION	QTY
UNUK05	3/4" NPT Female x 3/4" Male BSP	2



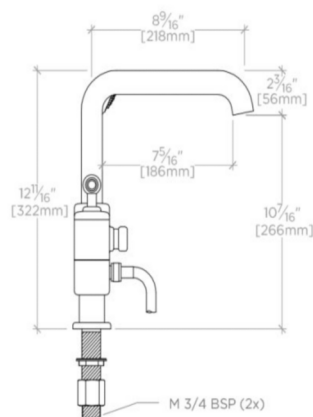
TOP VIEW SCALE: 1/2"=1'-0"



ISO VIEW SCALE: 1/2"=1'-0"



FRONT VIEW SCALE: 1/2"=1'-0"



SIDE VIEW SCALE: 1/2"=1'-0"