

EMPIRE

Empire 71" x 34 1/2" x 24" Freestanding Rectangular Bathtub

EMBT01



SHOWN IN EMPIRE 71" X 34 1/2" X 24" FREESTANDING RECTANGULAR BATHTUB| EMBT01

TECHNICAL DETAILS

ADA Compliance: No
Adjustable Levelers / Feet: N
Assembly / Configuration: One Piece
Bathing Type: Bathing and Soaking
Bathing Well Sitting Angle: 110 degree_angle
Bottom Angle / Pitch: 1.5 degree_angle
Drilling Option: None
Installation Notes: Recommended Waste & Overflow Style #
EMW002
Depth / Width: 864 mm
Height: 610 mm
Installation Type: Freestanding
Item Weight (Filled): 390.542712 kg
Length: 1778 mm
Material / Wall Thickness: 6 mm
Number of Holes: Two Hole
Overflow Opening: Yes
Primary Material: Fiberglass
Single or Double Ended: Double Ended
Suggested Application: Bath

INSPIRATION

The Empire collection makes a bold statement; designed as an adaptation of styles popular in England and France during the late 19th century.

CODES & STANDARDS

Code # EMBT01: UL, cUL, State of MA, City of LA

PRODUCT FEATURES

Our Empire tubs are made of fiberglass materials; the exact materials are a trade secret.

Thermal insulation helps maintain water temperature

The interior and exterior are hand finished.

The luxurious depth and essential simplicity of the interior bathtub allows complete comfort for one or two bathers.

CERTIFICATIONS



PRODUCT (NOTES)

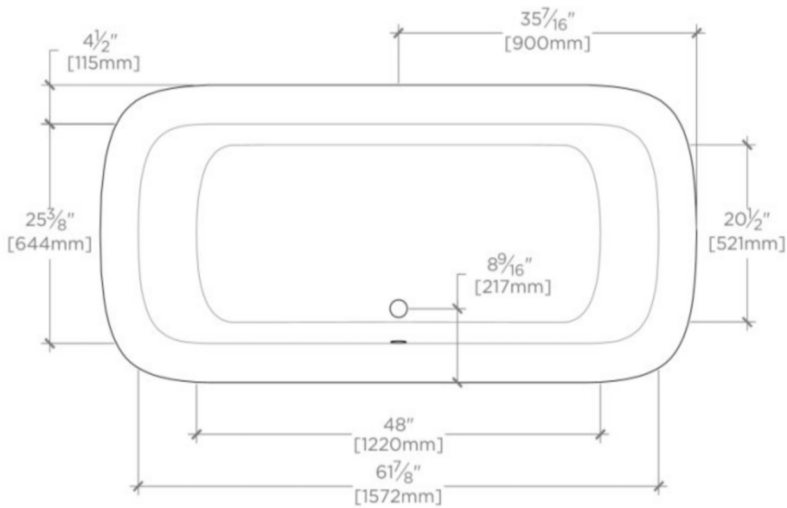
Dimensions of fixtures are nominal. Measure your actual product for rough-in details.

WATERWORKS

EMPIRE

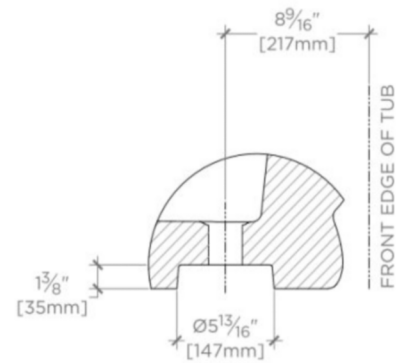
EMBT01

Empire 71" x 34 1/2" x 24" Freestanding Rectangular Bathtub



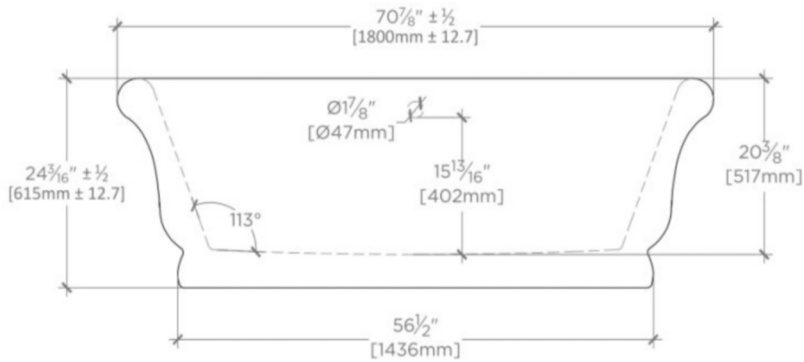
TOP VIEW

SCALE: 1/2"=1'-0"



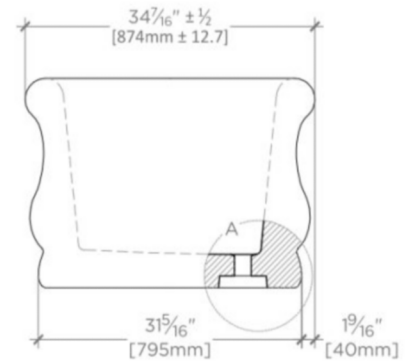
DETAIL:A

SCALE: 1"=1'-0"



SIDE VIEW

SCALE: 1/2"=1'-0"



END VIEW

SCALE: 1/2"=1'-0"