

## AUDRA

AUCP01

Audra Deck Mounted Marble Lavatory Sink 36" x 22 3/4" x 6"  
with 36" x 8" x 3/4" Backsplash and Tapered Pedestal 12" x 8  
3/4" x 27"



SHOWN IN AUDRA DECK MOUNTED MARBLE LAVATORY SINK 36" X 22 3/4" X 6" WITH 36" X 8" X 3/4" BACKSPLASH AND TAPERED PEDESTAL 12" X 8 3/4" X 27" | AUCP01

### TECHNICAL DETAILS

Depth To Overflow: 3.385"  
Drain Hole Depth: 1 7/8"  
Drain Hole Diameter: 1 3/4"  
Drain Style: Center Drain  
Fittings Hole Diameter: 1 3/8"  
Overflow Opening: Yes

### INSPIRATION

Hand-carved from a single block of Italian stone, Audra embodies traditional, tailored allure. Its distinctive scalloped corners echo from the sink deck to the backsplash, creating visual continuity and balance.

### CODES & STANDARDS

### PRODUCT FEATURES

Designed by and exclusive to Waterworks

Sourced and made in Italy

Carved from a solid block of stone. Packaged item weight: 427 lbs

Comes pre-cut for deck-mounted faucet and handles

Features an integrated overflow

### CERTIFICATIONS

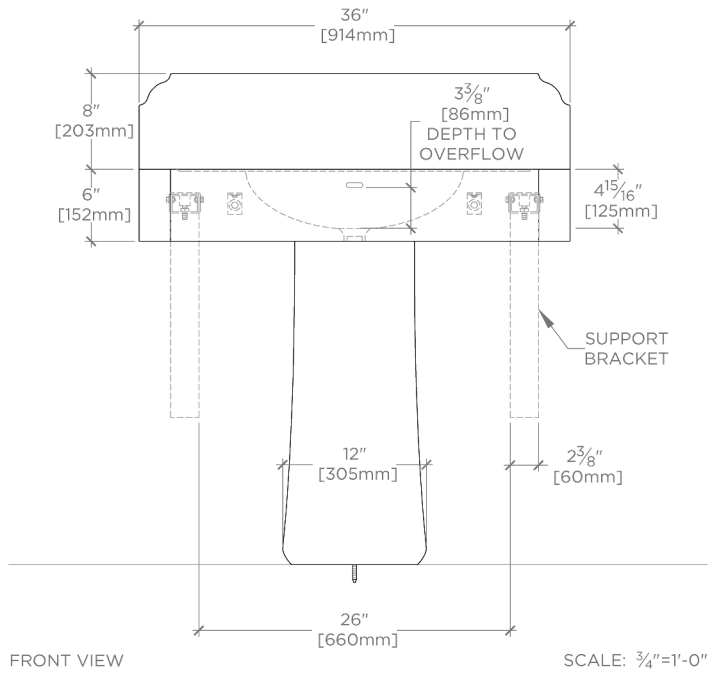
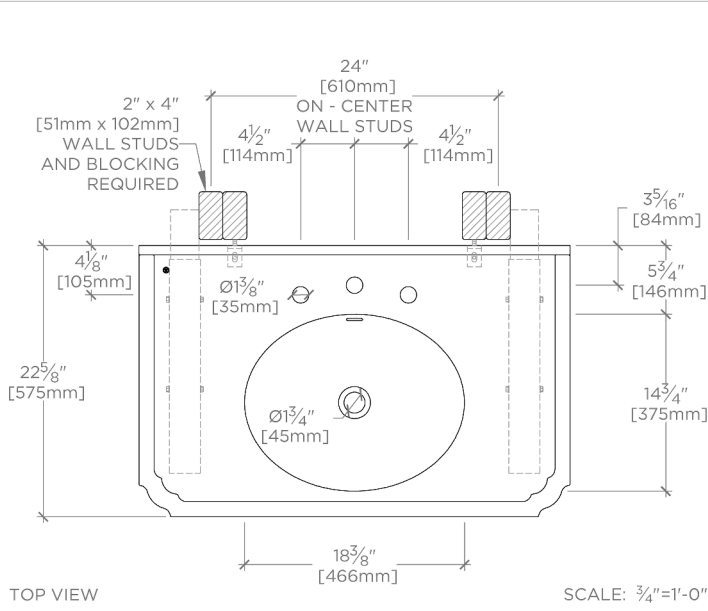
### PRODUCT (NOTES)

# WATERWORKS

## AUDRA

## AUCP01

Audra Deck Mounted Marble Lavatory Sink 36" x 22 3/4" x 6"  
with 36" x 8" x 3/4" Backsplash and Tapered Pedestal 12" x 8  
3/4" x 27"



REQUIRED MOUNTING HARDWARE (SOLD SEPARATELY)

STYLE: 106803

DESCRIPTION: UNIVERSAL PAIR (L/R) 22" STAINLESS STEEL ADJUSTABLE CONCEALED SUPPORT BRACKETS, WALL SUPPORT BRACKETS AND HARDWARE FOR WALL MOUNTED STONE SINK.

NOTE: THE SINK WILL BE SUPPORTED BY THE BRACKETS AND NOT THE PEDESTAL. ENSURE THE SINK IS NOT RESTING ON THE PEDESTAL TO AVOID DAMAGE.

