

HENRY CHRONOS

CKM314

Henry Chronos Three Hole Gooseneck Kitchen Faucet with Walnut Lever Handles and Spray



SHOWN IN HENRY CHRONOS THREE HOLE GOOSENECK KITCHEN FAUCET WITH WALNUT LEVER HANDLES AND SPRAY | CKM314

TECHNICAL DETAILS

ADA Compliance: Yes
 Deck Thickness Maximum: 1 1/16"
 Deck Thickness Minimum: 5/16"
 Fittings Hole Diameter: 1 3/8"
 Handle Turn Angle: Quarter Turn
 Handshower Spray Hose Length: 59"
 Inlet Connection Size: 1/2"
 Inlet Connection Type: Male with Supply Nut
 Restricted Maximum Flow Rate: 1.75 gpm
 Spout Swivel: Y
 Spray Included In Unit: Y
 Valve Material: Brass and Ceramic
 Water Pressure Maximum: 85.0 psi
 Water Pressure Minimum: 20.0 psi
 Water Pressure Recommended: 45.0 psi

INSPIRATION

Inspired by dive watches, Henry Chronos radiates design prowess and technical precision. Chronos retains the design integrity of our original, iconic Henry collection, while imbuing it with modern details and exquisite materials.

CODES & STANDARDS

CKM314X, NSF/ANSI/CAN 61:Q < 1, NSF/ANSI/CAN 372, ASME A112.18.1/CSA B125.1

PRODUCT FEATURES

Features Lever Handles

Stocked in Chrome, Nickel, and Brass

Available in 1.75 gpm (6.6 L/min) flow rate

Single function sidespray

CERTIFICATIONS



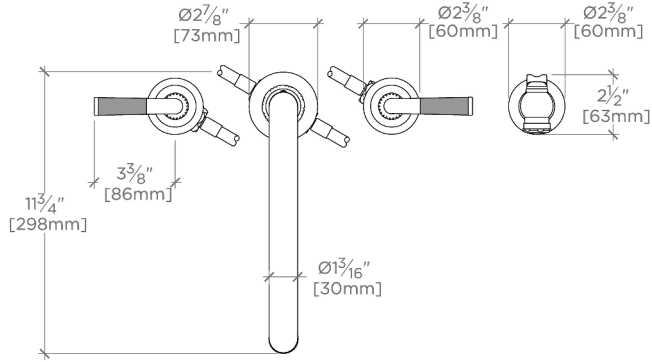
PRODUCT (NOTES)

WATERWORKS

HENRY CHRONOS

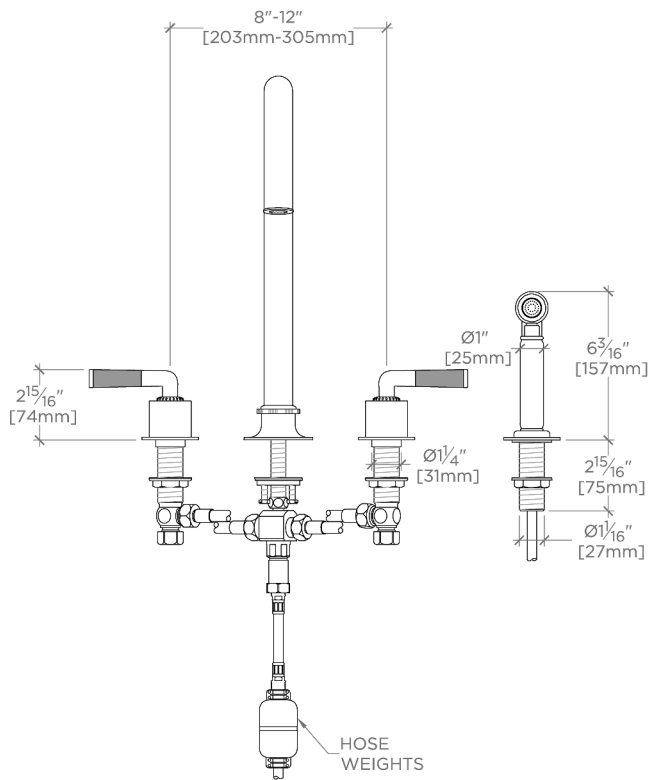
CKM314

Henry Chronos Three Hole Gooseneck Kitchen Faucet with Walnut Lever Handles and Spray



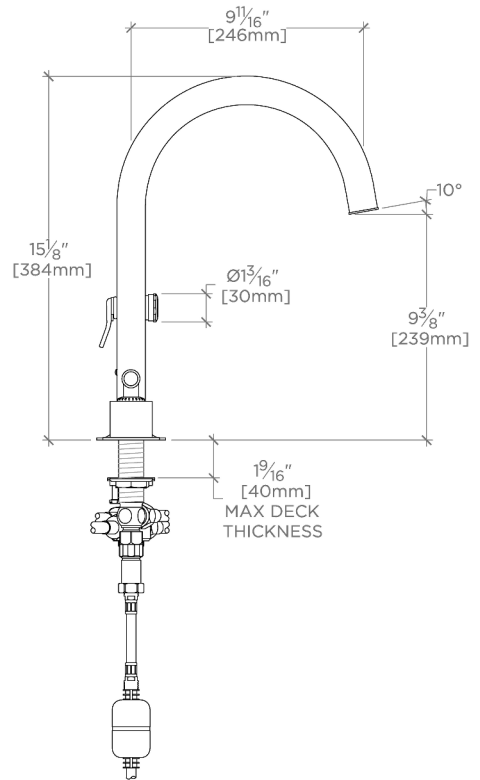
TOP VIEW

SCALE: $1\frac{1}{2}"=1'-0"$



FRONT VIEW

SCALE: $1\frac{1}{2}"=1'-0"$



SIDE VIEW

SCALE: $1\frac{1}{2}"=1'-0"$