

FLYTE

Flyte Handshower On Bar

FLHS10



SHOWN IN FLYTE HANDSHOWER ON BAR | FLHS10

TECHNICAL DETAILS

Adjustable Versus Fixed Spray: Fixed Spray
 Depth/Width: 3 9/16"
 Diameter Of Head: 2 3/8"
 Escutcheon Primary Material: Brass
 Fittings Hole Diameter: 1 1/4"
 Flow Restriction Options: 1.75
 Handshower Spray Hose Length: 59"
 Height: 26 3/8"
 Inlet Connection Size: 1/2"
 Inlet Connection Type: Female NPT
 Installation Type: Wall Mounted
 Integrated Diverter: N
 Pivot: Y
 Primary Material: Brass
 Suggested Application: Bath
 Water Pressure Maximum: 85.0 psi
 Water Pressure Minimum: 20.0 psi
 Water Pressure Recommended: 45.0 psi

INSPIRATION

Pure Modernism. Like minimalist works of art, the elegant proportions of these light, fluid elements bring sculptural reference to a room.

CODES & STANDARDS

FLHS10X, FLHS10X, ASME A112.18.1/CSA B125.1, Waterworks Handshowers use check valves compliant to ASME A112.18.3 for backflow protection. State of MA

PRODUCT FEATURES

Features a Fixed Spray Pattern

Stocked in Chrome, Nickel, Brass and Matte Black

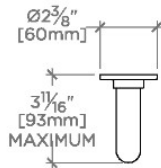
Available in 1.75gpm (6.6L/min) flow rate

CERTIFICATIONS

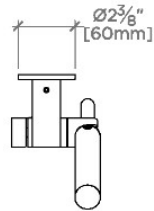


PRODUCT (NOTES)

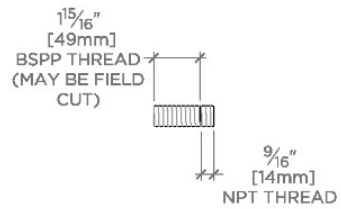
Flyte Handshower On Bar



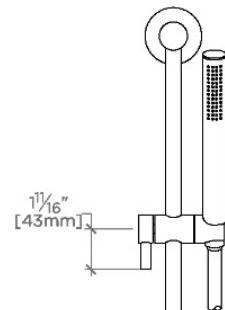
TOP VIEW



SCALE: 1 1/2" = 1'-0"

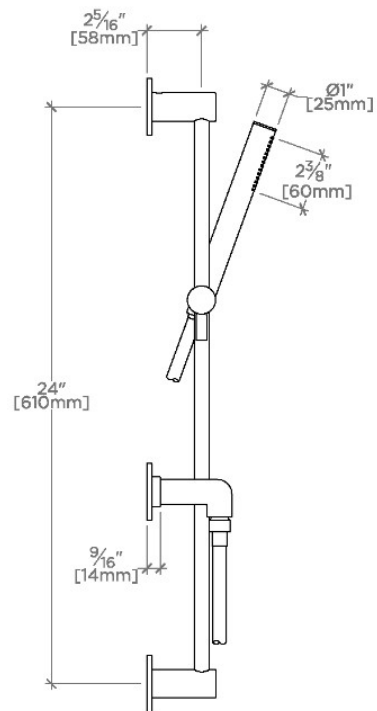
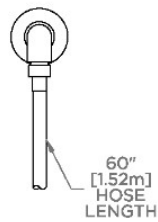


ADAPTER INCLUDED - INTERNATIONAL USE ONLY



FRONT VIEW

SCALE: 1 1/2" = 1'-0"



SIDE VIEW

SCALE: 1 1/2" = 1'-0"