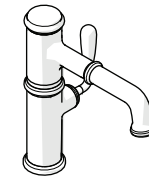


WATERWORKS

INSTALLATION GUIDELINES



STYLE No. CEKM30, CE30KM
Canteen One Hole Integrated Pull Spray
Kitchen Faucet with Oak Lever Handle

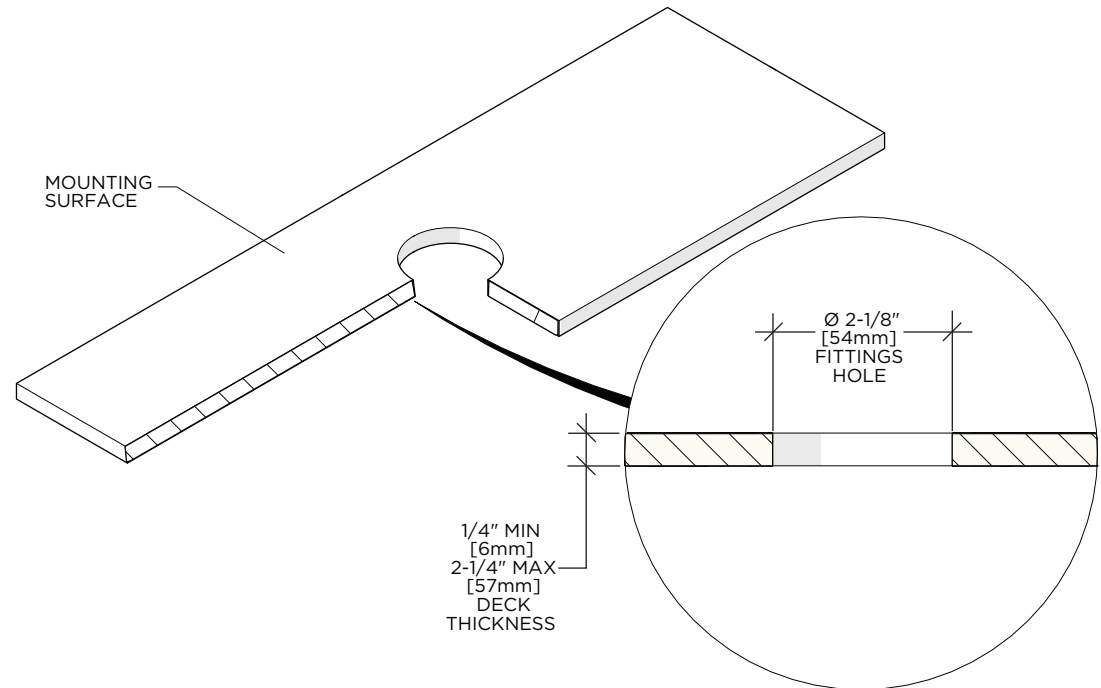
IMPORTANT:

- To ensure this product is installed properly, you must read and follow these guidelines.
- The owner/user of this product must keep this information for future reference.
- This product must be installed by a professional licensed contractor.
- Be sure your installation conforms to federal, state, and local codes. In the State of Massachusetts, all installations must comply with the rules and regulations set forth within 248 CMR.
- Inspect this product to ensure you have all the parts required for proper installation. Product is sold partially assembled but shown fully disassembled for illustrative and service purposes only.
- Use only a strap wrench or protected/smooth-jaw wrench on any finished surface.
- The use of certain plumber's putty may stain stone or tile surfaces.
- If further assistance is required, please contact Product Support at 1-800-927-2120 Monday through Friday, 8am - 6pm EST.
- Refer to the separate Service Parts Documents for available replacement parts.

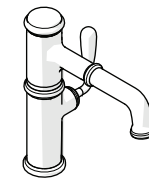
TECHNICAL DETAILS:

DETAIL	SPECIFICATION
ADJUSTABLE VERSUS FIXED SPRAY	ADJUSTABLE
HANDLE TURN ANGLE	TILT AND TURN
INLET CONNECTION	3/8" COMPRESSION CONNECTOR HOSES †
SPOUT REACH	9-1/8" [231mm]
SPOUT SWIVEL	YES
SPRAY HOSE LENGTH	79" [2m]
SPRAY INCLUDED IN UNIT	YES
WATER PRESSURE	85psi [6.0 bar] MAX 20psi [1.5 bar] MIN
WATER PRESSURE RECOMMENDED	45psi [3.0 bar]

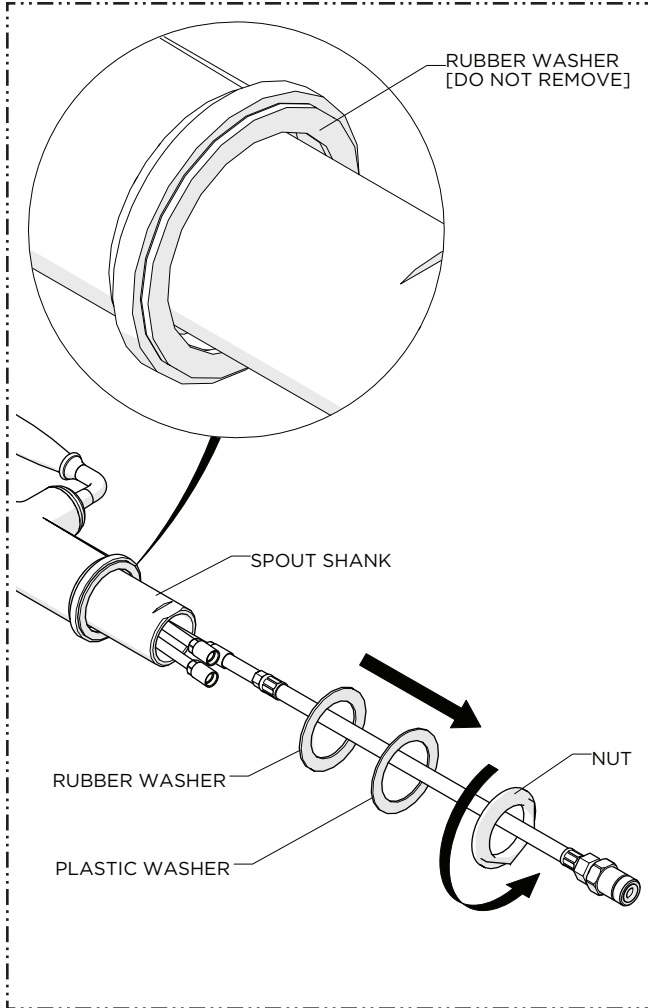
† UK Style No., **CE30KM** is supplied with 2 **BSPP** adapters, assembly required.



WATERWORKS INSTALLATION GUIDELINES

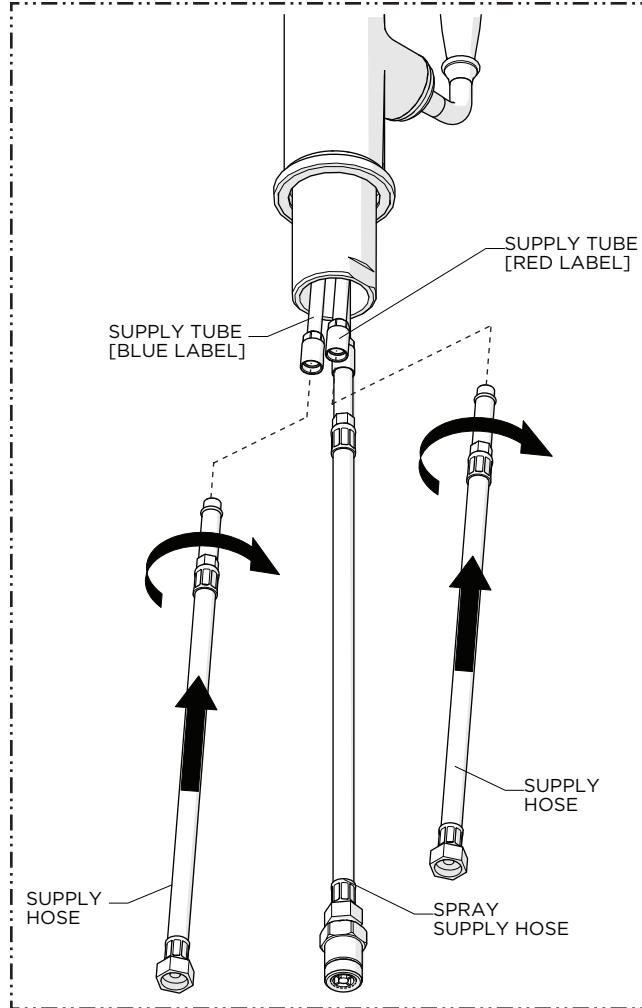


STYLE No. CEKM30, CE30KM
Canteen One Hole Integrated Pull Spray
Kitchen Faucet with Oak Lever Handle



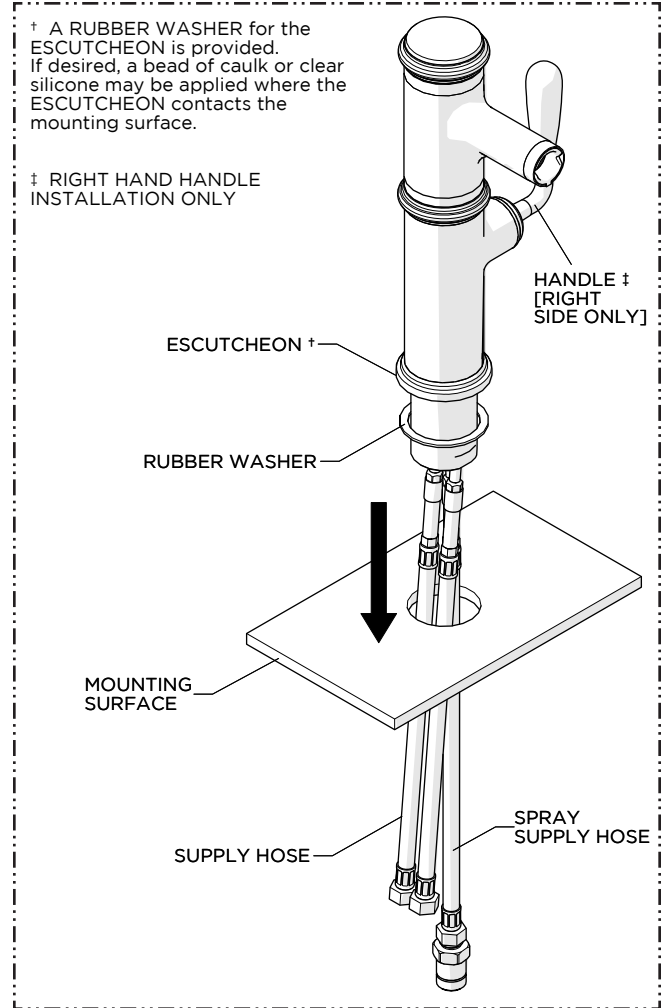
1. Unthread and remove the NUT from the SPOUT SHANK then remove the PLASTIC and RUBBER WASHERS.

NOTE: Do **NOT** remove the RUBBER WASHER beneath the ESCUTCHEON.



2. Thread and securely tighten the SUPPLY HOSES onto the SUPPLY TUBES pre-installed on the SPOUT.

NOTE: The HOSES are M10 x 3/8" COMPRESSION CONNECTOR HOSES and the SUPPLY TUBES are marked **BLUE** for cold and **RED** for hot.



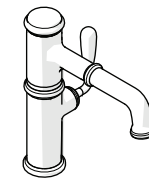
† A RUBBER WASHER for the ESCUTCHEON is provided. If desired, a bead of caulk or clear silicone may be applied where the ESCUTCHEON contacts the mounting surface.

‡ RIGHT HAND HANDLE INSTALLATION ONLY

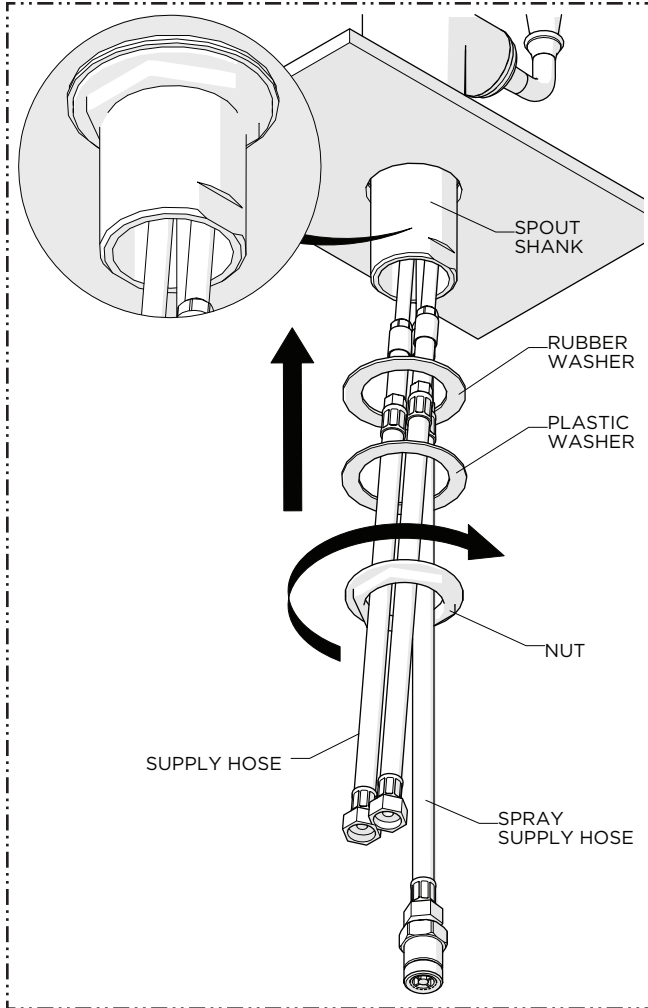
3. Insert the SPOUT through the hole on the mounting surface making sure the RUBBER WASHER is provided is beneath the ESCUTCHEON and the HANDLE is aligned on the RIGHT SIDE of the SPOUT.

NOTE: The HANDLE can **ONLY** be installed on the **RIGHT SIDE**.

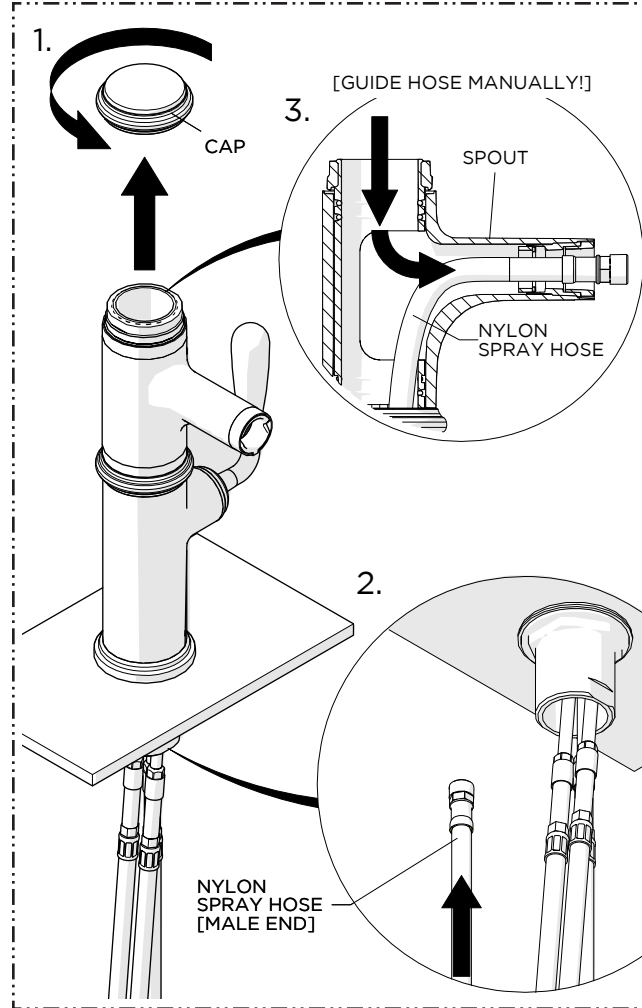
WATERWORKS INSTALLATION GUIDELINES



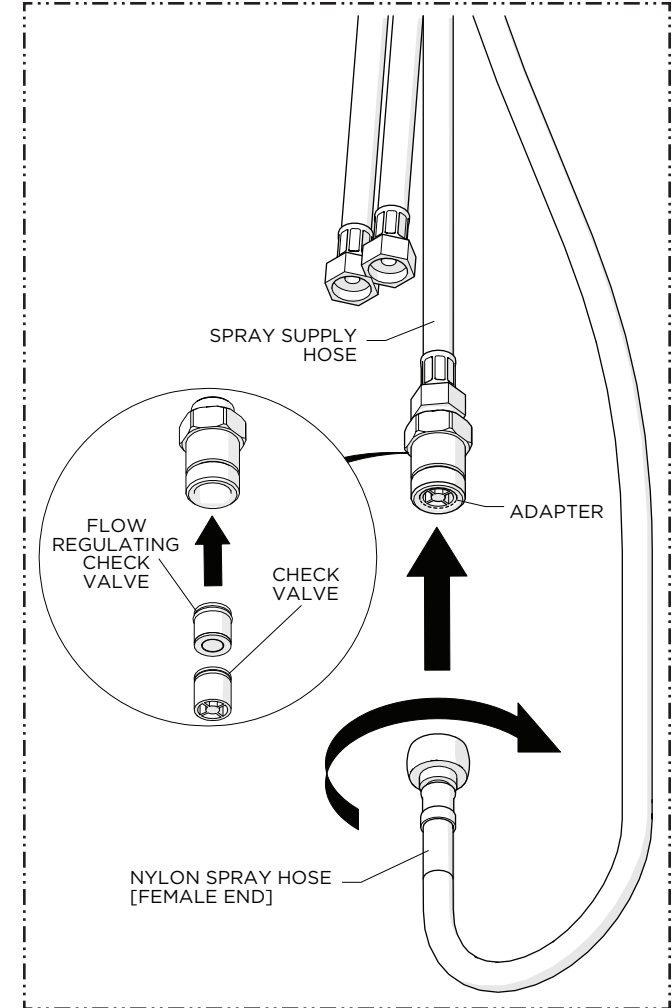
STYLE No. CEKM30, CE30KM
Canteen One Hole Integrated Pull Spray
Kitchen Faucet with Oak Lever Handle



4. Slide the WASHERS and NUT over the HOSES then thread and securely tighten the NUT onto the SPOUT SHANK.



5. Unthread and remove the CAP from the top of the SPOUT then insert the **MALE END** of the NYLON SPRAY HOSE through the bottom of the SPOUT and, from above, manually guide the HOSE out of the SPOUT.

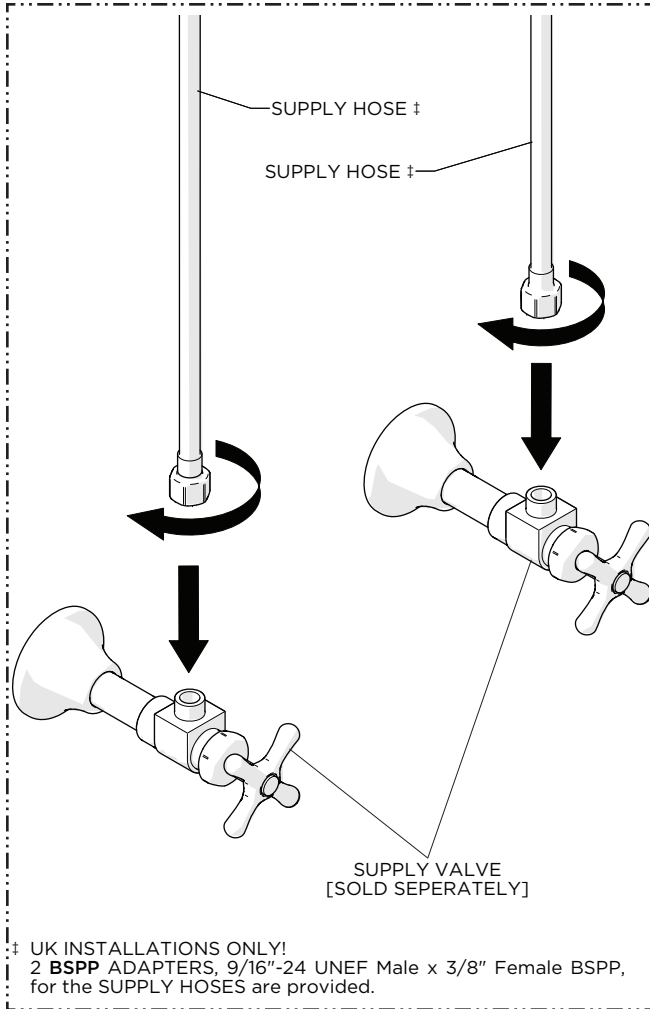


6. Thread and securely tighten the **FEMALE END** of the NYLON SPRAY HOSE onto SPRAY SUPPLY HOSE using the ADAPTER provided.

NOTE: A FLOW REGULATING CHECK VALVE is located inside the ADAPTER as well as an additional CHECK VALVE.

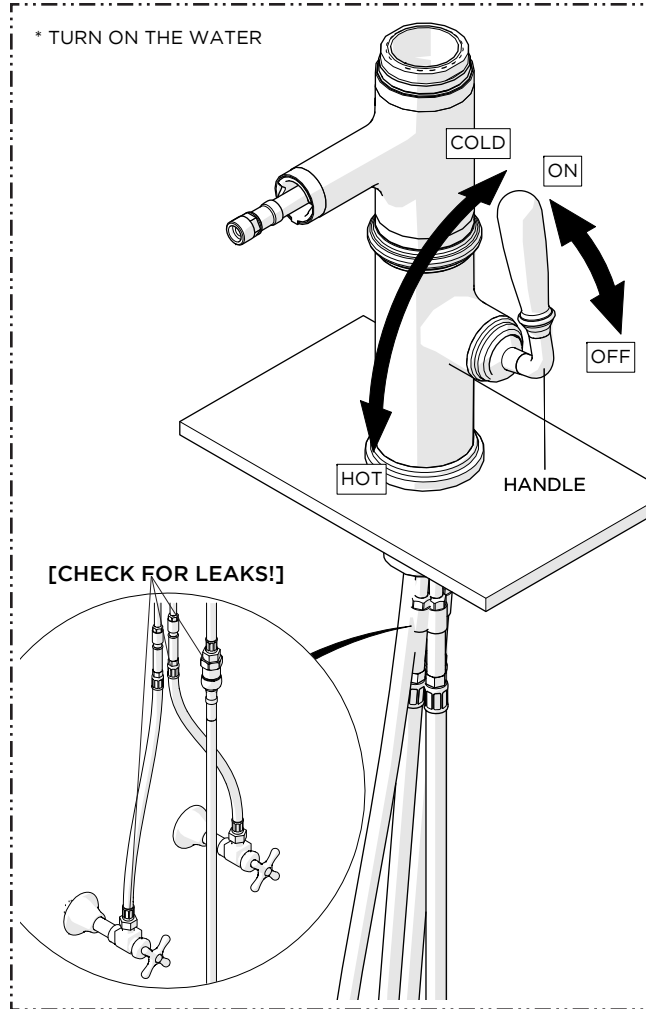
WATERWORKS INSTALLATION GUIDELINES

STYLE No. CEKM30, CE30KM
Canteen One Hole Integrated Pull Spray
Kitchen Faucet with Oak Lever Handle



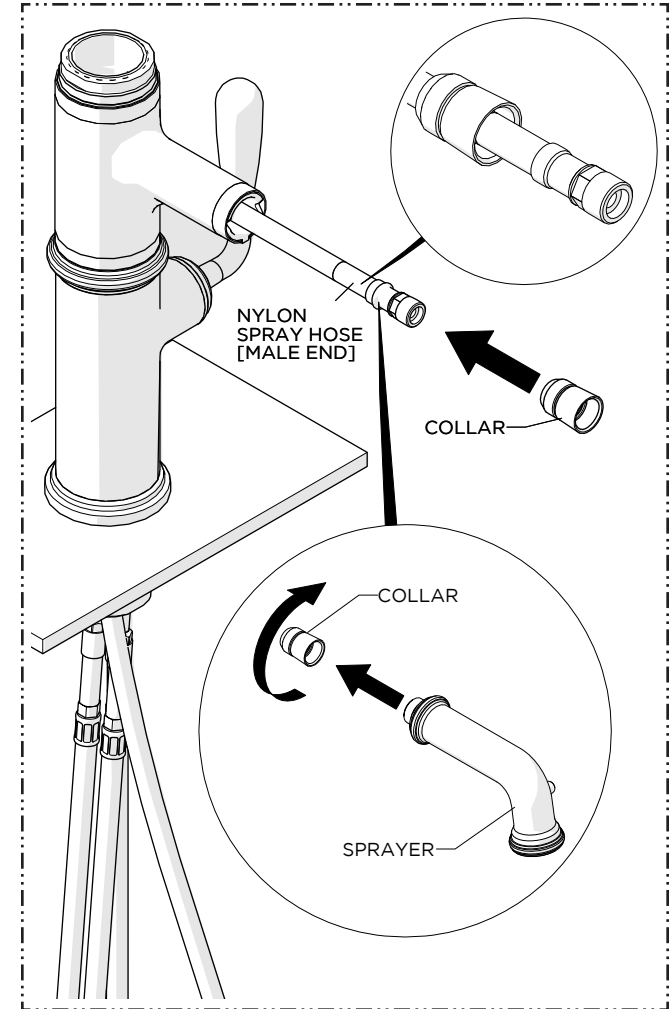
7. Connect the SUPPLY HOSES to the SUPPLY VALVES [sold separately].

NOTE: The HOSES are connected to SUPPLY TUBES that are marked BLUE for cold and RED for hot.



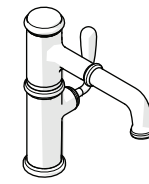
8. Turn on the water and operate the HANDLE to ensure it functions properly and to flush out any debris in the supply lines then check all connections for leaks and turn off the water.

CAUTION: Flush out the supply lines prior to installing the SPRAYER.

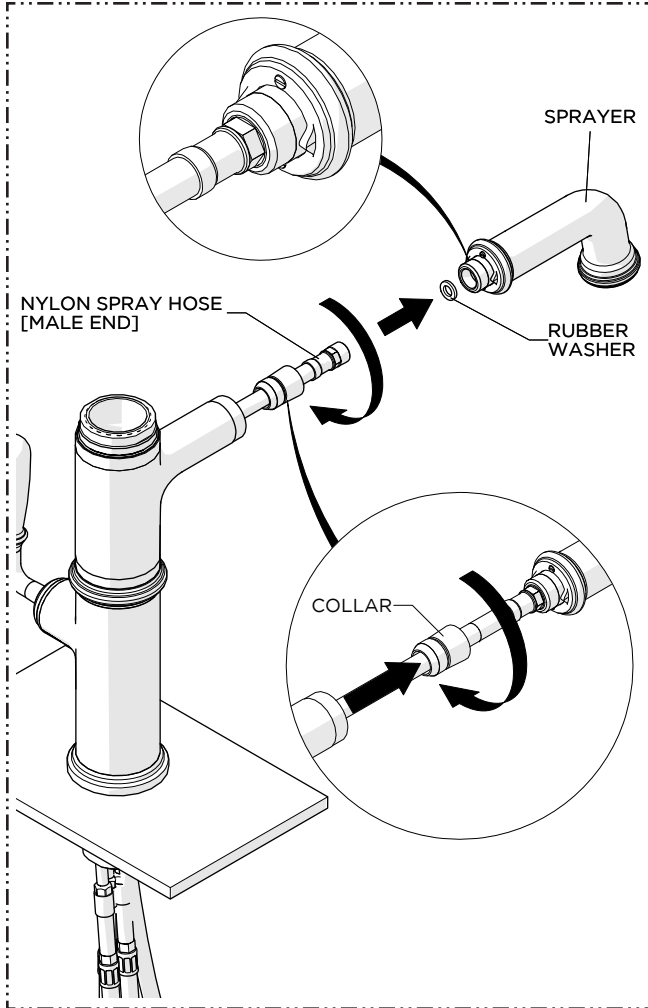


9. Unthread and remove the COLLAR from the SPRAYER inlet then slide the COLLAR over the SPRAY HOSE.

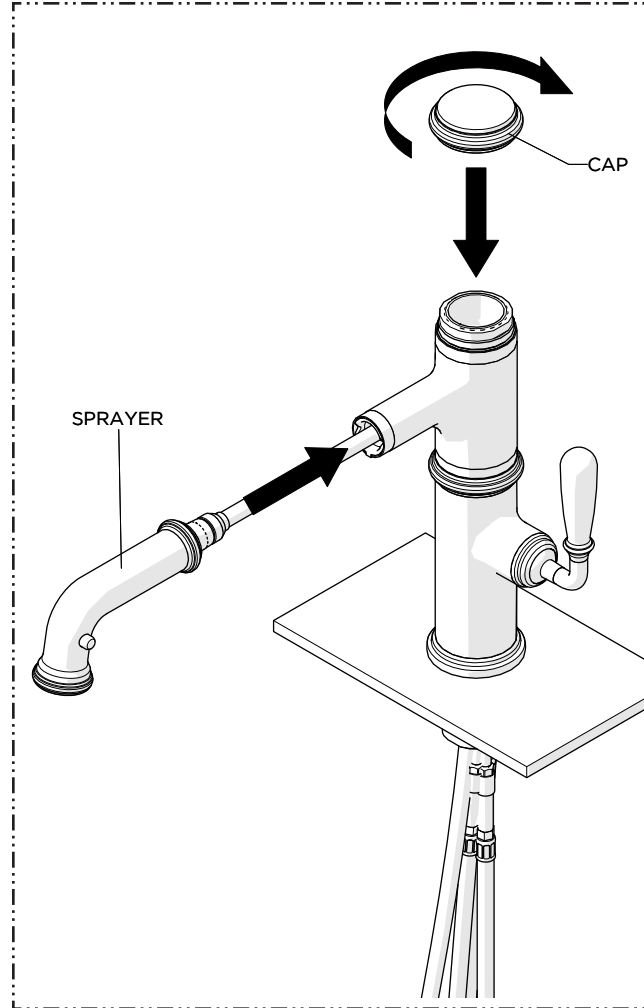
WATERWORKS INSTALLATION GUIDELINES



STYLE No. CEKM30, CE30KM
Canteen One Hole Integrated Pull Spray
Kitchen Faucet with Oak Lever Handle

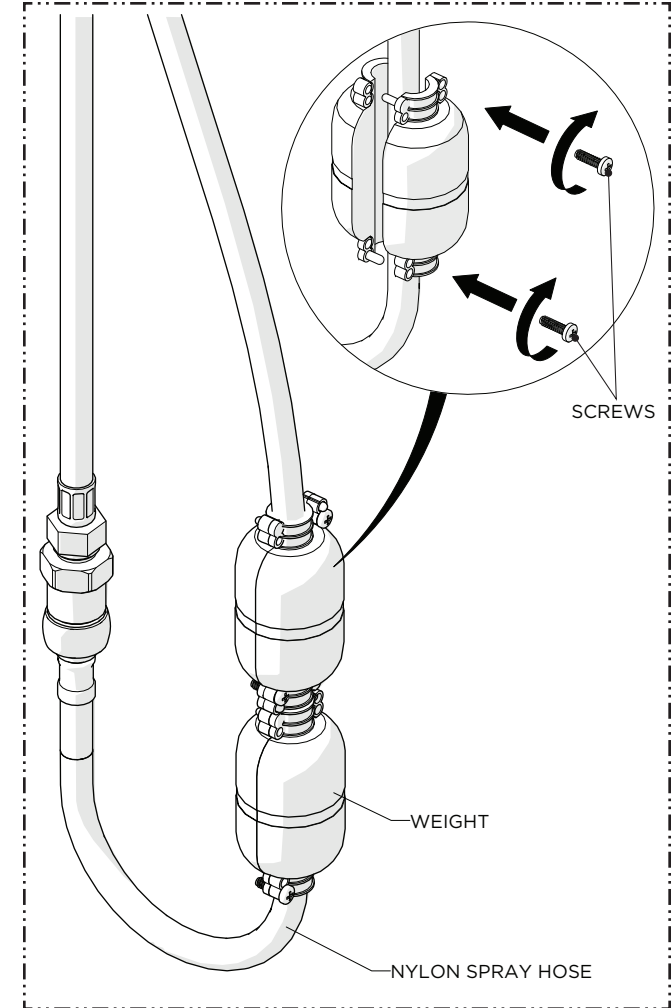


10. Thread and securely tighten the SPRAY HOSE into the SPRAYER using the RUBBER WASHER provided then thread and securely tighten the COLLAR back onto the SPRAYER.



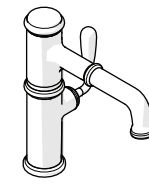
11. Insert the SPRAYER into the SPOUT then thread the CAP back onto the top of the SPOUT.

NOTE: Ensure the PIN at the base of the SPRAYER fits properly into the NOTCH on the SPOUT.

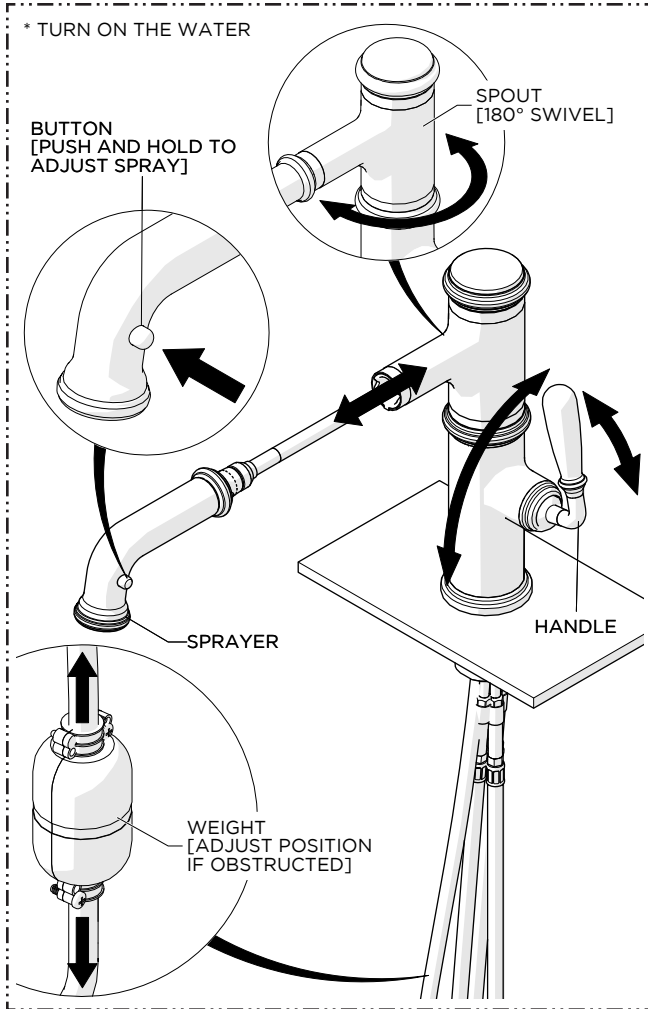


12. Align and press the two halves of the WEIGHT over the SPRAY HOSE in the desired position then thread and securely tighten the SCREWS provided.

WATERWORKS INSTALLATION GUIDELINES

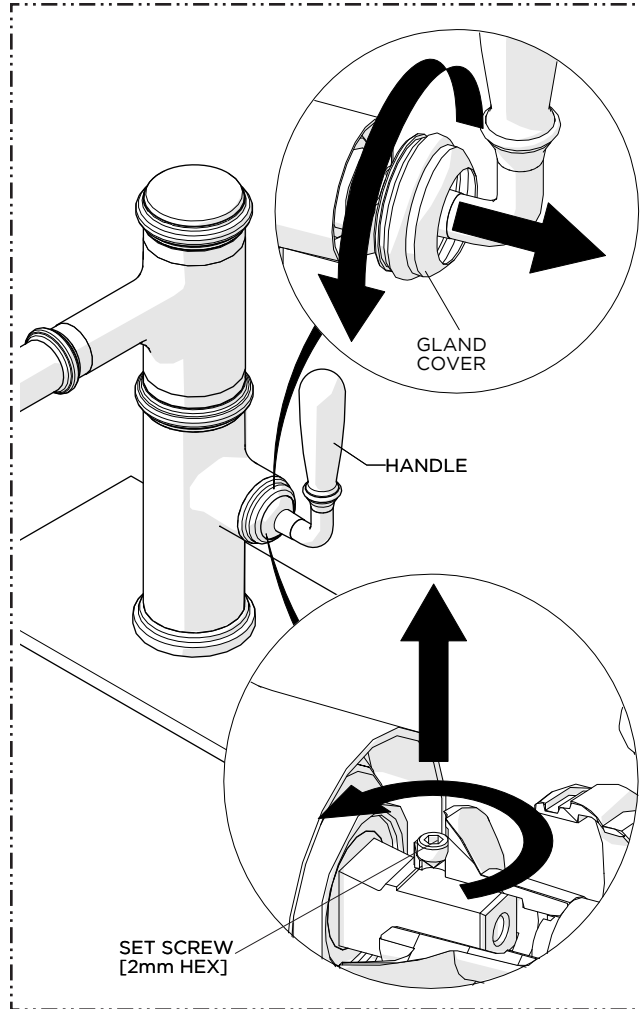


STYLE No. CEKM30, CE30KM
Canteen One Hole Integrated Pull Spray
Kitchen Faucet with Oak Lever Handle



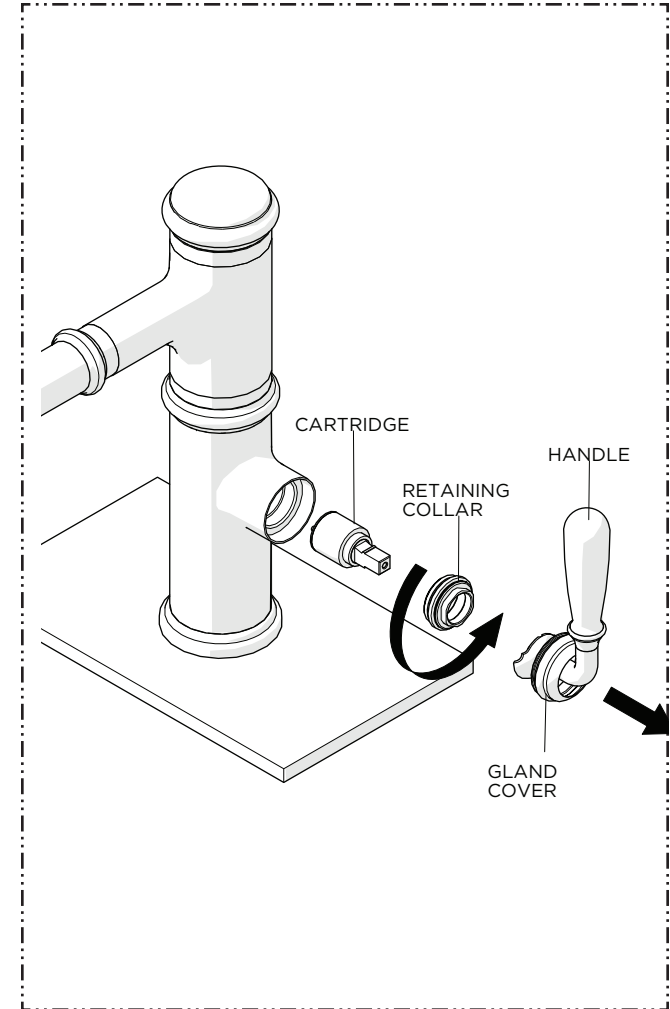
13. Turn on the water and operate the SPRAYER to ensure it functions properly making sure the WEIGHT can move freely beneath the cabinet and the SPOUT is able to swivel properly. Adjust the position of the WEIGHT if necessary.

NOTE: To adjust the SPRAY, press and hold the BUTTON on the side of the SPRAYER.



SERVICING THE CARTRIDGE:

1. Unthread the GLAND COVER to expose the SET SCREW then loosen, but do **NOT** remove, the SET SCREW using a 2mm HEX KEY.



2. Remove the HANDLE then unthread and remove the RETAINING COLLAR to exposed and remove the CARTRIDGE.