

Henry

HTH101

Henry Thermostatic Control Valve Trim with Cross Handle



SHOWN IN HENRY THERMOSTATIC CONTROL VALVE TRIM WITH CROSS HANDLE | HTH101

TECHNICAL DETAILS

ADA Compliance: Yes
Integrated Diverter: N
Number Of Holes: One Hole
Primary Material: Brass

INSPIRATION

Influenced by the connection of industry and art Henry easily transitions between modern, traditional, utilitarian and classic settings.

CODES & STANDARDS

ASME A112.18.1/CSA B125.1, State of MA

PRODUCT FEATURES

Cross Handle

CERTIFICATIONS

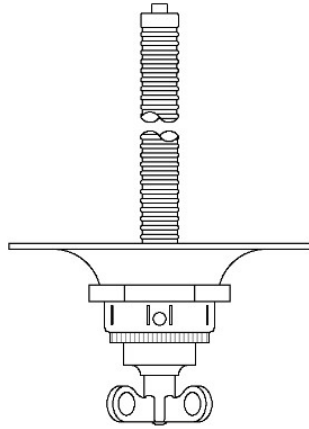


PRODUCT (NOTES)

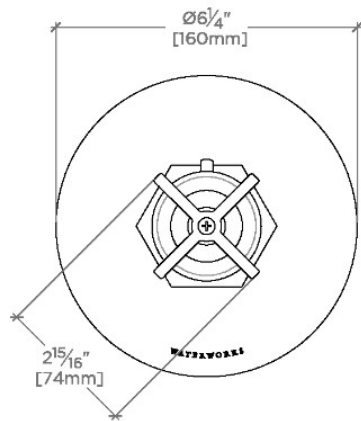
Henry

HTH101

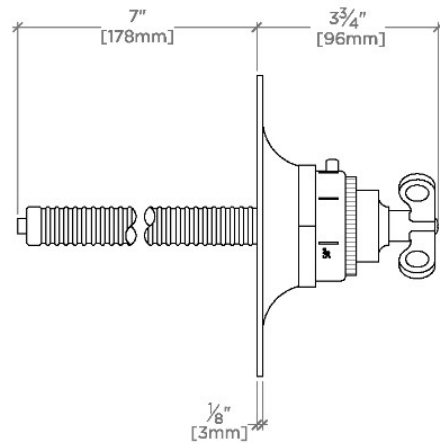
Henry Thermostatic Control Valve Trim with Cross Handle



TOP VIEW SCALE: 3"=1'-0"



FRONT VIEW SCALE: 3"=1'-0"



SIDE VIEW SCALE: 3"=1'-0"