

## Ludlow

LDTH15

Ludlow Volta Thermostatic Control Valve Trim with Lever Handle



SHOWN IN LUDLOW VOLTA THERMOSTATIC CONTROL VALVE TRIM WITH LEVER HANDLE | LDTH15

### TECHNICAL DETAILS

ADA Compliance: Yes  
Primary Material: Brass

### INSPIRATION

Our fresh take on American industrial design comes in three styles, each of them clean-lined, and distinct to Waterworks.

### CODES & STANDARDS

ASME A112.18.1/CSA B125.1, State of MA

### PRODUCT FEATURES

Lever Handle

Allows bather to adjust temperature of all waterway outlets with a hot limit safety stop providing anti-scald protection

Stocked in a Chrome, Nickel and Brass

Requires rough valve, sold separately: GUTH60 (1/2") or GUTH38 (3/4")

### CERTIFICATIONS

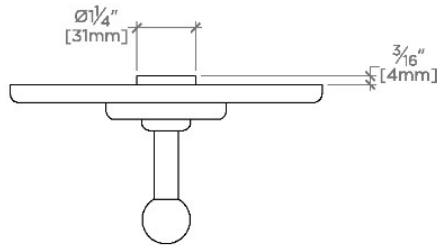


### PRODUCT (NOTES)

## Ludlow

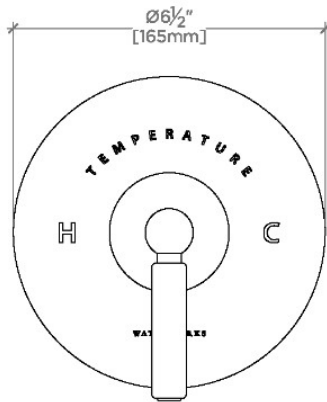
LDTH15

Ludlow Volta Thermostatic Control Valve Trim with Lever Handle



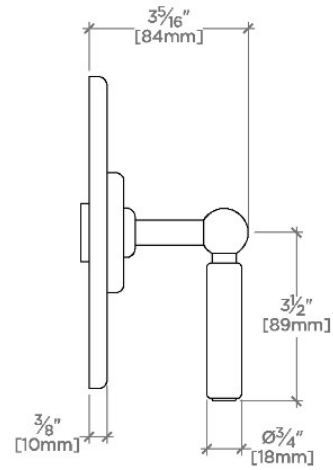
TOP VIEW

SCALE: 3"=1'-0"



FRONT VIEW

SCALE: 3"=1'-0"



SIDE VIEW

SCALE: 3"=1'-0"