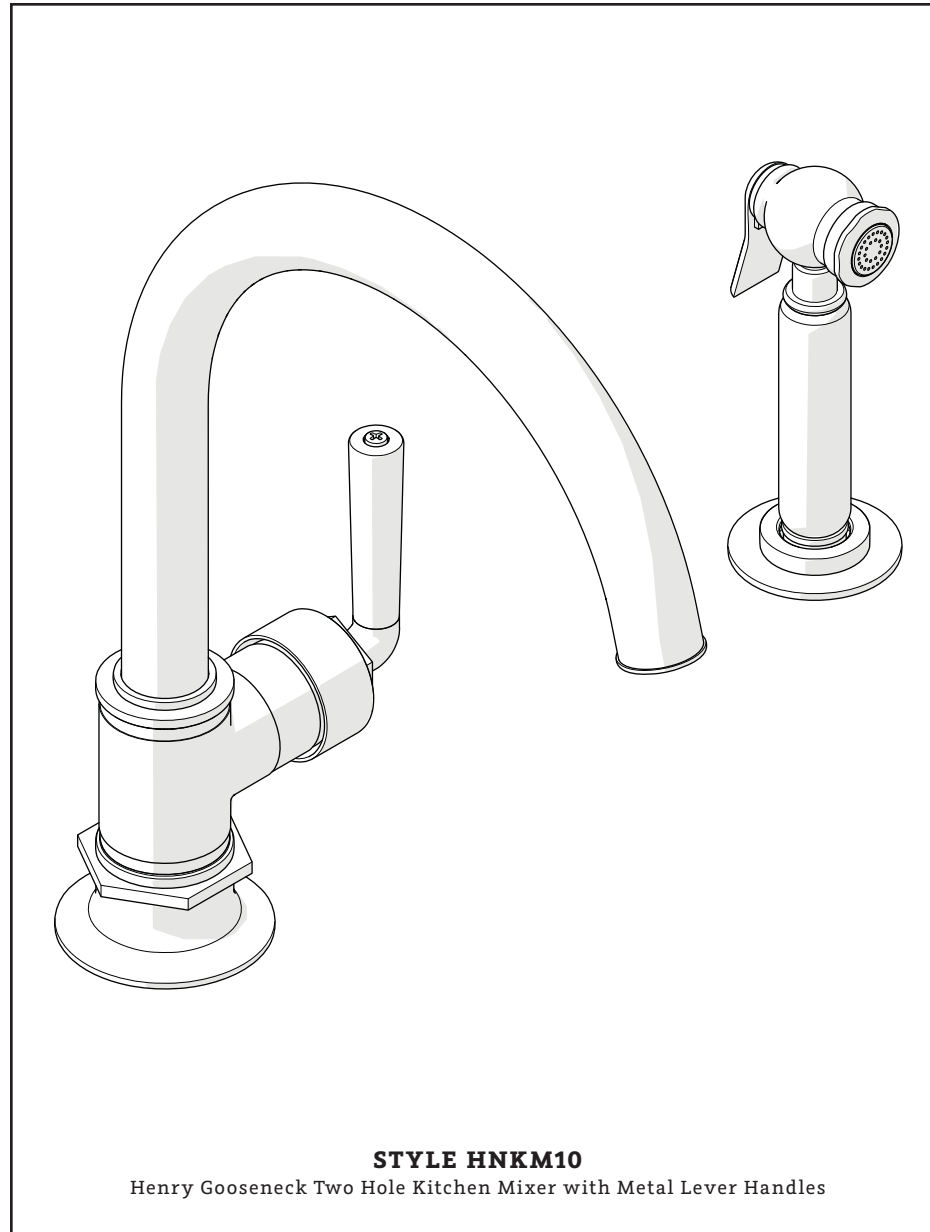




ESTB. 1978

WATERWORKS

SERVICE PARTS



WELCOME TO

WATERWORKS

For over three decades, Waterworks has transformed the bath through an absolute commitment to design authenticity, innovation and quality. A blend of scholarly appreciation and applied experience guarantees mechanical integrity, meticulous craftsmanship, and timeless designs.

**TO ORDER PARTS CALL
1 (800) 927-2120 (EXT 2)**

Order by part number and specify color, finish, or other options if required.

PRODUCT SUPPORT

Our Product Support team provides troubleshooting and technical problem resolution, including replacement parts and installation recommendations throughout the life of your product.

Product Support is available Monday through Friday, 8AM-6PM EST.

**LIMITED LIFETIME
WARRANTY**

Our warranty covers repair and replacement of Waterworks products if within the applicable coverage period and deemed defective by Waterworks. Waterworks will, at its option, repair or replace such products; this does not include installation costs, labor charges, or other incidental or consequential costs.

To obtain your complete warranty or inquire about warranty service, please visit us at www.waterworks.com or contact our Product Support Team.



ESTB. 1978

WATERWORKS

STYLES: HNKM10

MAIN KITS

105936
CARTRIDGE RETAINER

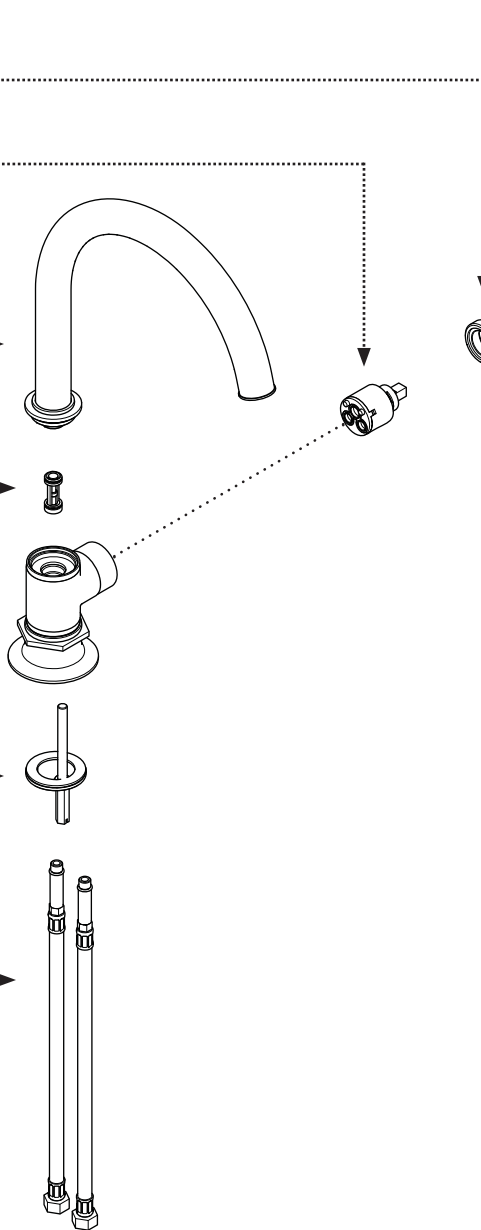
103865
CARTRIDGE

105931*
SPOUT

103508
DIVERTER

103634
MOUNTING HARDWARE

105944
HOSE



*FINISH/COLOR MUST BE SPECIFIED WHEN ORDERING
++SUPPLIED AS A PAIR

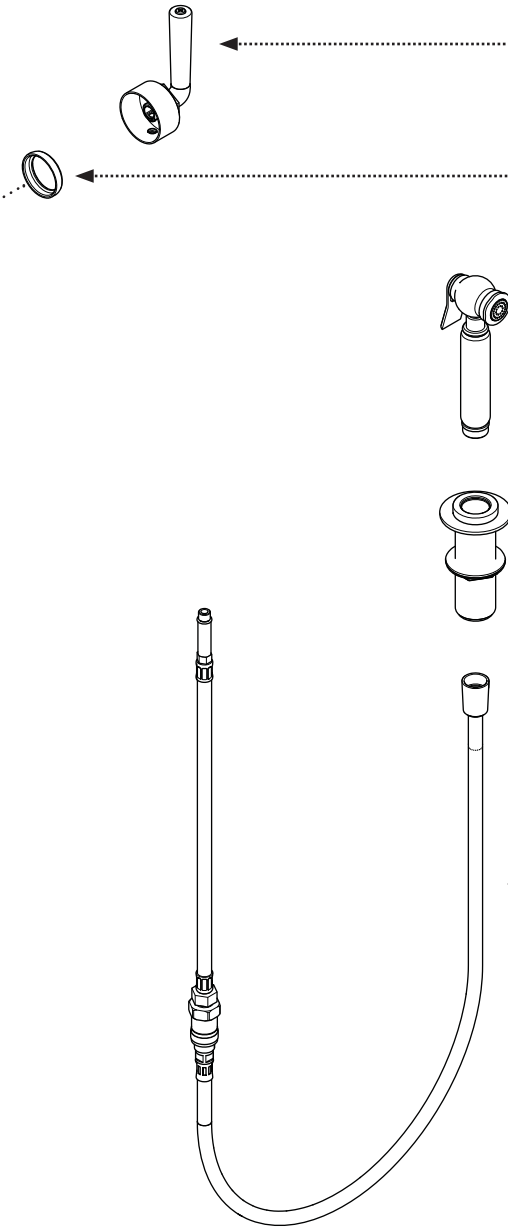
105934*
LEVER HANDLE

105935*
GLAND COVER

105937*
SPRAY

103741*
SPRAY RETURN

103870
KITCHEN SPRAY HOSE



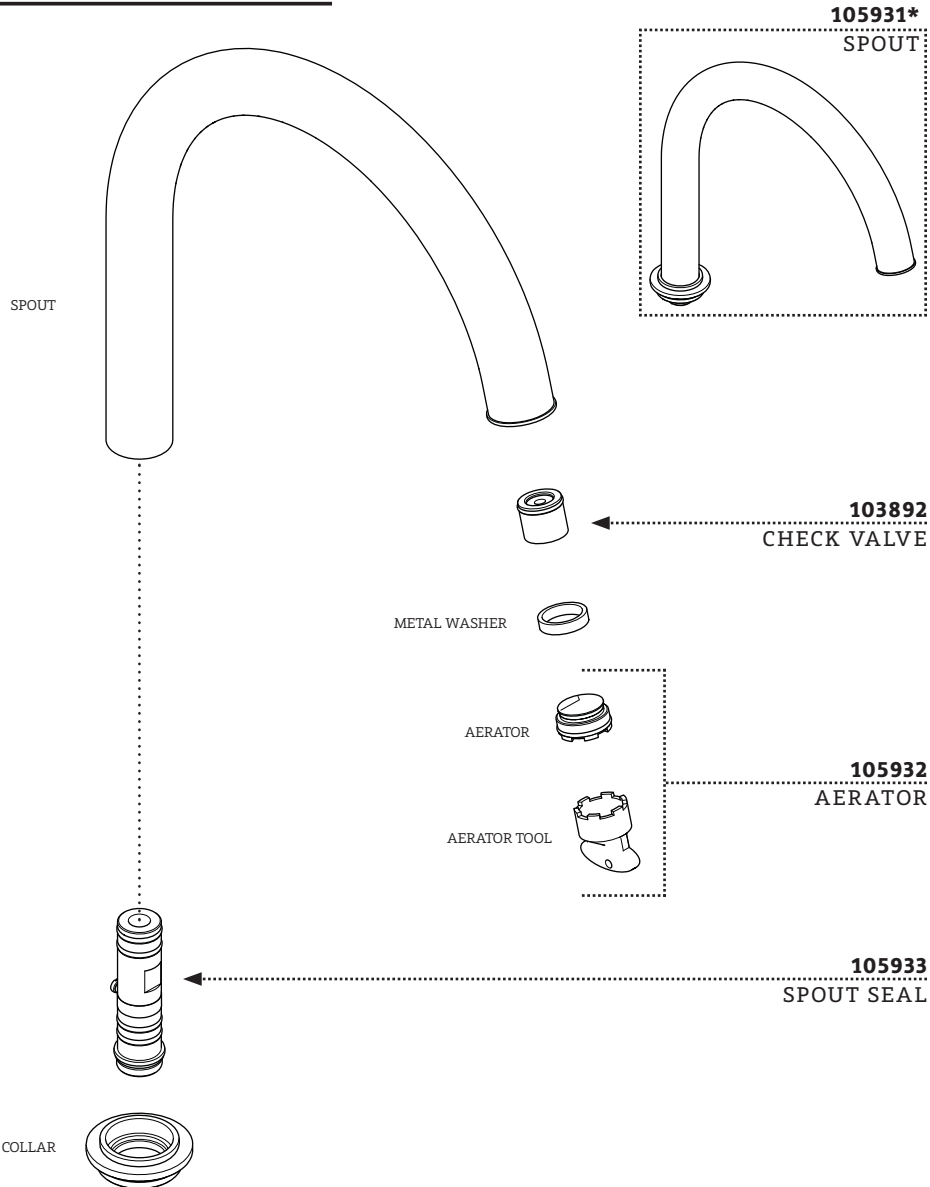


ESTB. 1978

WATERWORKS

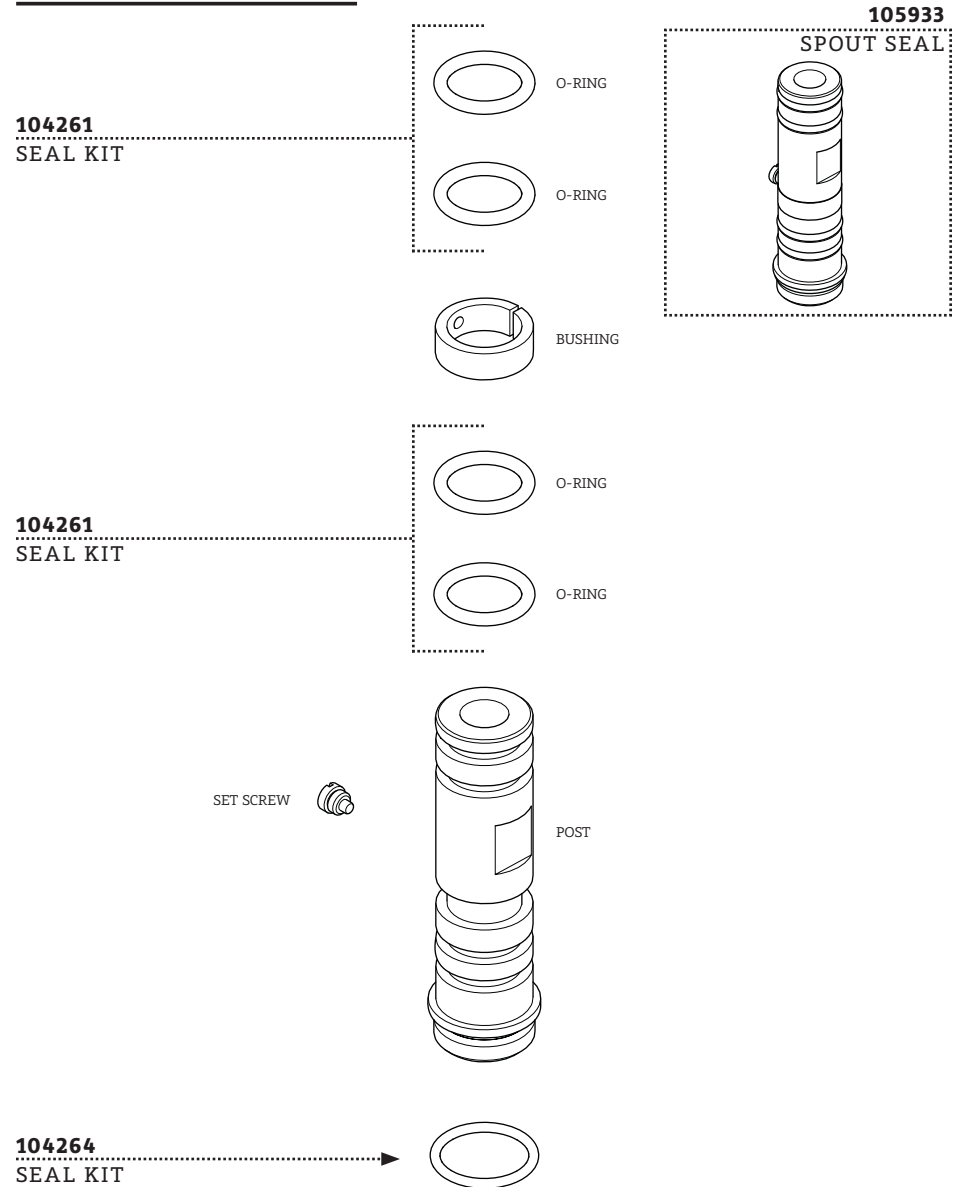
KIT COMPONENTS

STYLES: HNKM10



*FINISH/COLOR MUST BE SPECIFIED WHEN ORDERING
++SUPPLIED AS A PAIR

KIT COMPONENTS



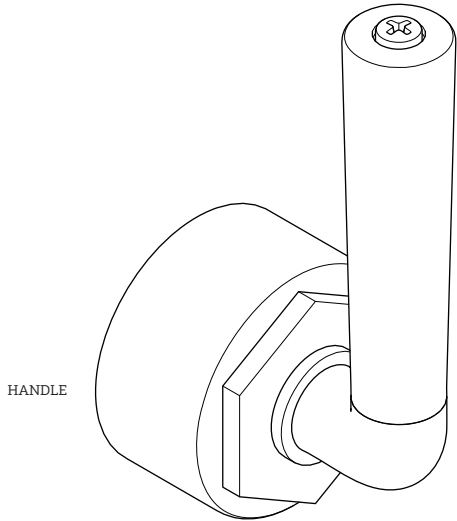


ESTB. 1978

WATERWORKS

KIT COMPONENTS

STYLES: HNKM10



HANDLE



105934*
LEVER HANDLE



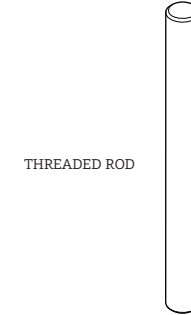
555397
FASTENING SET SCREW

PLUG



*FINISH/COLOR MUST BE SPECIFIED WHEN ORDERING
++SUPPLIED AS A PAIR

KIT COMPONENTS



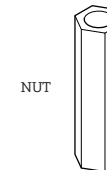
THREADED ROD



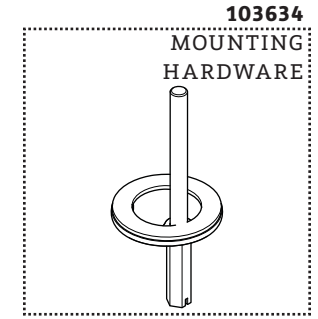
RUBBER WASHER



METAL WASHER



NUT



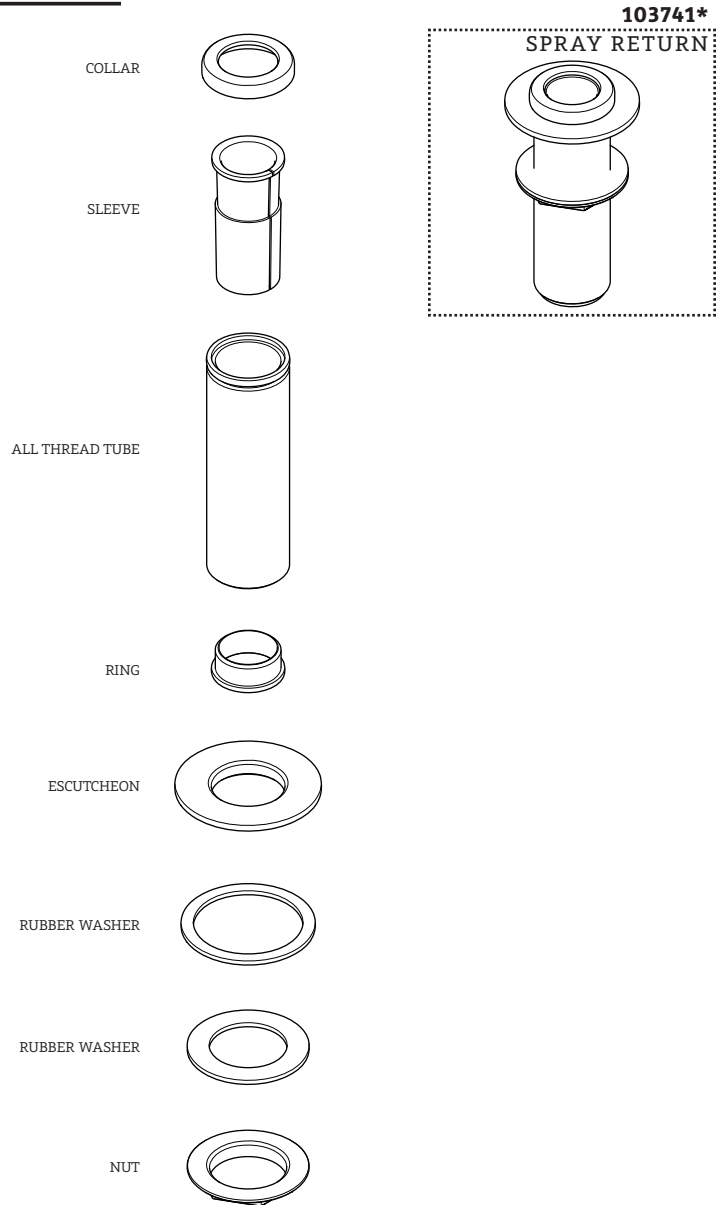
103634
MOUNTING
HARDWARE



ESTB. 1978

WATERWORKS

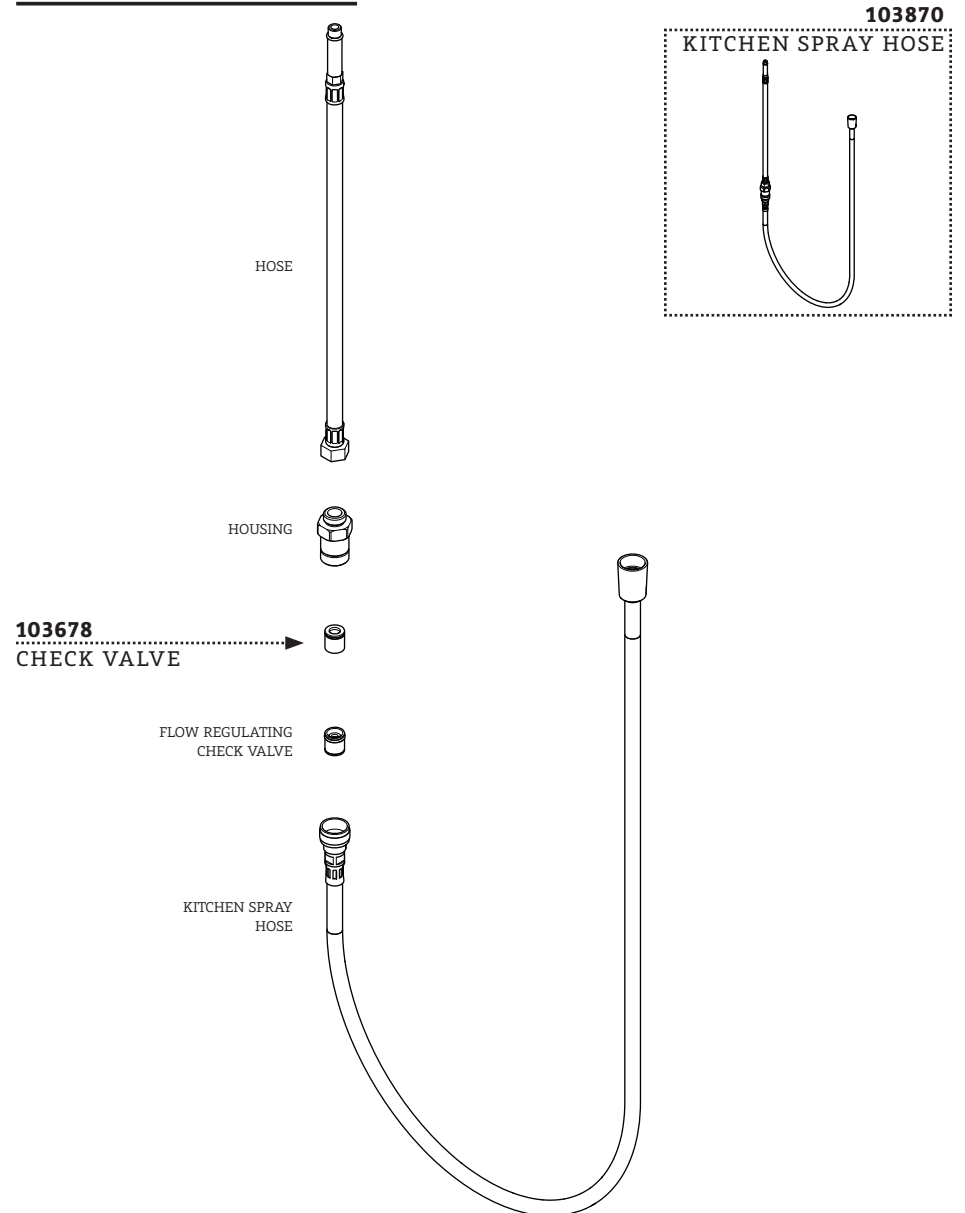
KIT COMPONENTS



STYLES: HNKM10

*FINISH/COLOR MUST BE SPECIFIED WHEN ORDERING
++SUPPLIED AS A PAIR

KIT COMPONENTS





ESTB. 1978

WATERWORKS

SERVICE PARTS INDEX

<u>STYLE</u>	<u>DESCRIPTION</u>	<u>PG</u>
105932	AERATOR	4
103865	CARTRIDGE	2
105936	CARTRIDGE RETAINER	2
103678	CHECK VALVE	9
103892	CHECK VALVE	4
103508	DIVERTER	2
555397	FASTENING SET SCREW	6
105935*	GLAND COVER	3
105944	HOSE	2
103870	KITCHEN SPRAY HOSE	9
105934*	LEVER HANDLE	6
103634	MOUNTING HARDWARE	7
104264	SEAL KIT	5
104261	SEAL KIT	5
105931*	SPOUT	4
105933	SPOUT SEAL	5
105937*	SPRAY	3
103741*	SPRAY RETURN	8

STYLES: HNKM10

*FINISH/COLOR MUST BE SPECIFIED WHEN ORDERING
++SUPPLIED AS A PAIR

NOTES

DOCUMENT: SPHN05_REV01



ESTB. 1978

WATERWORKS

NOTES

STYLES: HNKM10

*FINISH/COLOR MUST BE SPECIFIED WHEN ORDERING
++SUPPLIED AS A PAIR

NOTES



ESTB. 1978

WATERWORKS

PRODUCT SUPPORT

60 BACKUS AVENUE
DANBURY, CT 06810

1 (800) 927-2120 (EXT 2)

WWW.WATERWORKS.COM