

LUDLOW

Ludlow Handshower On Bar with Metal Handle

LD10HS



SHOWN IN LUDLOW HANDSHOWER ON BAR WITH METAL HANDLE| LDHS10

TECHNICAL DETAILS

Adjustable versus Fixed Spray: Fixed Spray
Diameter of Head: 52 mm
Escutcheon Primary Material: Brass
Fittings Hole Diameter: 25 mm
Handshower / Spray Hose Length: 1.5 m
Depth / Width: 105 mm
Height: 673 mm
Inlet Connection Size: 1/2"
Inlet Connection Type: Male G/BSPP
Installation Type: Wall Mounted
Integrated Diverter: N
Pivot: Y
Primary Material: Brass
Restricted Maximum Flow Rate: 7.6 liters/min
Suggested Application: Bath
Water Pressure Maximum: 5.5 bar
Water Pressure Minimum: 1.5 bar
Water Pressure Recommended: 3.0 bar

INSPIRATION

A touch of classic Americana. Our fresh take on iconic industrial design has clean lines and dimensional details, including exposed screws and square plates.

PRODUCT FEATURES

2.0 gpm Flowrate

This item is stocked in a Chrome, Nickel and Unlacquered Brass finishes.

Adjustable 24" bar provides ease in determining the desired height of the handshower

Handshower is easy and comfortable to grip.

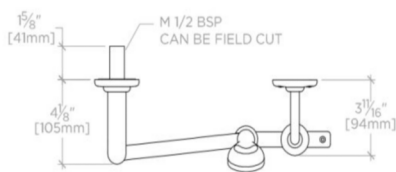
Standard flow rate 2.0gpm (7.6 L/min). Also available in high efficient flow options. Contact your sales associate or call 1 (800) 899-6757 for details.

LUDLOW

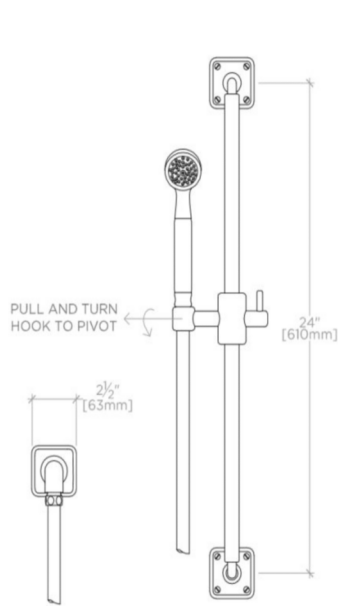
LD1oHS

Ludlow Handshower On Bar with Metal Handle

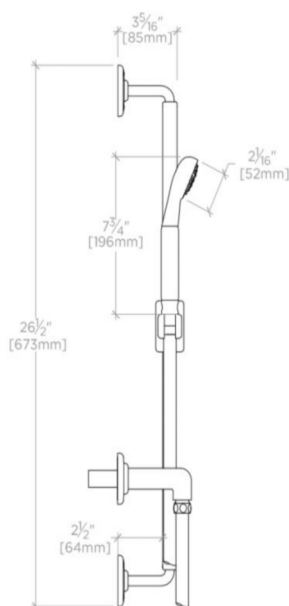
Adapters Shipped Loose		
Adapter	Description	Quantity
UNUK04	1/2" NPT Male x 1/2" Male Nipple 50mm Long BSP	1



TOP VIEW SCALE: 1 1/2"=1'-0"



FRONT VIEW SCALE: 1 1/2"=1'-0"



SIDE VIEW SCALE: 1 1/2"=1'-0"