

## EASTON

EALS01

Easton Classic Low Profile Three Hole Deck Mounted Lavatory Faucet with Metal Cross Handles



SHOWN IN EASTON CLASSIC LOW PROFILE THREE HOLE DECK MOUNTED LAVATORY FAUCET WITH METAL CROSS HANDLES | EALS01

### TECHNICAL DETAILS

ADA Compliance: Yes  
 Adjustable Versus Fixed Spray: Fixed Spray  
 Deck Thickness Maximum: 1 1/4"  
 Deck Thickness Minimum: 0"  
 Depth/Width: 9"  
 Drain Assembly Materials: Brass  
 Drain Depth Maximum: 1 3/8"  
 Drain Depth Minimum: 1 3/4"  
 Drain Hole Diameter: 1 3/4"  
 Drain Style: Pop-up  
 Escutcheon Primary Material: Brass  
 Fittings Hole Diameter: 1 3/8"  
 Handle Spread Maximum: 12"  
 Handle Spread Minimum: 8"  
 Handle Turn Angle: Quarter Turn  
 Height: 3 1/2"  
 Index Color Finish And Material: White Porcelain  
 Index Marking: Hot/Cold  
 Inlet Connection Size: 1/2"  
 Inlet Connection Type: Male with supply nut  
 Inlet Supply Spread Maximum: 12"  
 Inlet Supply Spread Minimum: 8"  
 Installation Type: Deck Mounted  
 Length: 16"  
 Number Of Handles: Two  
 Number Of Holes: Three Hole  
 Primary Material: Brass  
 Restricted Maximum Flow Rate: 1.2 gpm  
 Spout Swivel: N  
 Suggested Application: Bath  
 Valve Material: Ceramic  
 Water Pressure Maximum: 85.0 psi  
 Water Pressure Minimum: 20.0 psi  
 Water Pressure Recommended: 45.0 psi

### INSPIRATION

Rooted in classical Edwardian design, Easton is our most expansive collection—offering a comprehensive family of pieces that bring polished detail and timeless tradition to any setting. Revered for its exquisite proportions and impeccable scale, Easton is a trusted choice among designers.

### CODES & STANDARDS

EALS01X, NSF/ANSI/CAN 61:Q < 1, NSF/ANSI/CAN 372, ASME A112.18.1/CSA B125.1, CEC, State of MA, WRAS

### PRODUCT FEATURES

Brass metal is used for all trim and valve components

The manufacturing process encompasses casting, turning, forging, hand-fitting and hand polishing.

Easton is our most comprehensive fittings family.

Easton has a clean-lined utilitarian profile, with a slightly elongated spout.

Available in 1.2gpm (4.5L/min) flow rate

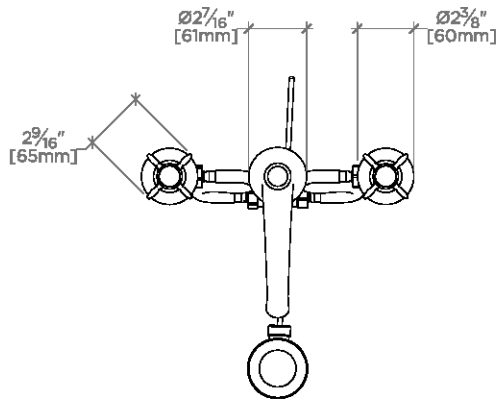
### CERTIFICATIONS



### PRODUCT (NOTES)

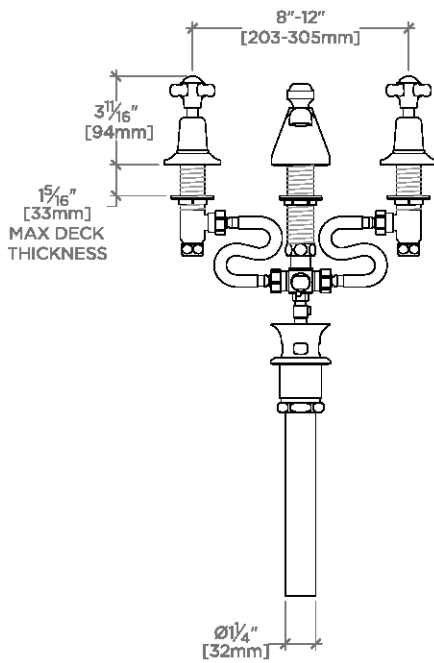
Sold with European style drain; USA style drain sold separately for use with non-Waterworks sinks.

Easton Classic Low Profile Three Hole Deck Mounted Lavatory Faucet with Metal Cross Handles



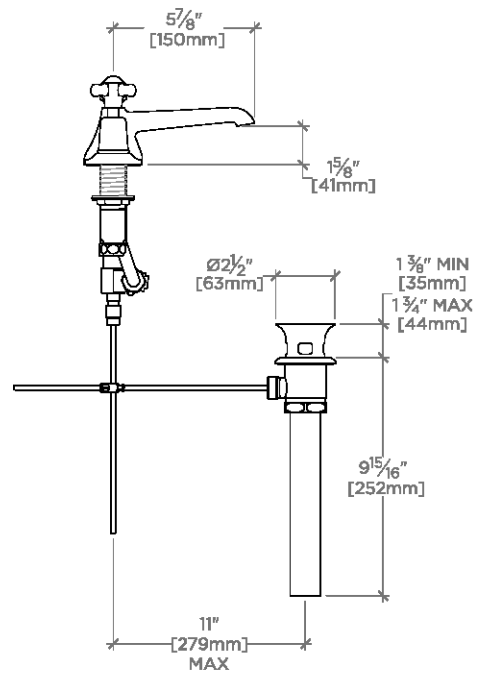
TOP VIEW

SCALE: 1/2"=1'-0"



FRONT VIEW

SCALE: 1/2"=1'-0"



SIDE VIEW

SCALE: 1/2"=1'-0"