

CENTURIA

CNCP02

Centuria Deck Mounted Marble Lavatory Sink 36" x 22 1/2" x 6" and Tapered Pedestal 12" x 8 3/4" x 27"



SHOWN IN CENTURIA DECK MOUNTED MARBLE LAVATORY SINK 36" X 22 1/2" X 6" AND TAPERED PEDESTAL 12" X 8 3/4" X 27" | CNCP02

TECHNICAL DETAILS

Depth To Overflow: 2.9"
Drain Hole Depth: 1 7/8"
Drain Hole Diameter: 1 3/4"
Drain Style: Center Drain
Fittings Hole Diameter: 1 3/8"
Overflow Opening: Yes

INSPIRATION

Centuria presents a softer, more feminine interpretation of the classic stone sink. Inspired by our iconic Empire bathtub, the design features an elegant, rolled edge and forgoes a backsplash in favor of pure, sculptural form.

CODES & STANDARDS

PRODUCT FEATURES

Designed by and exclusive to Waterworks

Sourced and made in Italy

Carved from a solid block of stone. Packaged item weight: 400 lbs

Comes pre-cut for deck-mounted faucet and handles

Features an integrated overflow

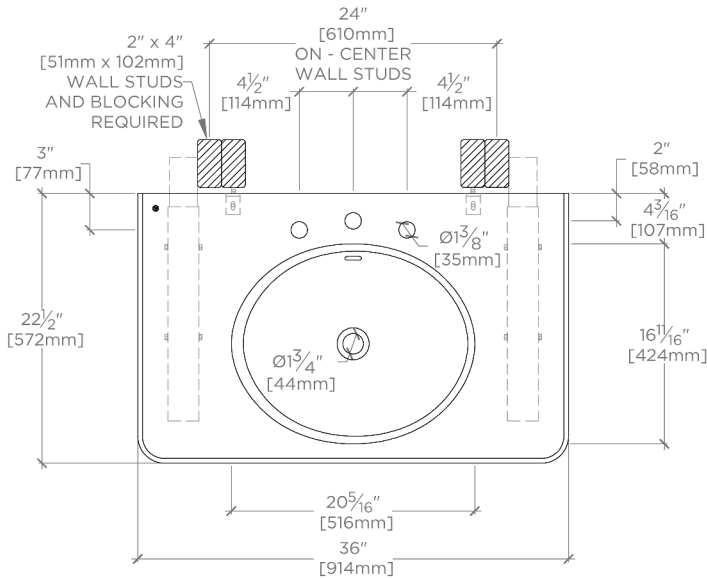
CERTIFICATIONS

PRODUCT (NOTES)

CENTURIA

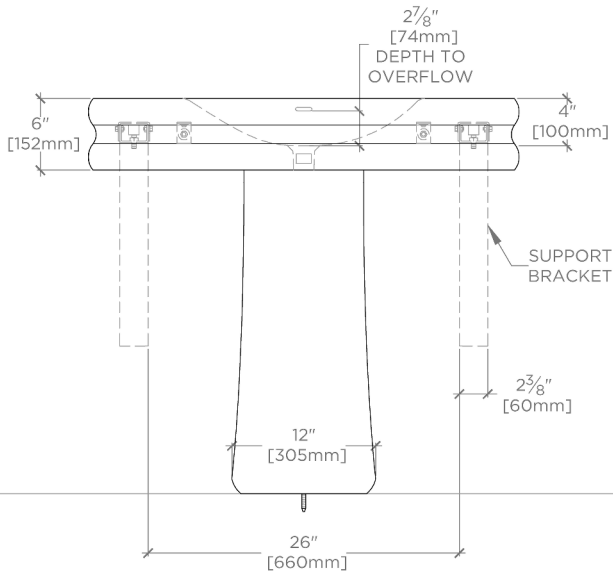
CNCP02

Centuria Deck Mounted Marble Lavatory Sink 36" x 22 1/2" x 6" and Tapered Pedestal 12" x 8 3/4" x 27"



TOP VIEW

SCALE: 3/4"=1'-0"



FRONT VIEW

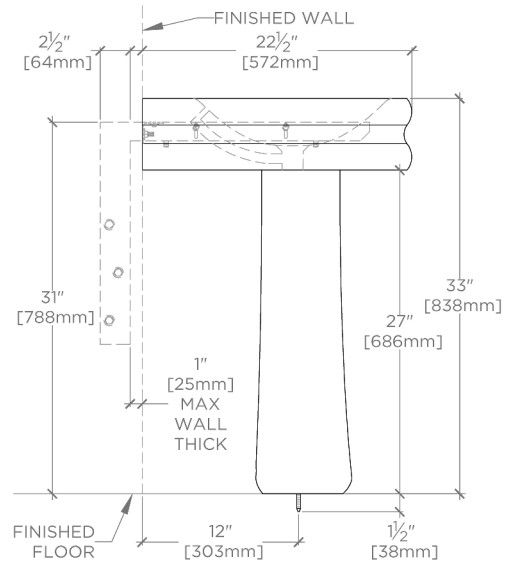
SCALE: 3/4"=1'-0"

REQUIRED MOUNTING HARDWARE (SOLD SEPARATELY)

STYLE: 106803

DESCRIPTION: UNIVERSAL PAIR (L/R) 22" STAINLESS STEEL ADJUSTABLE CONCEALED SUPPORT BRACKETS, WALL SUPPORT BRACKETS AND HARDWARE FOR WALL MOUNTED STONE SINK.

NOTE: THE SINK WILL BE SUPPORTED BY THE BRACKETS AND NOT THE PEDESTAL. ENSURE THE SINK IS NOT RESTING ON THE PEDESTAL TO AVOID DAMAGE.



SIDE VIEW

SCALE: 3/4"=1'-0"