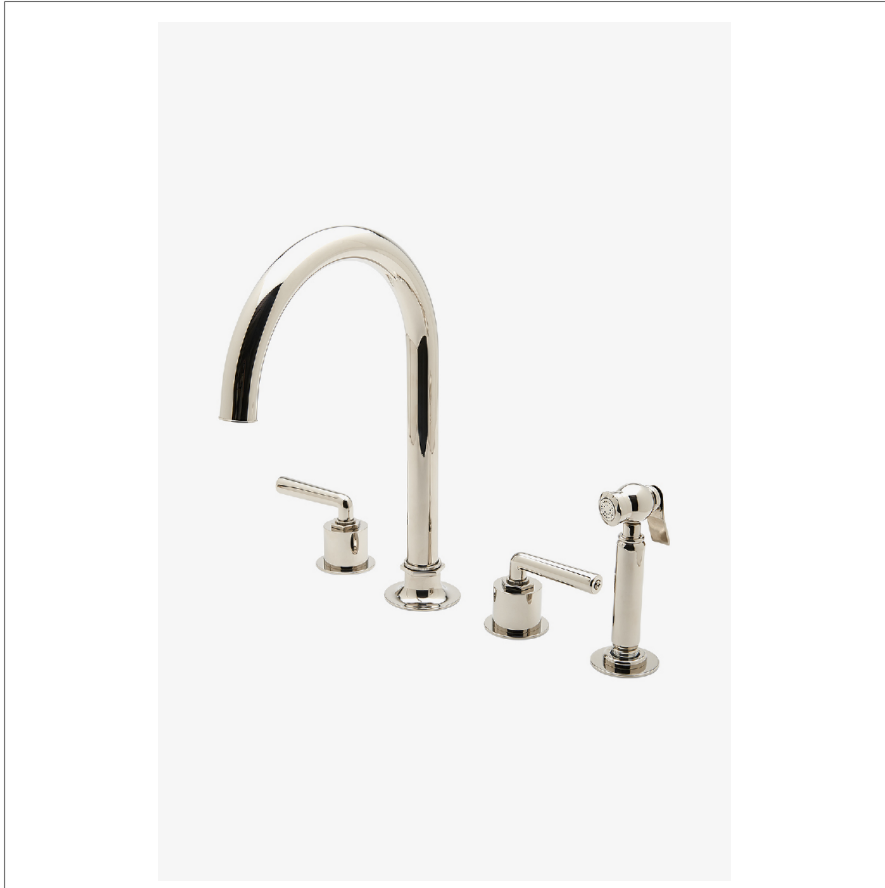


## HENRY

## HNKM30

Henry Three Hole Gooseneck Kitchen Faucet, Metal Lever Handles and Spray



SHOWN IN HENRY THREE HOLE GOOSENECK KITCHEN FAUCET, METAL LEVER HANDLES AND SPRAY | HNKM30

### TECHNICAL DETAILS

ADA Compliance: Yes  
Depth/Width: 11 11/16"  
Height: 14 1/2"  
Primary Material: Brass  
Restricted Maximum Flow Rate: 1.75 gpm  
Spout Swivel: Y  
Suggested Application: Bar, Kitchen, Laundry

### INSPIRATION

Influenced by the connection of industry and art Henry easily transitions between modern, traditional, utilitarian and classic settings.

### CODES & STANDARDS

HNKM30X, NSF/ANSI/CAN 61:Q < 1, NSF/ANSI/CAN 372, ASME A112.18.1/CSA B125.1, CEC, State of MA

### PRODUCT FEATURES

Built-in automatic diverter for spray operation. 4.

Quarter turn ceramic cartridge

Hot and/or Cold Mix for the Sidespray.

Available in cross and lever handle options

### CERTIFICATIONS



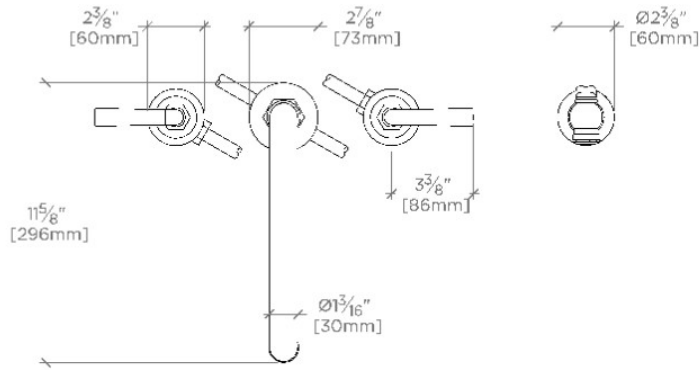
### PRODUCT (NOTES)

# WATERWORKS

## HENRY

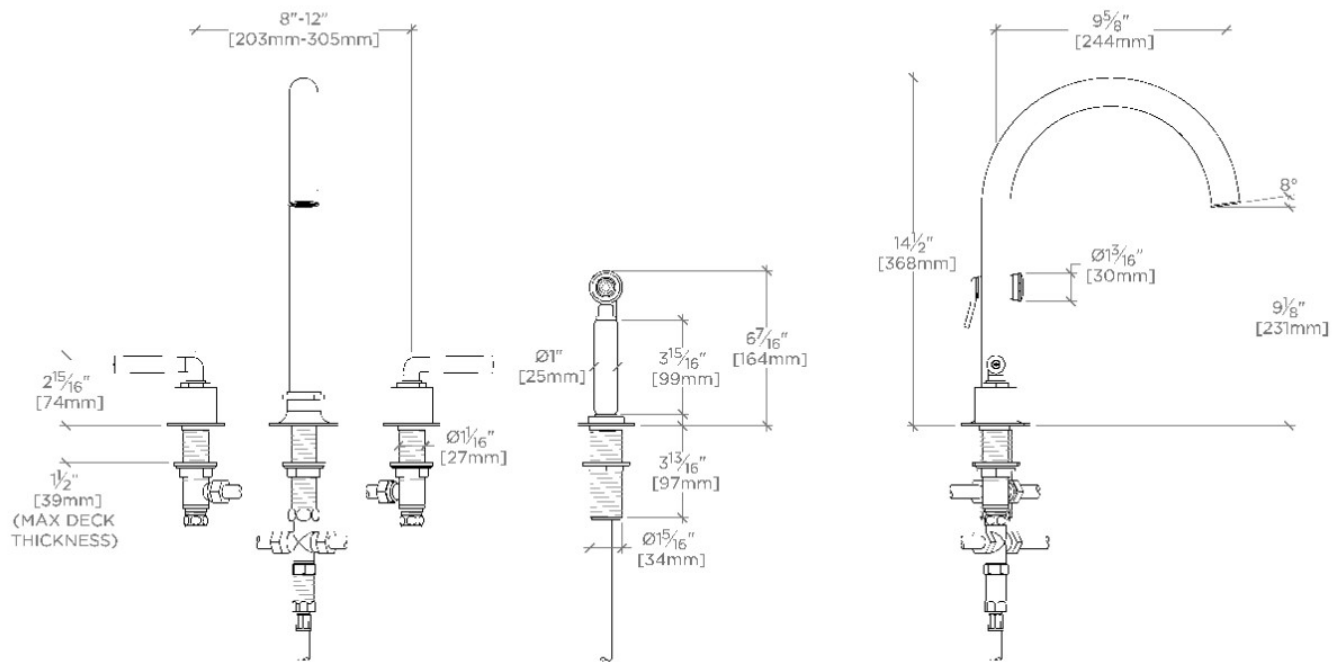
## HNKM30

Henry Three Hole Gooseneck Kitchen Faucet, Metal Lever  
Handles and Spray



TOP VIEW

SCALE: 1 1/2"=1'-0"



FRONT VIEW

SCALE: 1 1/2"=1'-0"

SIDE VIEW

SCALE: 1 1/2"=1'-0"