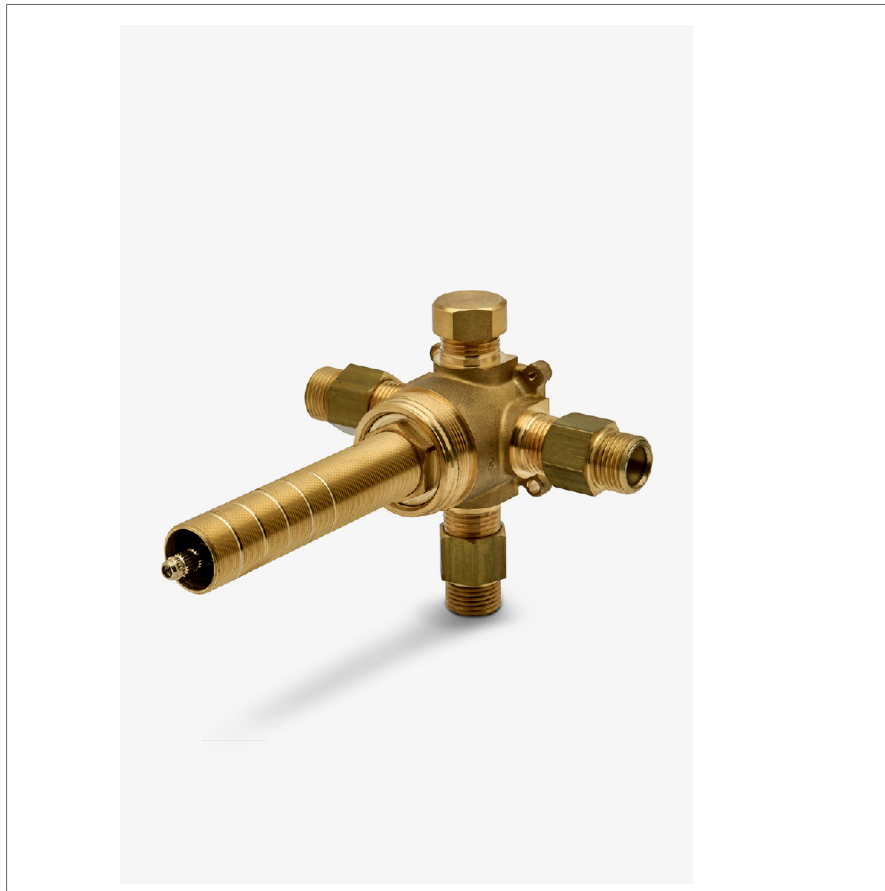


ViaWorks

GU2TDV

ViaWorks Two Way Diverter Valve for Thermostatic Shower Systems



SHOWN IN VIAWORKS TWO WAY DIVERTER VALVE FOR THERMOSTATIC SHOWER SYSTEMS | GU2TDV

TECHNICAL DETAILS

Fittings Hole Diameter: 51 mm
Handle Turn Angle: Quarter Turn Each Way
Inlet Connection Size: 1/2"
Inlet Connection Type: Male G/BSPP
Outlet Connection Size: 1/2"
Outlet Connection Type: Male G/BSPP
Primary Material: Brass
Valve Material: Ceramic
Water Pressure Maximum: 6.0 bar
Water Pressure Minimum: 1.5 bar
Water Pressure Recommended: 3.0 bar

INSPIRATION

The ViaWorks collection encompasses all Waterworks valves, which are just as impeccably engineered as our legendary fittings and the finest the industry has to offer in terms of performance, features and functionality. ViaWorks valves are engineered with more than three generations of bath and kitchen expertise, each with installers and lifelong service in mind.

CODES & STANDARDS

PRODUCT FEATURES

For use with Thermostatic systems with two-way diverter valve trims

1/2" NPT male inlet and outlets with quarter turn functionality

16 gpm (gallons per minute) unrestricted maximum flow at 60 psi

Custom tile guard ensures precise tiling, while providing accessibility in servicing the valve.

Made in Europe of Brass Construction

CERTIFICATIONS

PRODUCT (NOTES)

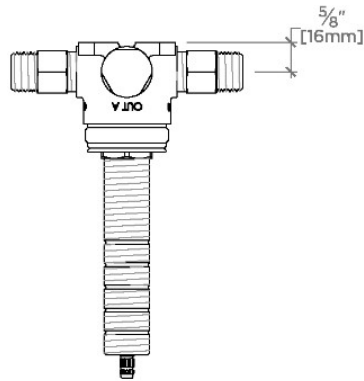
WATERWORKS

ViaWorks

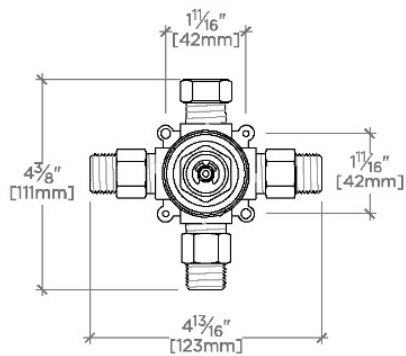
GU2TDV

ViaWorks Two Way Diverter Valve for Thermostatic Shower Systems

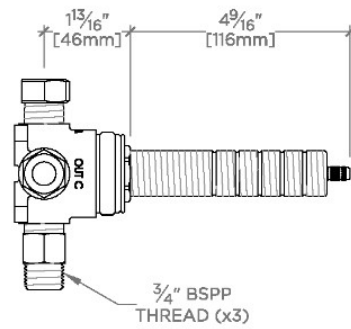
ADAPTER(S) PACKAGED SEPARATELY		
ADAPTER	DESCRIPTION	QTY
UNUK03	1/2" NPT FEMALE x 1/2" MALE BSPP ADAPTER	3



TOP VIEW SCALE: 3"=1'-0"



FRONT VIEW SCALE: 3"=1'-0"



SIDE VIEW SCALE: 3"=1'-0"