

HENRY

HNLS60

Henry Wall Mounted Lavatory Faucet with Cross Handles



SHOWN IN HENRY WALL MOUNTED LAVATORY FAUCET WITH CROSS HANDLES | HNLS60

TECHNICAL DETAILS

ADA Compliance: Yes
Fittings Hole Diameter: 1 3/8"
Flow Restriction Options: 1.0 , 1.2 , 1.5 , 1.75, 2.2
Handle Spread Maximum: 8"
Handle Spread Minimum: 8"
Inlet Connection Size: 1/2"
Inlet Connection Type: Female NPT
Restricted Maximum Flow Rate: 1.2 gpm
Suggested Application: Bath
Water Pressure Maximum: 85.0 psi
Water Pressure Minimum: 20.0 psi
Water Pressure Recommended: 45.0 psi

INSPIRATION

Influenced by the connection of industry and art Henry easily transitions between modern, traditional, utilitarian and classic settings.

CODES & STANDARDS

NSF/ANSI/CAN 61:Q < 1, CEC, State of MA

PRODUCT FEATURES

Includes European push touch style drain.

Meets or exceeds the Weighted Average Lead Requirements of 0.25%.

Standard flow rate is 2.2gpm (8.3 L/min) and State of California requires 1.2gpm(4.5 L/min). Also available in other flow options. Contact a sales associate for details.

CERTIFICATIONS

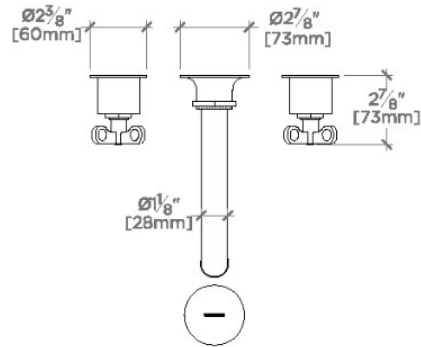
PRODUCT (NOTES)

WATERWORKS

HENRY

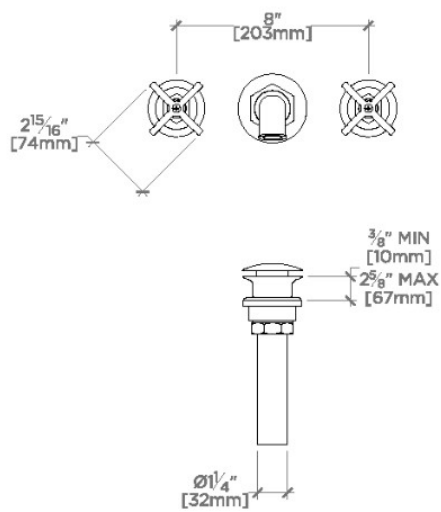
HNLS60

Henry Wall Mounted Lavatory Faucet with Cross Handles



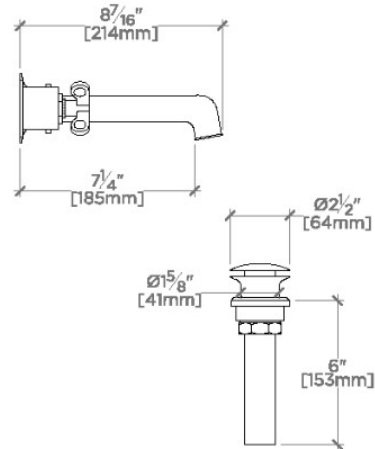
TOP VIEW

SCALE: 1 1/2"=1'-0"



FRONT VIEW

SCALE: 1 1/2"=1'-0"



SIDE VIEW

SCALE: 1 1/2"=1'-0"