

Henry Chronos

CNWH18

Henry Chronos 18" Wall Mounted 90 Degree Shower Arm with Flange



SHOWN IN HENRY CHRONOS 18" WALL MOUNTED 90 DEGREE SHOWER ARM WITH FLANGE | CNWH18

TECHNICAL DETAILS

Fittings Hole Diameter: 32 mm
Inlet Connection Size: 1/2"
Inlet Connection Type: Male NPT
Outlet Connection Size: 1/2"
Outlet Connection Type: Male NPT
Water Pressure Recommended: 3.0 bar

INSPIRATION

Inspired by dive watches, Henry Chronos radiates design prowess and technical precision. Chronos retains the design integrity of our original, iconic Henry collection, while imbuing it with modern details and exquisite materials.

CODES & STANDARDS

PRODUCT FEATURES

Compatible with an assortment of Waterworks showerheads, sold separately

Brass Construction

Includes 18" wall mounted 90 degree shower arm

Stocked in Chrome, Nickel and Brass

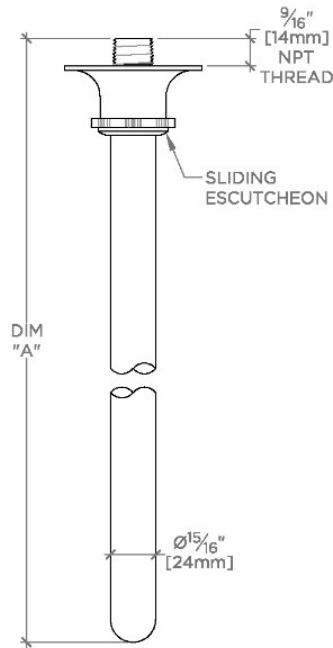
CERTIFICATIONS

PRODUCT (NOTES)

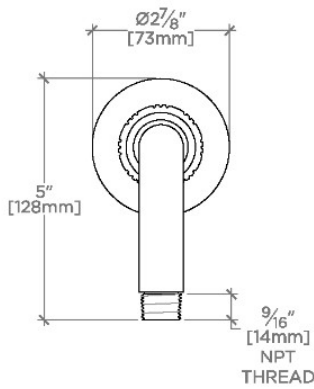
Henry Chronos

CNWH18

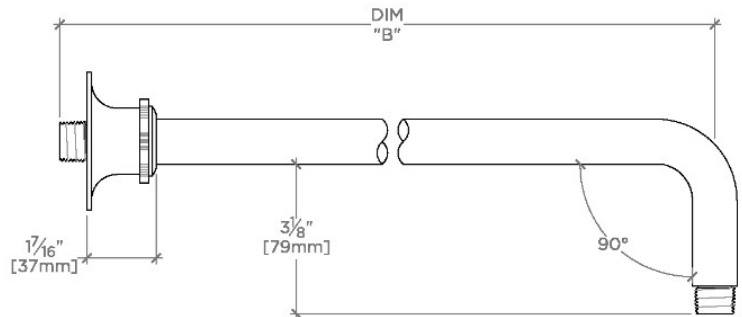
Henry Chronos 18" Wall Mounted 90 Degree Shower Arm with Flange



TOP VIEW SCALE: 3"=1'-0"



FRONT VIEW SCALE: 3"=1'-0"



SIDE VIEW SCALE: 3"=1'-0"

STYLE NO.	DIM "A"	DIM "B"
CNWH12	$13\frac{1}{16}$ " [331mm]	$12\frac{1}{2}$ " [319mm]
CNWH18	$19\frac{1}{16}$ " [484mm]	$18\frac{1}{2}$ " [472mm]
CNWH22	$23\frac{1}{16}$ " [585mm]	$22\frac{1}{2}$ " [572mm]