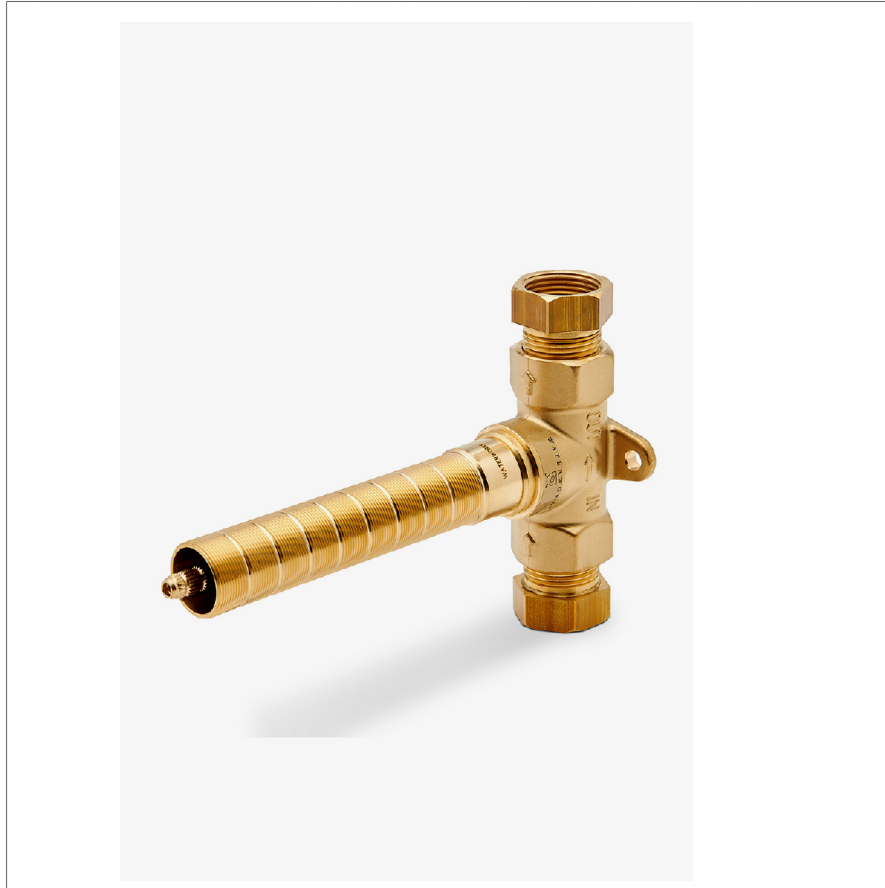


ViaWorks

GU16VC

ViaWorks 3/4" Counter-Clockwise Open Volume Control Valve with Exact Handle Alignment



SHOWN IN VIAWORKS 3/4" COUNTER-CLOCKWISE OPEN VOLUME CONTROL VALVE WITH EXACT HANDLE ALIGNMENT | GU16VC

TECHNICAL DETAILS

Depth/Width: 140 mm
Fittings Hole Diameter: 35 mm
Handle Turn Angle: Quarter Turn
Height: 76 mm
Inlet Connection Size: 3/4"
Inlet Connection Type: Female G/BSPP
Length: 32 mm
Outlet Connection Size: 3/4"
Outlet Connection Type: Female G/BSPP
Primary Material: Brass
Suggested Application: Bath
Valve Material: Ceramic
Water Pressure Maximum: 6.0 bar
Water Pressure Minimum: 1.5 bar
Water Pressure Recommended: 3.0 bar

INSPIRATION

The ViaWorks collection encompasses all Waterworks valves, which are just as impeccably engineered as our legendary fittings and the finest the industry has to offer in terms of performance, features and functionality. ViaWorks valves are engineered with more than three generations of bath and kitchen expertise, each with installers and lifelong service in mind.

CODES & STANDARDS

Code # : ASME A112.18.1, CSA B125, State of Ma, IAPMO

PRODUCT FEATURES

Customize your bath experience with a counter-clockwise open cartridge rough, for use with Waterworks wall valve trims.

3/4" NPT female inlet and outlet with quarter turn functionality

Custom tile guard ensures precise tiling, while providing accessibility in servicing the valve.

Combine multiple volume control valves within a single shower to operate multiple shower components simultaneously

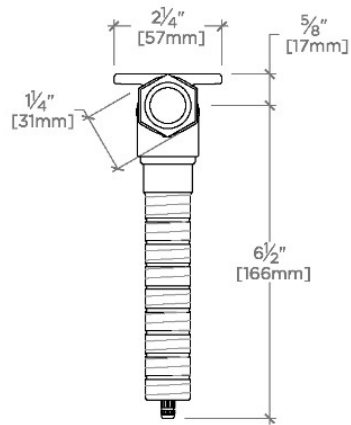
Made in Europe of Brass Construction

CERTIFICATIONS

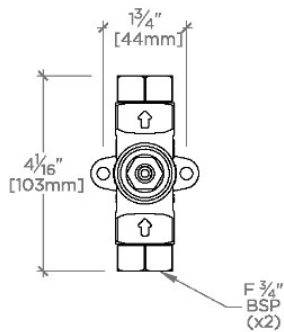
PRODUCT (NOTES)

ViaWorks 3/4" Counter-Clockwise Open Volume Control Valve with Exact Handle Alignment

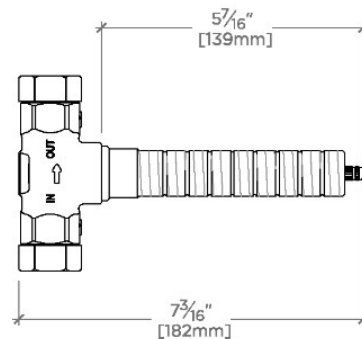
ADAPTER(S) PACKAGED SEPARATELY		
ADAPTER	DESCRIPTION	QTY
UNUK01	3/4" Male NPT x 3/4" Female BSP	2



TOP VIEW SCALE: 3"=1'-0"



FRONT VIEW SCALE: 3"=1'-0"



SIDE VIEW SCALE: 3"=1'-0"