

## SMYTH

## SMBT8B

Smyth 72" x 36" x 18" Rectangular Bathtub with Center Drain and LINEAR Integrated Waste and Overflow



SHOWN IN SMYTH 72" X 36" X 18" RECTANGULAR BATHTUB WITH CENTER DRAIN AND LINEAR INTEGRATED WASTE AND OVERFLOW | SMBT8B

### TECHNICAL DETAILS

ADA Compliance: When installed per ADA guidelines  
 Adjustable Levelers Feet: Y  
 Assembly Configuration: One Piece  
 Bathing Type: Bathing, Soaking and Showering  
 Bathing Well Sitting Angle: 110 degree\_angle  
 Depth To Overflow: 11 3/8"  
 Depth/Width: 33"  
 Drain Hole Depth: 5/8"  
 Drain Hole Diameter: 2"  
 Drilling Option: None  
 Height: 20"  
 Installation Type: Drop In or Undermount  
 Item Weight Filled: 960.0 pounds  
 Length: 71"  
 Overflow Opening: Yes  
 Primary Material: Acrylic  
 Single Or Double Ended: Double Ended  
 Suggested Application: Bath

### INSPIRATION

Our Berkley and Smyth collections encompass core elements for every bath. These collections are perfect for all design aesthetics.

### CODES & STANDARDS

cUL Model Number: 7236; CSA B45.5/IAPMO Z124

### PRODUCT FEATURES

Our Berkley and Smyth tubs are made in the USA of acrylic material.

Rectangular Drop in or Undermount tubs with tight interior corners

The Berkley and Smyth are available with an integrated slot overflow and standard/no integrated overflow.

Marble surround (Bardiglio shown) and ceramic tile (Cottage in Blanca shown) are sold separately from the bathtub.

Our Smyth/Berkley Tubs that are 18" Deep meet the ADA depth requirements.

### CERTIFICATIONS



### PRODUCT (NOTES)

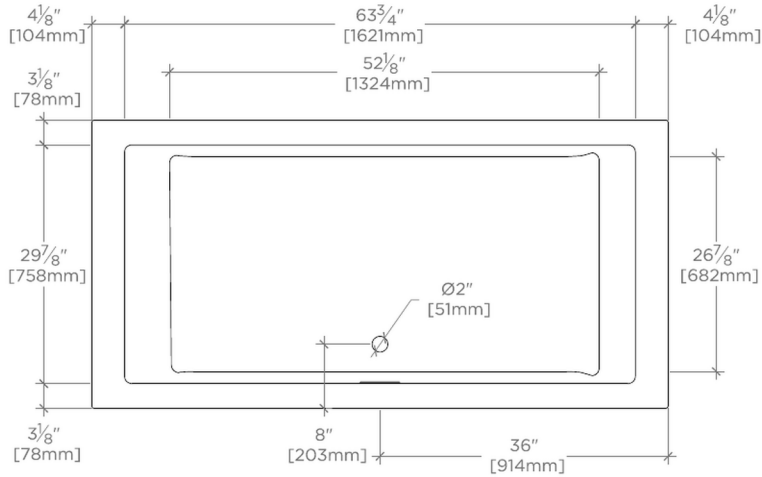
# WATERWORKS

**SMYTH**

**SMBT8B**

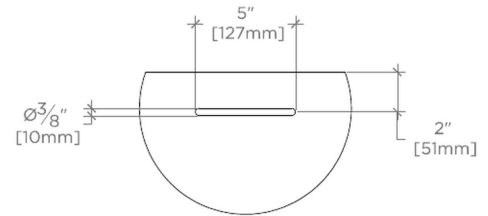
Smyth 72" x 36" x 18" Rectangular Bathtub with Center Drain and LINEAR Integrated Waste and Overflow

\*ALL DIMENSIONS ARE +/- 1/2" [13mm]



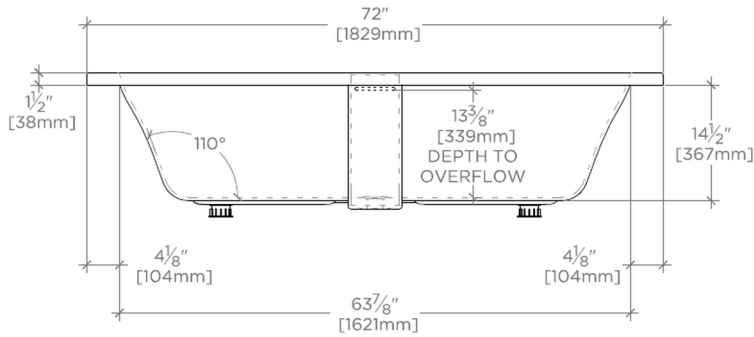
TOP VIEW

SCALE: 1/2"=1'-0"



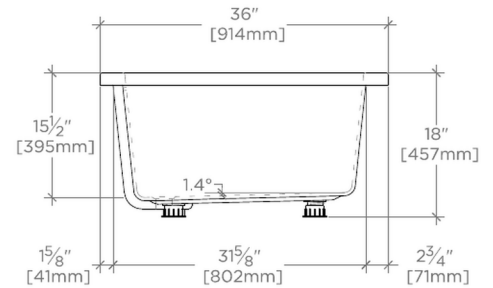
OVERFLOW DETAILS

DO NOT SCALE



SIDE VIEW

SCALE: 1/2"=1'-0"



END VIEW

SCALE: 1/2"=1'-0"