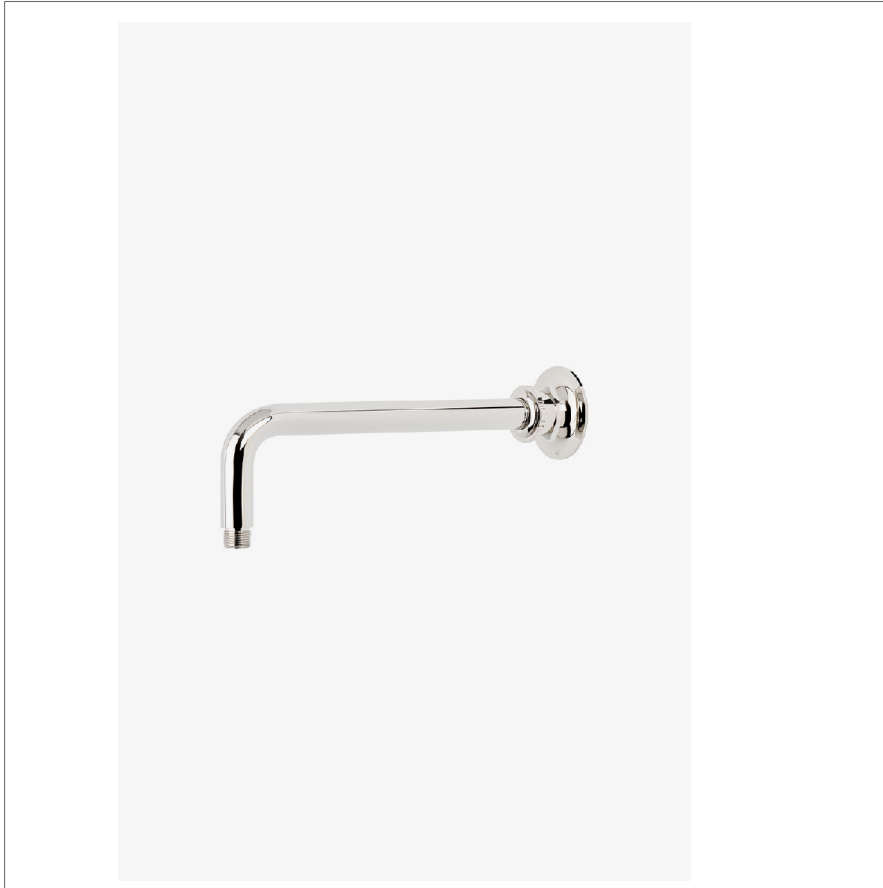


## Henry Chronos

CNWH12

Henry Chronos 12" Wall Mounted 90 Degree Shower Arm with Flange



SHOWN IN HENRY CHRONOS 12" WALL MOUNTED 90 DEGREE SHOWER ARM WITH FLANGE | CNWH12

### TECHNICAL DETAILS

Fittings Hole Diameter: 32 mm  
Inlet Connection Size: 1/2"  
Inlet Connection Type: Male NPT  
Outlet Connection Size: 1/2"  
Outlet Connection Type: Male NPT  
Water Pressure Recommended: 3.0 bar

### INSPIRATION

Inspired by dive watches, Henry Chronos radiates design prowess and technical precision. Chronos retains the design integrity of our original, iconic Henry collection, while imbuing it with modern details and exquisite materials.

### CODES & STANDARDS

### PRODUCT FEATURES

Compatible with an assortment of Waterworks showerheads, sold separately

Brass Construction

Includes 12" wall mounted 90 degree shower arm

Stocked in Chrome, Nickel and Brass

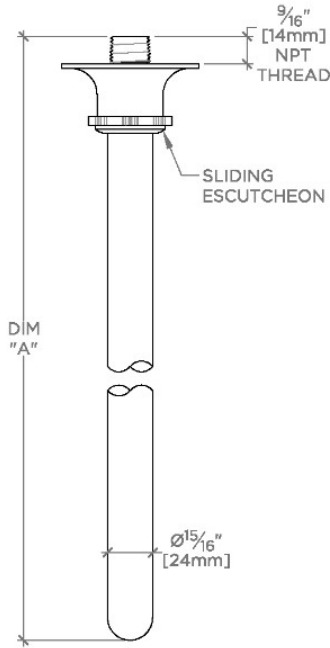
### CERTIFICATIONS

### PRODUCT (NOTES)

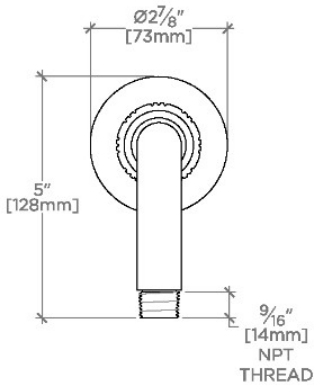
## Henry Chronos

CNWH12

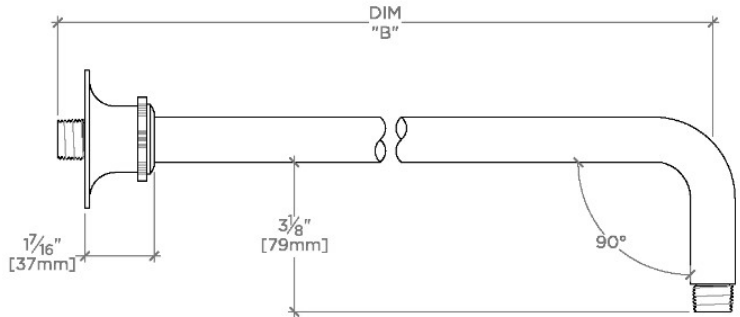
Henry Chronos 12" Wall Mounted 90 Degree Shower Arm with Flange



TOP VIEW SCALE: 3"=1'-0"



FRONT VIEW SCALE: 3"=1'-0"



SIDE VIEW SCALE: 3"=1'-0"

STYLE NO.	DIM "A"	DIM "B"
CNWH12	$13\frac{3}{16}$ " [331mm]	$12\frac{1}{2}$ " [319mm]
CNWH18	$19\frac{1}{16}$ " [484mm]	$18\frac{1}{2}$ " [472mm]
CNWH22	$23\frac{3}{16}$ " [585mm]	$22\frac{1}{2}$ " [572mm]