

## Pullman

PUCB01

Pullman Recessed Wood Rectangular Wall Mounted  
Medicine Cabinet with Hardware 24" x 32" x 1"



SHOWN IN PULLMAN RECESSED WOOD RECTANGULAR WALL MOUNTED MEDICINE CABINET WITH HARDWARE 24" X 32" X 1" | PUCB01

### TECHNICAL DETAILS

Installation Type: Wall Mounted  
Number Of Drawers Shelves: Two  
Primary Material: Brass and Mirror

### INSPIRATION

A custom, layered look that transcends eras. Our exclusive design references iconic campaign furniture & Regency forms, with hand-applied metalwork & integrated hardware.

### CODES & STANDARDS

### PRODUCT FEATURES

24"W x 32"H x 1"D with integrated hardware and a 4"D cabinet box

Stocked in Clear Oak, Antique Walnut Finish or Factory Finished in Chalk, Driftwood, Midnight, Steel, Franklin Gray, or Whisper

2 Adjustable Glass Shelves

Specify Brass or Nickel Hardware when ordering

Cabinet interiors are walnut for painted and walnut exteriors, and oak for oak exteriors

### CERTIFICATIONS

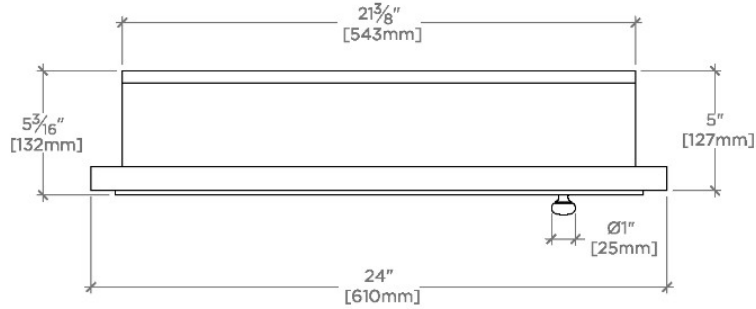
### PRODUCT (NOTES)

# WATERWORKS

## Pullman

PUCB01

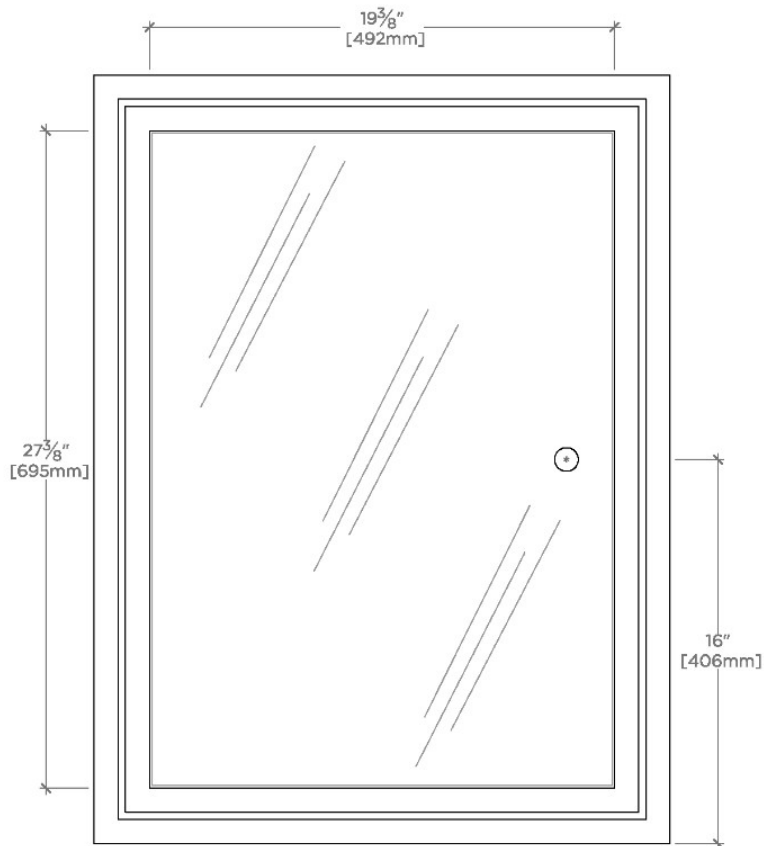
Pullman Recessed Wood Rectangular Wall Mounted  
Medicine Cabinet with Hardware 24" x 32" x 1"



TOP VIEW

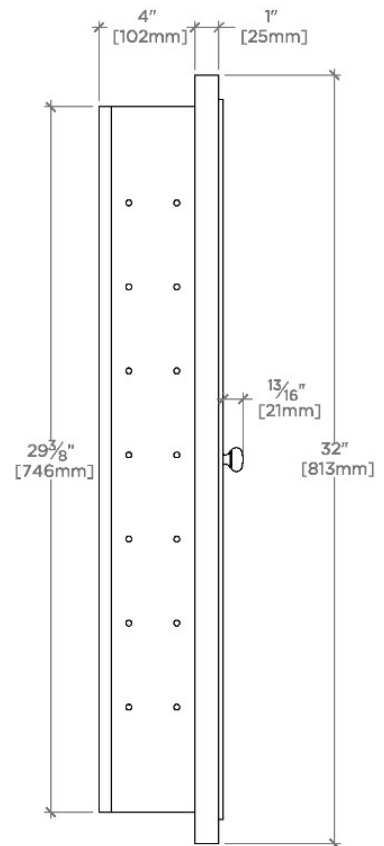
SCALE: 1<sup>1</sup>/<sub>2</sub>"=1'-0"

\* KNOB CAN BE INSTALLED ON THE LEFT OR RIGHT  
SIDE OF GLASS, DEPENDENT ON DESIRED DIRECTION  
OF DOOR OPENING.



FRONT VIEW

SCALE: 1<sup>1</sup>/<sub>2</sub>"=1'-0"



SIDE VIEW

SCALE: 1<sup>1</sup>/<sub>2</sub>"=1'-0"