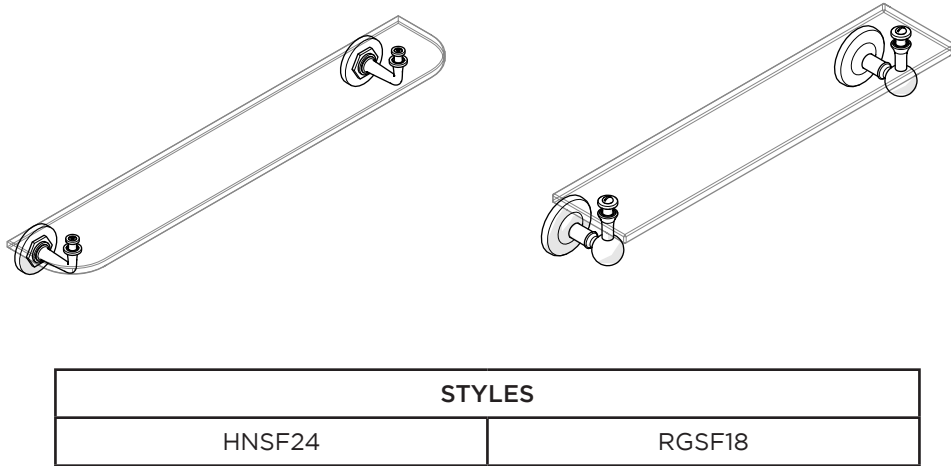


INSTALLATION GUIDELINES

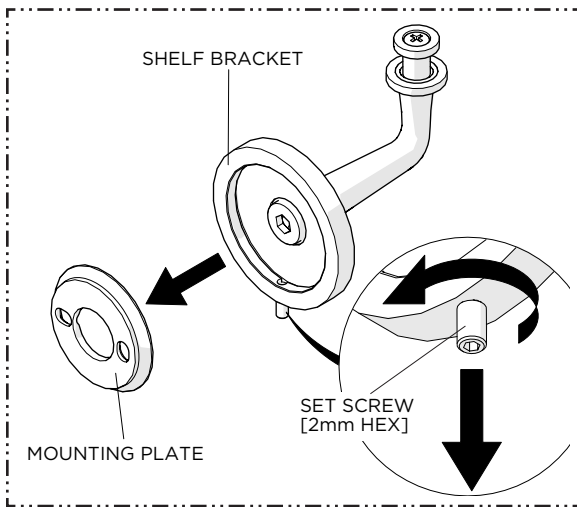
WALL MOUNTED ACCESSORIES

HENRY AND REGULATOR GLASS SHELF

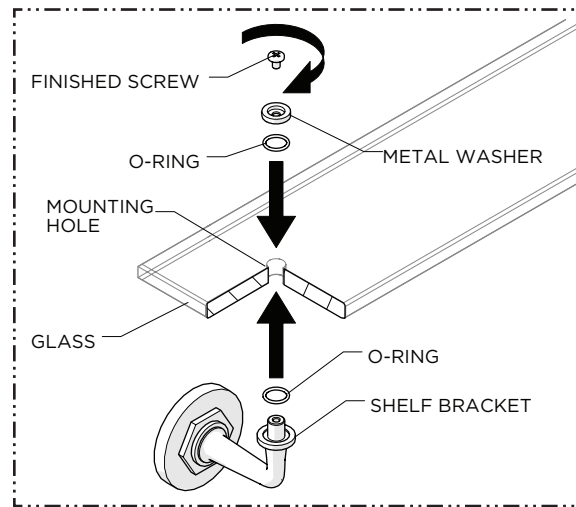


IMPORTANT:

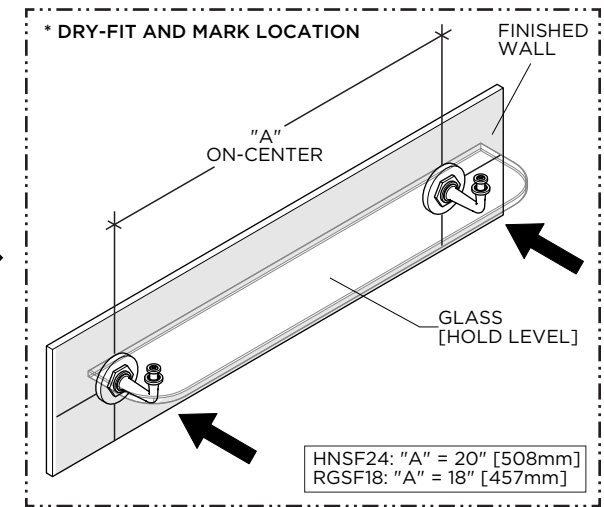
- To ensure this product is installed properly, you must read and follow these guidelines.
- The owner/user of this product must keep this information for future reference.
- This product must be installed by a professional licensed contractor.
- Inspect this product to ensure you have all the parts required for proper installation.
- Use only a strap wrench or protected/smooth-jaw wrench on any finished surface.
- DRYWALL ANCHORS for a typical drywall installation are provided. Do NOT use the ANCHORS if mounting directly onto wood blocking or a stud.
- If further assistance is required, please contact Product Support at 1-800-927-2120 Monday through Friday, 8am - 6pm EST.
- Refer to the separate Service Parts Documents for available replacement parts.



1. Loosen, but do **NOT** remove, the SET SCREW on the bottom of each SHELF BRACKET using a 2mm HEX KEY and remove the MOUNTING PLATES.



2. **LOOSELY** assemble both the SHELF BRACKETS onto the GLASS making sure to use the O-RINGS provided to prevent damage.



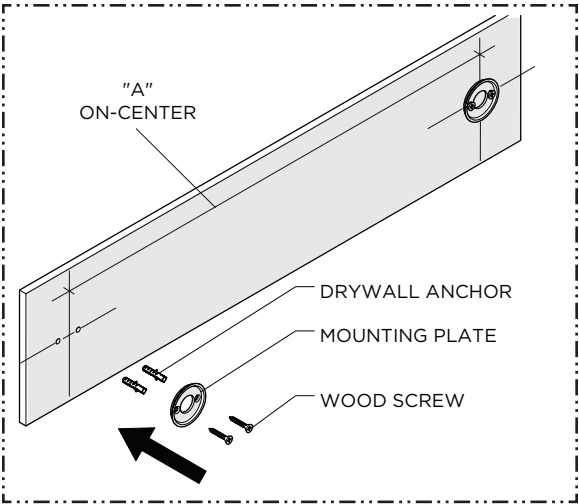
3. Dry-fit the product to the finished wall and mark the ideal location making sure to hold the product level.

NOTE: Verify the on-center spread, Dimension "A".

HNSF24: "A" = 20" [508mm]
RGSF18: "A" = 18" [457mm]

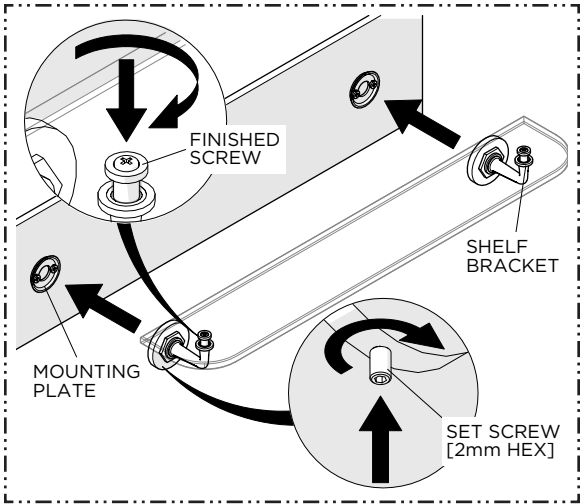
INSTALLATION GUIDELINES

WALL MOUNTED ACCESSORIES



4. Using the previous marks as a reference, install the MOUNTING PLATES using the SCREWS and ANCHORS provided.

CAUTION: Ensure the MOUNTING PLATES are level and at the desired on-center spread, Dimension "A".



5. Place the BRACKETS over the MOUNTING PLATES and securely tighten the SET SCREWS and FINISHED SCREWS.