

## VIAWORKS

## GUDV2T

ViaWorks Two Way Diverter Valve for Thermostatic Shower Systems



SHOWN IN VIAWORKS TWO WAY DIVERTER VALVE FOR THERMOSTATIC SHOWER SYSTEMS | GUDV2T

### TECHNICAL DETAILS

Fittings Hole Diameter: 2"  
Handle Turn Angle: Quarter Turn Each Way  
Inlet Connection Size: 1/2"  
Inlet Connection Type: Male NPT  
Outlet Connection Size: 1/2"  
Outlet Connection Type: Male NPT  
Primary Material: Brass  
Valve Material: Ceramic  
Water Pressure Maximum: 85.0 psi  
Water Pressure Minimum: 20.0 psi  
Water Pressure Recommended: 45.0 psi

### INSPIRATION

The ViaWorks collection encompasses all Waterworks valves, which are just as impeccably engineered as our legendary fittings and the finest the industry has to offer in terms of performance, features and functionality. ViaWorks valves are engineered with more than three generations of bath and kitchen expertise, each with installers and lifelong service in mind.

### CODES & STANDARDS

ASME A112.18.1/CSA B125.1

### PRODUCT FEATURES

For use with Thermostatic systems with two-way diverter valve trims

1/2" BSPP male inlet and outlets with quarter turn functionality

16 gpm (gallons per minute) unrestricted maximum flow at 60 psi

Custom tile guard ensures precise tiling, while providing accessibility in servicing the valve.

Made in Europe of Brass Construction

### CERTIFICATIONS

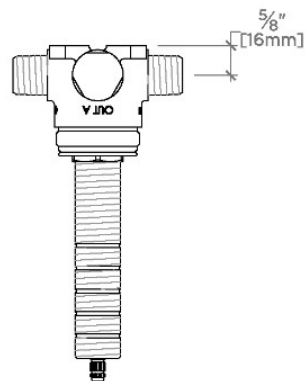


### PRODUCT (NOTES)

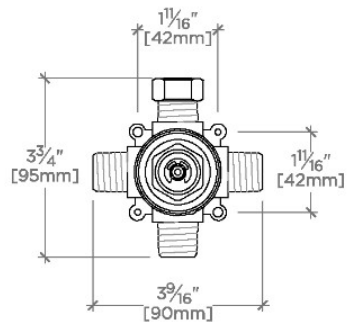
## VIAWORKS

## GUDV2T

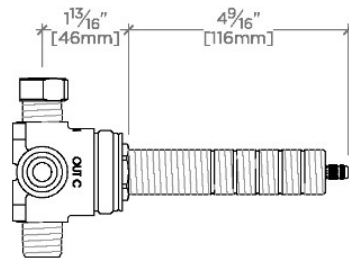
ViaWorks Two Way Diverter Valve for Thermostatic Shower Systems



TOP VIEW SCALE: 3"=1'-0"



FRONT VIEW SCALE: 3"=1'-0"



SIDE VIEW SCALE: 3"=1'-0"