

.25

PTTH58

.25 Thermostatic Control Valve Trim with Metal Lever Handle



SHOWN IN .25 THERMOSTATIC CONTROL VALVE TRIM WITH METAL LEVER HANDLE| PTTH58

TECHNICAL DETAILS

ADA Compliance: Yes
 Control Valve Rough-in Depth Maximum: 254 mm
 Control Valve Rough-in Depth Minimum: 79 mm
 Diverter Valve Rough-in Depth Maximum: 95 mm
 Diverter Valve Rough-in Depth Minimum: 64 mm
 Escutcheon Primary Material: Brass
 Depth / Width: 10 mm
 Height: 102 mm
 Integrated Diverter: N
 Length: 102 mm
 Number of Handles: One
 Primary Material: Brass
 Suggested Application: Bath

INSPIRATION

.25 is the ultimate in utilitarian elegance: A simple and understated design that is equally functional and beautiful.

CODES & STANDARDS

Code # PTSV58: ASME A112.18.1 / CSA B125.1, IAPMO, State of MA

PRODUCT FEATURES

A solid brass trim plate featuring H & C markings and the Waterworks logo
 Allows adjustment of temperature of all waterway outlets
 Must be used in conjunction with volume control or diverter valve with shutoff

CERTIFICATIONS



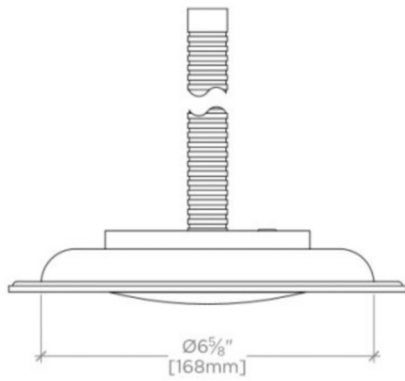
PRODUCT (NOTES)

Valve sold separately.

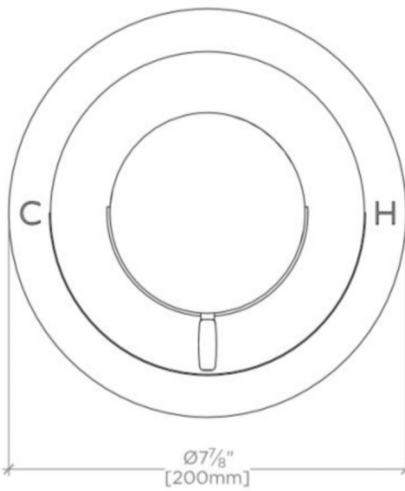
.25

PTTH58

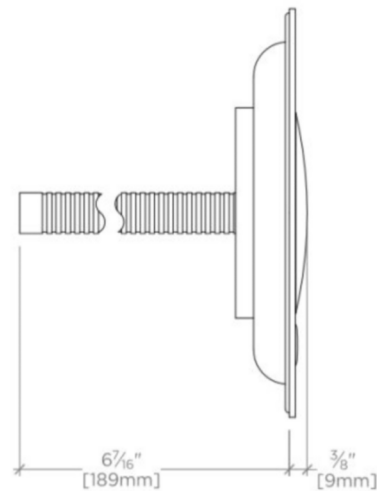
.25 Thermostatic Control Valve Trim with Metal Lever Handle



TOP VIEW SCALE: 3"=1'-0"



FRONT VIEW SCALE: 3"=1'-0"



SIDE VIEW SCALE: 3"=1'-0"