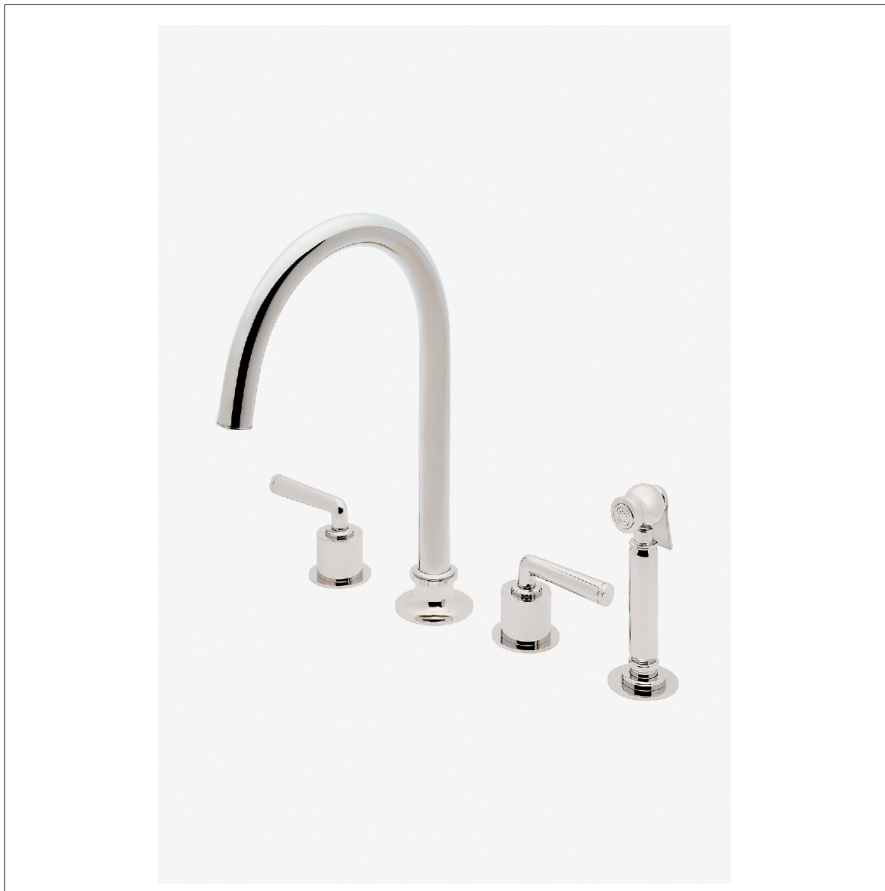


## HENRY CHRONOS

CKM311

Henry Chronos Three Hole Gooseneck Kitchen Faucet with Lever Handles and Spray



SHOWN IN HENRY CHRONOS THREE HOLE GOOSENECK KITCHEN FAUCET WITH LEVER HANDLES AND SPRAY | CKM311

### TECHNICAL DETAILS

ADA Compliance: Yes  
 Deck Thickness Maximum: 1 1/16"  
 Deck Thickness Minimum: 5/16"  
 Fittings Hole Diameter: 1 3/8"  
 Handle Turn Angle: Quarter Turn  
 Handshower Spray Hose Length: 59"  
 Inlet Connection Size: 1/2"  
 Inlet Connection Type: Male with Supply Nut  
 Restricted Maximum Flow Rate: 1.75 gpm  
 Spout Swivel: Y  
 Spray Included In Unit: Y  
 Valve Material: Brass and Ceramic  
 Water Pressure Maximum: 85.0 psi  
 Water Pressure Minimum: 20.0 psi  
 Water Pressure Recommended: 45.0 psi

### INSPIRATION

Inspired by dive watches, Henry Chronos radiates design prowess and technical precision. Chronos retains the design integrity of our original, iconic Henry collection, while imbuing it with modern details and exquisite materials.

### CODES & STANDARDS

CKM311X, NSF/ANSI/CAN 61:Q < 1, NSF/ANSI/CAN 372, ASME A112.18.1/CSA B125.1

### PRODUCT FEATURES

Features Lever Handles

Stocked in Chrome, Nickel, and Brass

Available in 1.75 gpm (6.6 L/min) flow rate

Single function sidespray

### CERTIFICATIONS



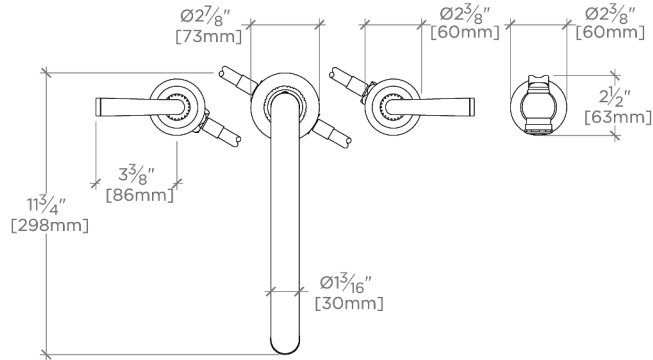
### PRODUCT (NOTES)

# WATERWORKS

## HENRY CHRONOS

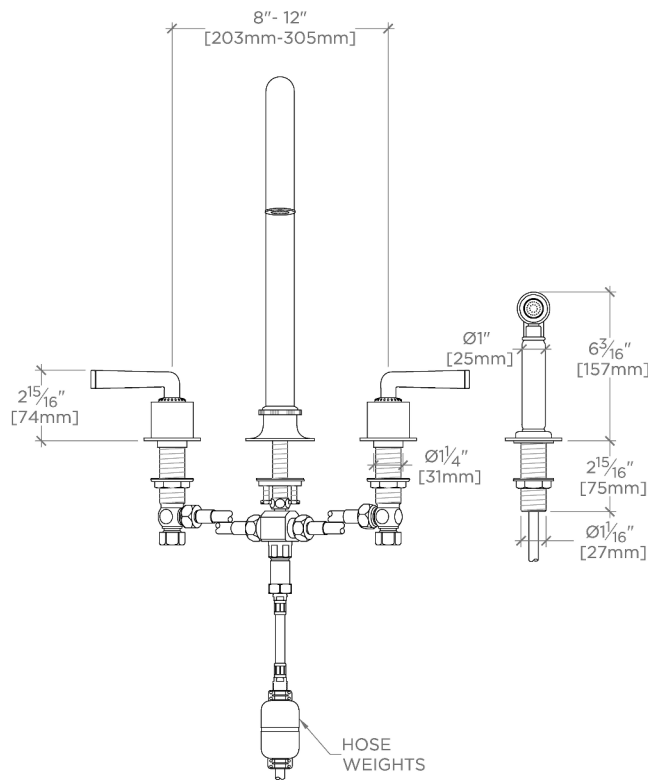
CKM311

Henry Chronos Three Hole Gooseneck Kitchen Faucet with  
Lever Handles and Spray



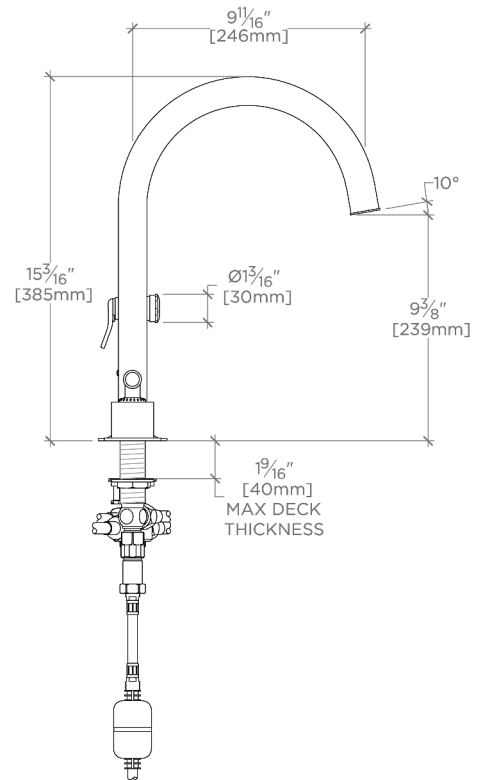
TOP VIEW

SCALE:  $1\frac{1}{2}$ "=1'-0"



FRONT VIEW

SCALE:  $1\frac{1}{2}$ "=1'-0"



SIDE VIEW

SCALE:  $1\frac{1}{2}$ "=1'-0"