

PULLMAN

PUCB01

Pullman Recessed Wood Rectangular Wall Mounted
Medicine Cabinet with Hardware 24" x 32" x 1"



SHOWN IN PULLMAN RECESSED WOOD RECTANGULAR WALL MOUNTED MEDICINE CABINET WITH HARDWARE 24" X 32" X 1" | PUCB01

TECHNICAL DETAILS

Installation Type: Wall Mounted
Number Of Drawers Shelves: Two
Primary Material: Brass and Mirror

INSPIRATION

A custom, layered look that transcends eras. Our exclusive design references iconic campaign furniture & Regency forms, with hand-applied metalwork & integrated hardware.

CODES & STANDARDS

PRODUCT FEATURES

24"W x 32"H x 1"D with integrated hardware and a 4"D cabinet box

Stocked in Clear Oak, Antique Walnut Finish or Factory Finished in Chalk, Driftwood, Midnight, Steel, Franklin Gray, or Whisper

2 Adjustable Glass Shelves

Specify Brass or Nickel Hardware when ordering

Cabinet interiors are walnut for painted and walnut exteriors, and oak for oak exteriors

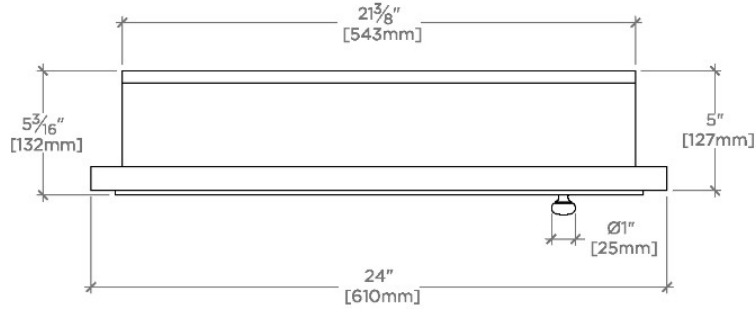
CERTIFICATIONS

PRODUCT (NOTES)

PULLMAN

PUCB01

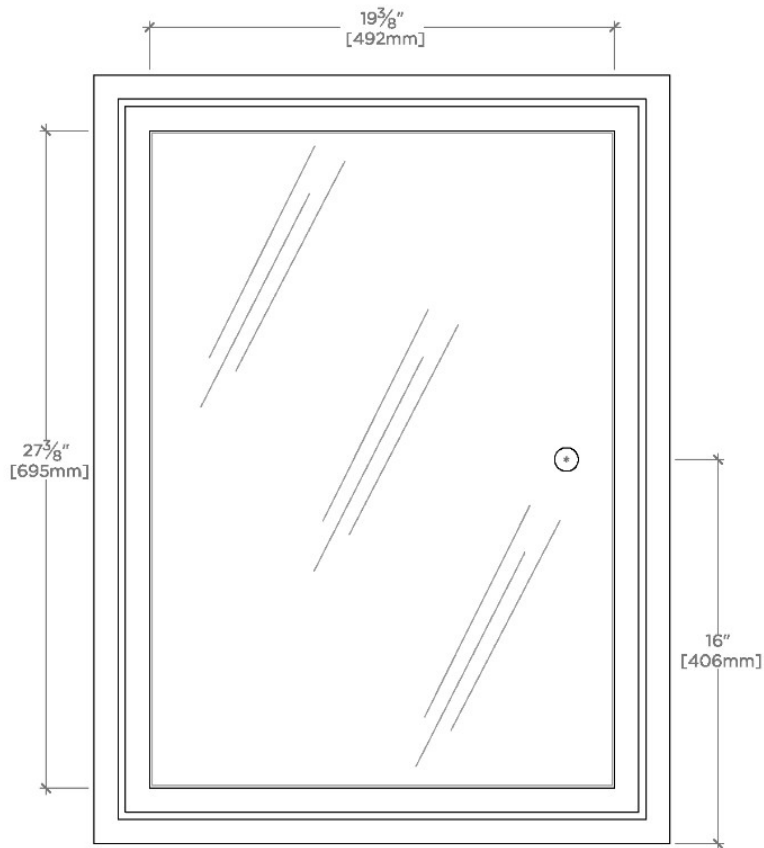
Pullman Recessed Wood Rectangular Wall Mounted
Medicine Cabinet with Hardware 24" x 32" x 1"



TOP VIEW

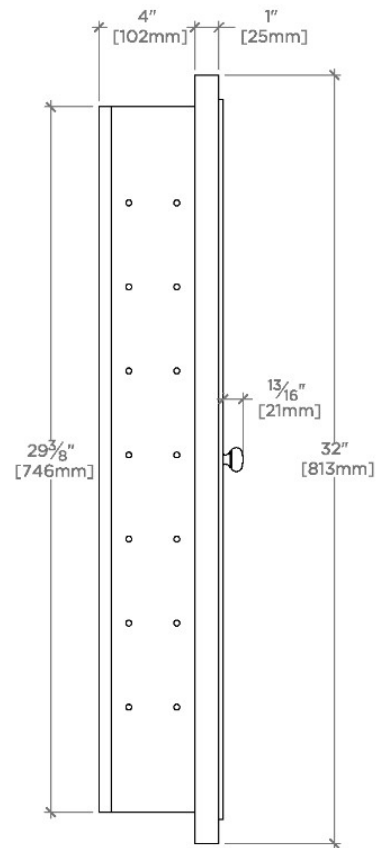
SCALE: 1¹/₂"=1'-0"

* KNOB CAN BE INSTALLED ON THE LEFT OR RIGHT SIDE OF GLASS, DEPENDENT ON DESIRED DIRECTION OF DOOR OPENING.



FRONT VIEW

SCALE: 1¹/₂"=1'-0"



SIDE VIEW

SCALE: 1¹/₂"=1'-0"