

Riverun

RRPB31

Riverun Pressure Balance with Diverter Trim with Lever Handle



SHOWN IN RIVERUN PRESSURE BALANCE WITH DIVERTER TRIM WITH LEVER HANDLE | RRPB31

TECHNICAL DETAILS

ADA Compliance: Yes
Fittings Hole Diameter: 89 mm
Integrated Diverter: Y
Number Of Holes: One Hole
Primary Material: Brass

INSPIRATION

This new American classic was designed with simplicity in mind. Featuring streamlined forms and honest details, it's the epitome of quiet elegance.

CODES & STANDARDS

ASME A112.18.1/CSA B125.1, State of MA

PRODUCT FEATURES

Features All Metal Lever Handle

Integrated diverter allows bather to move water between two sources

Stocked in Nickel and Brass

Requires rough valve, sold separately: GUPB87

CERTIFICATIONS

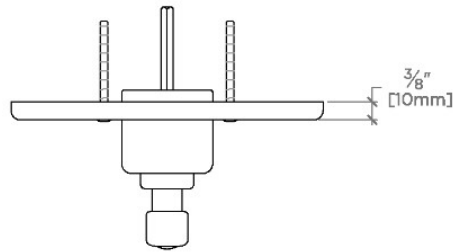


PRODUCT (NOTES)

Riverun

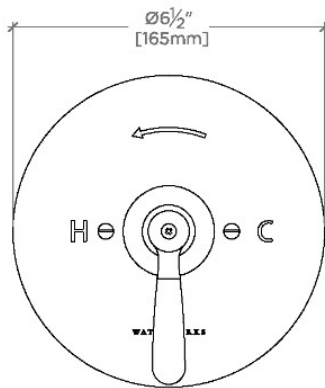
RRPB31

Riverun Pressure Balance with Diverter Trim with Lever Handle



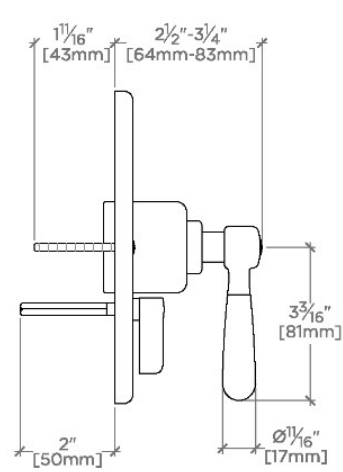
TOP VIEW

SCALE: 3"=1'-0"



FRONT VIEW

SCALE: 3"=1'-0"



SIDE VIEW

SCALE: 3"=1'-0"