

Doria

DOCP24

Doria Wall Mounted Marble Lavatory Sink 30" x 18" x 6" with 30" x 8" x 3/4" Backsplash and Tapered Pedestal 12" x 8 3/4" x 27"



SHOWN IN DORIA WALL MOUNTED MARBLE LAVATORY SINK 30" X 18" X 6" WITH 30" X 8" X 3/4" BACKSPLASH AND TAPERED PEDESTAL 12" X 8 3/4" X 27" | DOCP24

INSPIRATION

Shaped from a single block of hand-selected Italian marble, Doria exemplifies enduring elegance through its gentle curves and sculptural form. Radiused corners soften the design, while the integrated 9-inch backsplash adds height and drama.

PRODUCT FEATURES

Designed by and exclusive to Waterworks

Sourced and made in Italy

Carved from a solid block of stone. Packaged item weight: 343 lbs

Backsplash designed for wall mounted faucet and handles

Features an integrated overflow

TECHNICAL DETAILS

Depth To Overflow: 83 mm

Drain Hole Depth: 48 mm

Drain Hole Diameter: 44 mm

Drain Style: Center Drain

Fittings Hole Diameter: 35 mm

Overflow Opening: Yes

CODES & STANDARDS

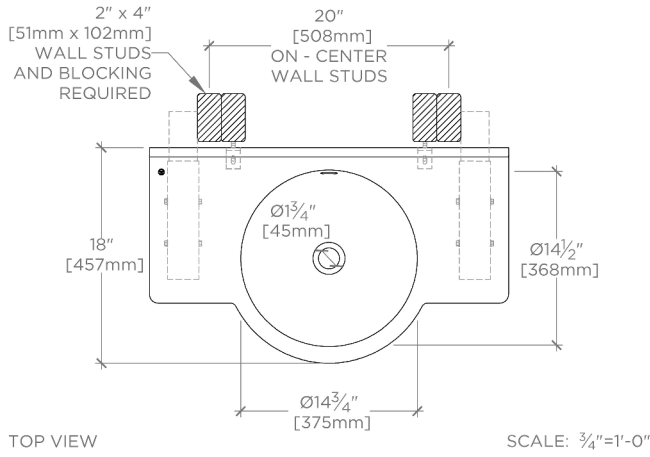
CERTIFICATIONS

PRODUCT (NOTES)

Doria

DOCP24

Doria Wall Mounted Marble Lavatory Sink 30" x 18" x 6" with 30" x 8" x 3/4" Backsplash and Tapered Pedestal 12" x 8 3/4" x 27"



REQUIRED MOUNTING HARDWARE (SOLD SEPARATELY)

STYLE: 106802

DESCRIPTION: UNIVERSAL PAIR (L/R) 14" STAINLESS STEEL ADJUSTABLE CONCEALED SUPPORT BRACKETS, WALL SUPPORT BRACKETS AND HARDWARE FOR WALL MOUNTED STONE SINK.

NOTE: THE SINK WILL BE SUPPORTED BY THE BRACKETS AND NOT THE PEDESTAL, ENSURE THE SINK IS NOT RESTING ON THE PEDESTAL TO AVOID DAMAGE.

