

## DASH

Thermostatic Control Valve Trim

DSTH01



SHOWN IN THERMOSTATIC CONTROL VALVE TRIM | DSTH01

### TECHNICAL DETAILS

ADA Compliance: Yes  
 Depth/Width: 4 5/16"  
 Escutcheon Primary Material: Brass  
 Fittings Hole Diameter: 5 1/4"  
 Installation Type: Wall Mounted  
 Length: 6 5/16"  
 Primary Material: Brass  
 Suggested Application: Bath

### INSPIRATION

An imaginative blend of art and function, Dash pays homage to design elements of the 1930s with pared-down shapes, softened curves and minimal details.

### CODES & STANDARDS

State of MA

### PRODUCT FEATURES

Metal Cross Handle

Allows bather to adjust temperature of all waterway outlets

Stocked in Nickel, Chrome, Unlacquered Brass, and Matte Nickel finishes

Requires valve rough GUTH37(USA) or GU37TH(UK) sold separately

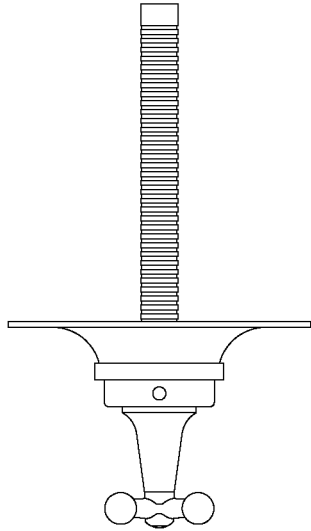
### CERTIFICATIONS



### PRODUCT (NOTES)

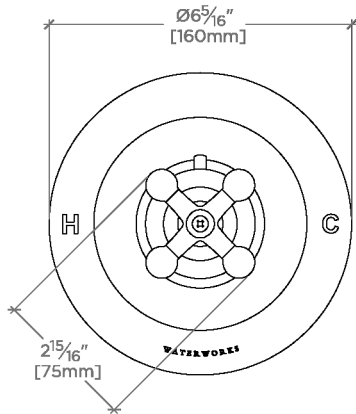
Product Requires Universal 3/4" Thermostatic Valve [GUTH37]. Valve Sold Separately.

Thermostatic Control Valve Trim



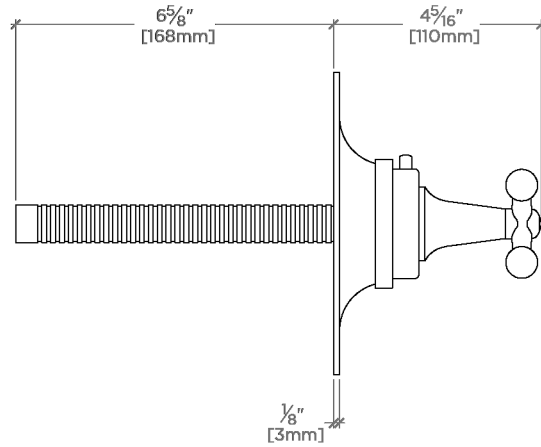
TOP VIEW

SCALE: 3"=1'-0"



FRONT VIEW

SCALE: 3"=1'-0"



SIDE VIEW

SCALE: 3"=1'-0"