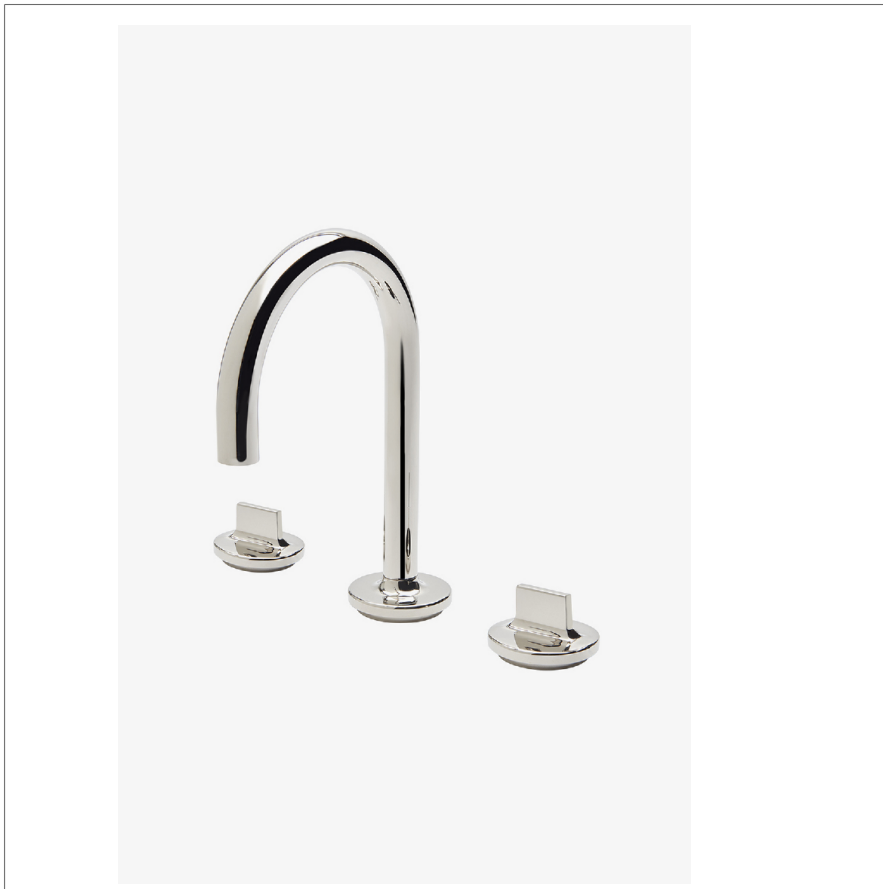


Formwork

FMLS20

Formwork Gooseneck Three Hole Deck Mounted Lavatory
Faucet with Metal Knob Handles



SHOWN IN FORMWORK GOOSENECK THREE HOLE DECK MOUNTED LAVATORY FAUCET WITH METAL KNOB HANDLES | FMLS20

TECHNICAL DETAILS

ADA Compliance: Yes
 Deck Thickness Maximum: 51 mm
 Deck Thickness Minimum: 10 mm
 Depth/Width: 191 mm
 Drain Depth Maximum: 67 mm
 Drain Depth Minimum: 10 mm
 Drain Hole Diameter: 44 mm
 Drain Style: Push Touch
 Escutcheon Primary Material: Brass
 Fittings Hole Diameter: 35 mm
 Flow Restriction Options: 1.0 , 1.2 , 1.5 , 1.75, 2.2
 Handle Spread Maximum: 305 mm
 Handle Spread Minimum: 203 mm
 Handle Turn Angle: Quarter Turn
 Height: 230 mm
 Inlet Connection Size: 1/2"
 Inlet Connection Type: Male with Supply Nut
 Inlet Supply Spread Maximum: 305 mm
 Inlet Supply Spread Minimum: 203 mm
 Length: 289 mm
 Number Of Holes: Three Hole
 Primary Material: Brass
 Restricted Maximum Flow Rate: 4.5 liters/min
 Spout Swivel: N
 Suggested Application: Bath
 Valve Material: Ceramic
 Water Pressure Maximum: 6.0 bar
 Water Pressure Minimum: 1.5 bar
 Water Pressure Recommended: 3.0 bar

INSPIRATION

Sculptural forms that defy the ordinary. Unexpected geometry and the transition of the planes create a subtle but warm expression.

CODES & STANDARDS

FMLS20X, NSF/ANSI/CAN 61:Q < 1, NSF/ANSI/CAN 372, CEC

PRODUCT FEATURES

Knob Handles

Modern Push-Touch Euro style drain included.

Available in 1.2gpm (4.5L/min) flow rate

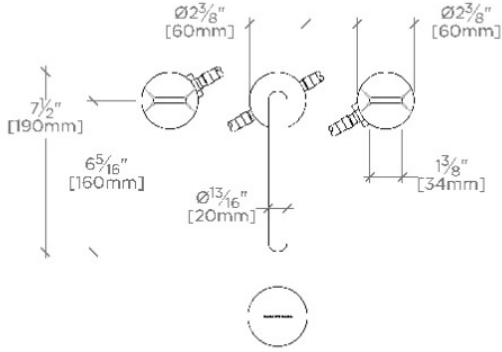
CERTIFICATIONS

PRODUCT (NOTES)

Formwork

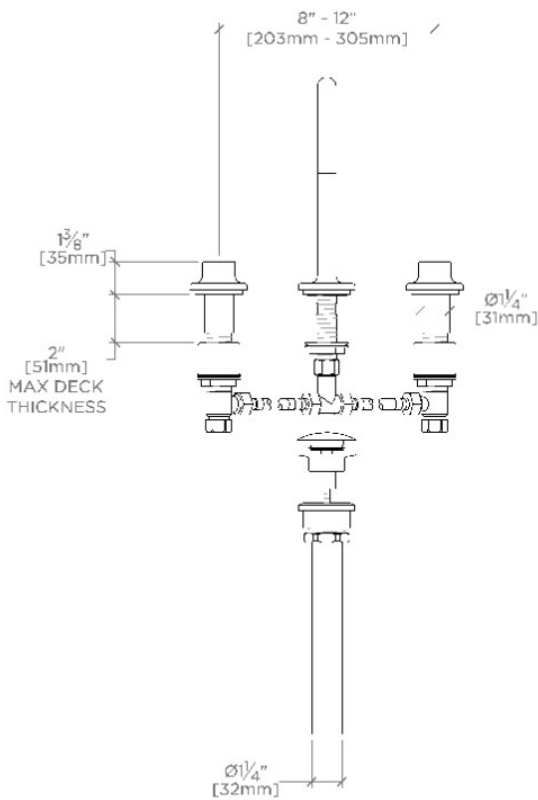
FMLS20

Formwork Gooseneck Three Hole Deck Mounted Lavatory
Faucet with Metal Knob Handles



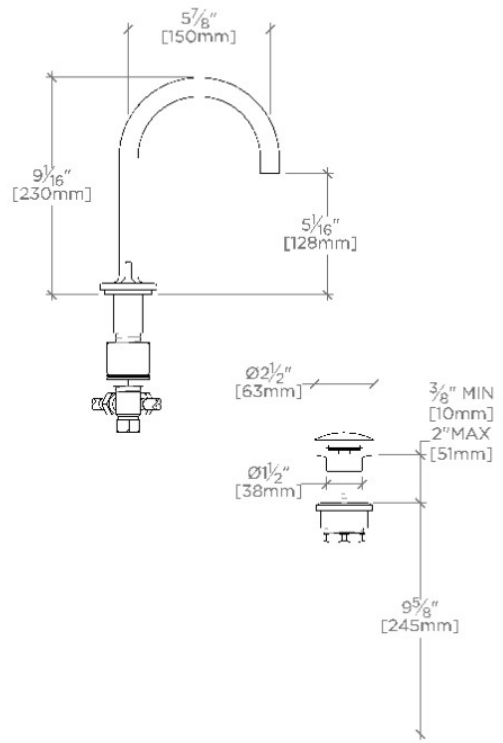
TOP VIEW

SCALE: 1/2"=1'-0"



FRONT VIEW

SCALE: 1/2"=1'-0"



SIDE VIEW

SCALE: 1/2"=1'-0"