

FINOT

NVT120

Finot Integrated Thermostatic and Volume Control Trim with Lever Handle



SHOWN IN FINOT INTEGRATED THERMOSTATIC AND VOLUME CONTROL TRIM WITH LEVER HANDLE | NVT120

TECHNICAL DETAILS

ADA Compliance: Yes
Integrated Diverter: Y
Primary Material: Brass

INSPIRATION

Finot seamlessly blends meticulous details with contemporary sensibility. A true integration of design and engineering expertise, this collection is comprised of parts that are decisively cast and forged to achieve painstaking precision and refinement.

CODES & STANDARDS

NVT120X, ASME A112.18.1/CSA B125.1

PRODUCT FEATURES

Lever Handle

Smooth handle operation controls water volume

Stocked in Chrome, Nickel, Brass and Dark Nickel

Requires rough valve, sold separately: GUTH61 (USA) or GU61TH (UK/International)

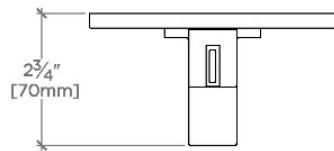
CERTIFICATIONS

PRODUCT (NOTES)

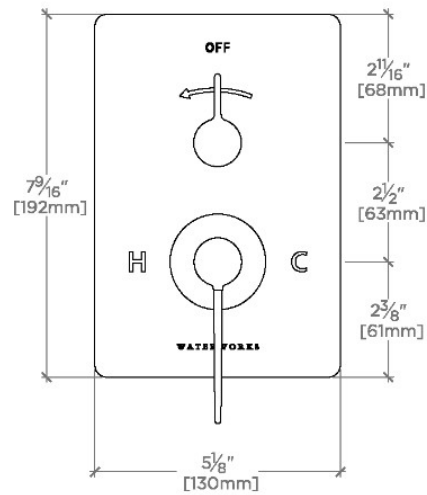
FINOT

NVT120

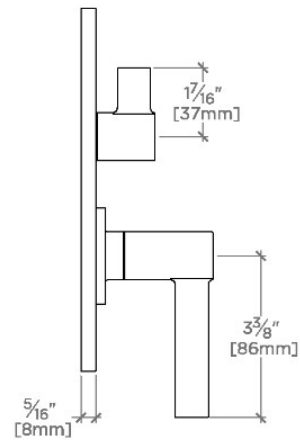
Finot Integrated Thermostatic and Volume Control Trim with Lever Handle



TOP VIEW SCALE: 3"=1'-0"



FRONT VIEW SCALE: 3"=1'-0"



SIDE VIEW SCALE: 3"=1'-0"