

REGULATOR

RGRHG1

Regulator Single Sided Glass Mounted Hook



SHOWN IN REGULATOR SINGLE SIDED GLASS MOUNTED HOOK | RGRHG1

TECHNICAL DETAILS

INSPIRATION

A play on industrial controls from the early 1900s, when pride was lavished on parts. Translated to handcrafted, fittings project rugged beauty through powerful, detailed shapes.

CODES & STANDARDS

PRODUCT FEATURES

Solid Brass Construction

Glass Mounted

Can accommodate glass thickness between 1/4" [6mm] to 3/4" [19mm]

Stocked in Nickel and Chrome

CERTIFICATIONS

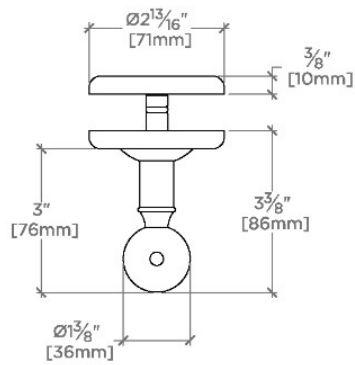
PRODUCT (NOTES)

REGULATOR

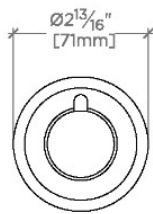
RGRHG1

Regulator Single Sided Glass Mounted Hook

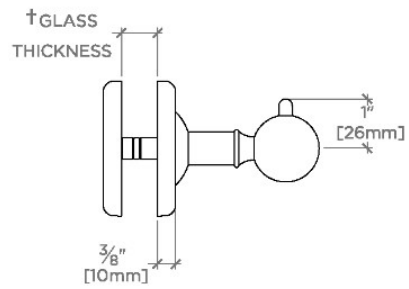
† THIS PRODUCT CAN BE INSTALLED ON GLASS THAT IS
1/4" [6mm], 3/8" [10mm], 1/2" [13mm], OR 3/4" [19mm].



TOP VIEW SCALE: 3"=1'-0"



FRONT VIEW SCALE: 3"=1'-0"



SIDE VIEW SCALE: 3"=1'-0"