

## RIVERUN

RRPB31

Riverun Pressure Balance with Diverter Trim with Lever Handle



SHOWN IN RIVERUN PRESSURE BALANCE WITH DIVERTER TRIM WITH LEVER HANDLE | RRPB31

### TECHNICAL DETAILS

ADA Compliance: Yes  
Fittings Hole Diameter: 3 1/2"  
Integrated Diverter: Y  
Number Of Holes: One Hole  
Primary Material: Brass

### INSPIRATION

This new American classic was designed with simplicity in mind. Featuring streamlined forms and honest details, it's the epitome of quiet elegance.

### CODES & STANDARDS

ASME A112.18.1/CSA B125.1, State of MA

### PRODUCT FEATURES

Features All Metal Lever Handle

Integrated diverter allows bather to move water between two sources

Stocked in Nickel and Brass

Requires rough valve, sold separately: GUPB87

### CERTIFICATIONS

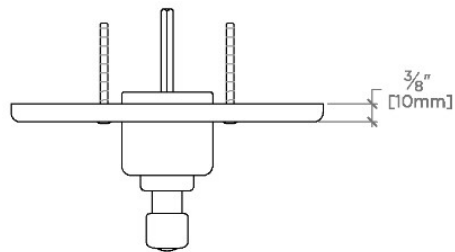


### PRODUCT (NOTES)

## RIVERUN

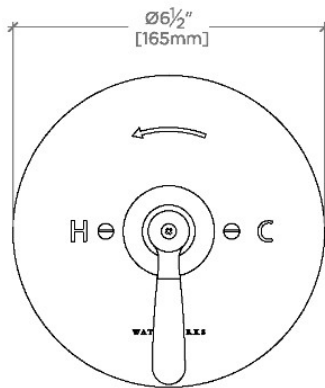
RRPB31

Riverun Pressure Balance with Diverter Trim with Lever Handle



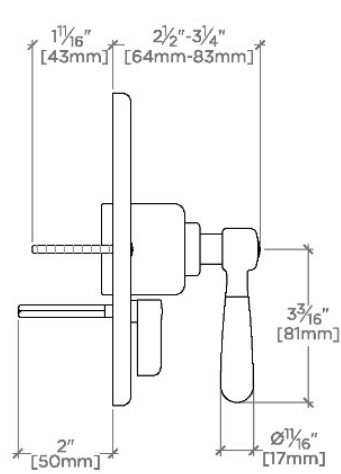
TOP VIEW

SCALE: 3"=1'-0"



FRONT VIEW

SCALE: 3"=1'-0"



SIDE VIEW

SCALE: 3"=1'-0"