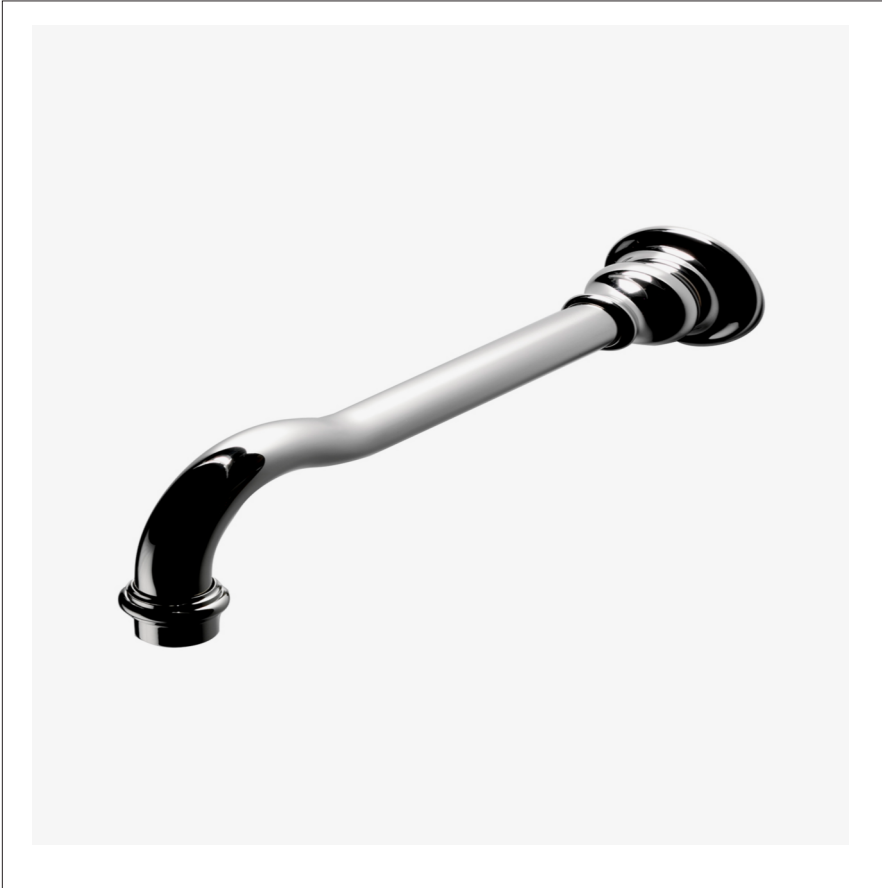


## JULIA

Julia Wall Mounted Tub Spout

JU17TS



SHOWN IN JULIA WALL MOUNTED TUB SPOUT| JUTS17

### TECHNICAL DETAILS

Adjustable versus Fixed Spray: Fixed Spray  
Escutcheon Primary Material: Brass  
Fittings Hole Diameter: 38 mm  
Depth / Width: 270 mm  
Height: 95 mm  
Inlet Connection Size: 3/4"  
Inlet Connection Type: Female G/BSPP  
Installation Type: Wall Mounted  
Length: 64 mm  
Primary Material: Brass  
Spout Reach: 9 7/8"  
Spout Swivel: N  
Suggested Application: Bath  
Water Pressure Maximum: 6.0 bar  
Water Pressure Minimum: 1.5 bar  
Water Pressure Recommended: 3.0 bar

### INSPIRATION

An interpretation of 1920s French country, Julia speaks to decoration and intricate design displayed through beautifully composed turnings. These details embody the robust, signature high profile spout enabling Julia to transition fluidly from informal to formal environments.

### CODES & STANDARDS

Code # : ASME A112.18.1 / CSA B125.1, IAPMO, State of MA

### PRODUCT FEATURES

Create a refined environment for your daily ritual by installing an exquisitely proportioned tub spout.

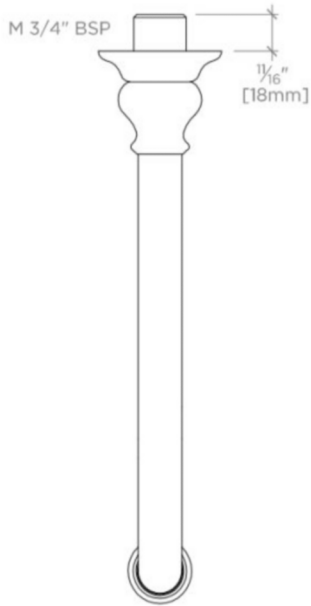
A clean, universal aesthetic applicable to all bath environments traditional to modern.

A wall mounted tub spout works seamlessly with Waterworks' thermostatic or diverter shower systems.

JULIA

JU17TS

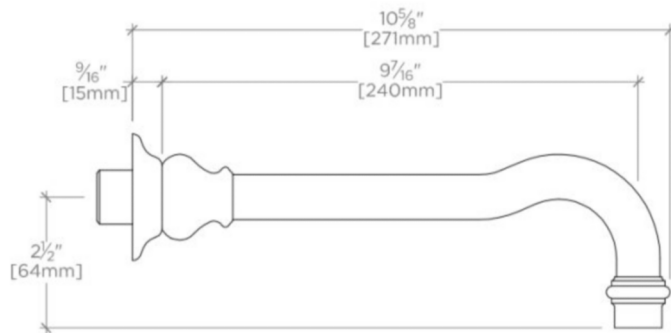
Julia Wall Mounted Tub Spout



TOP VIEW SCALE: 3"=1'-0"



FRONT VIEW SCALE: 3"=1'-0"



SIDE VIEW SCALE: 3"=1'-0"