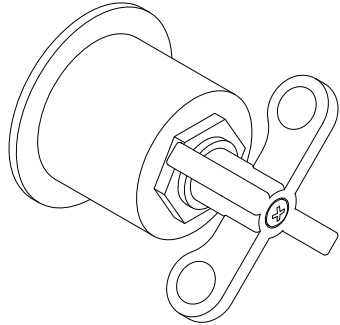


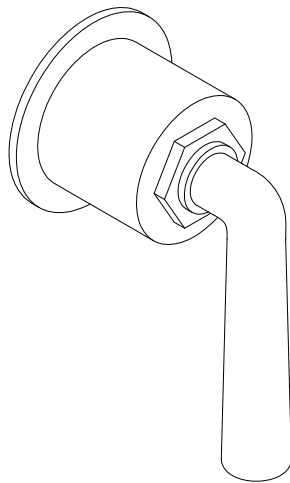
## HNSV40: Metal Cross Handle



### **IMPORTANT:**

- To ensure this product is installed properly, you must read and follow these guidelines.
- The owner/user of this product must keep this information for future reference.
- This product must be installed by a professional licensed contractor. Be sure your installation conforms to all federal, state, and local codes. Anti-scald protection is the responsibility of the installer and according to applicable codes.
- Wall valves control on/off/volume and must be installed for each fitting that will have water flowing to it. If using a wall valve with the Waterworks Universal Thermostatic Valve, refer to the Installation Guidelines for the Thermostatic Valve which contains related installation information.
- Refer to the specification and assembly drawings attached. Product is sold partially assembled but shown fully disassembled for illustrative and service purposes only. Inspect this product to ensure you have all parts required for proper installation.

## HNSV50: Metal Lever Handle



- This product must be on-site prior to rough-in. This allows the installer to visualize the installation.
- Use only a strap wrench or protected/smooth-jaw wrench on any finished surface.

### **ROUGH-IN DEPTH VERIFICATION:**

- Before attaching the trim, verify the rough-in depth from the centerline of the inlet to the face of the finished wall.
- For proper installation the rough-in depth must be between  $2\frac{3}{8}$ "- $4\frac{3}{8}$ ". Proceed to Normal Trim Installation.
- Installation with a rough-in depth greater than  $4\frac{3}{8}$ " requires extension kit WWPSV01. Install and proceed to Normal Trim Installation.
- Installation with a rough-in depth less than  $2\frac{3}{8}$ " requires disregarding the trim adapter (12). Proceed to Shallow Rough-in Depth Installation. **CAUTION: The adapter threads onto the threaded sleeve on the valve and ensures that the escutcheon (13) is securely held to the wall and centered with the handle assembly (1-11). Disregarding the adapter results in the handle assembly threading directly onto the threaded sleeve and holds the escutcheon against the wall. This could cause the escutcheon not to be centered properly and tightening the handle against the escutcheon could lead to scratches on the escutcheon.**

### **SPECIFICATIONS:**

- Control Valve Rough-in Depth Maximum:  $4\frac{3}{8}$ "
- Control Valve Rough-in Depth Minimum:  $2\frac{3}{8}$ "
- Diverter Valve Rough-in Depth Maximum: 4"
- Diverter Valve Rough-in Depth Minimum:  $2\frac{5}{8}$ "

These guidelines have been prepared for the professional contractor to aid in the installation of:  
**HENRY VOLUME CONTROL VALVE TRIM METAL CROSS HANDLE (HNSV40) AND METAL LEVER HANDLE (HNSV50).**

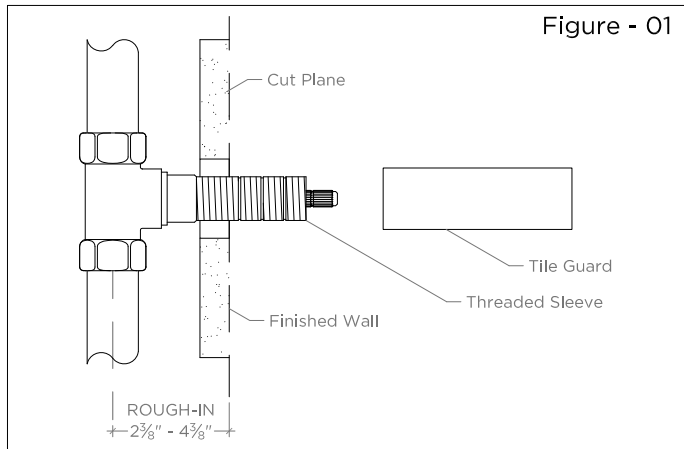
All dimensions are based on origin specification and are subject to change and variation.  
Please consult your Design Associate for current specifications.

# WATERWORKS

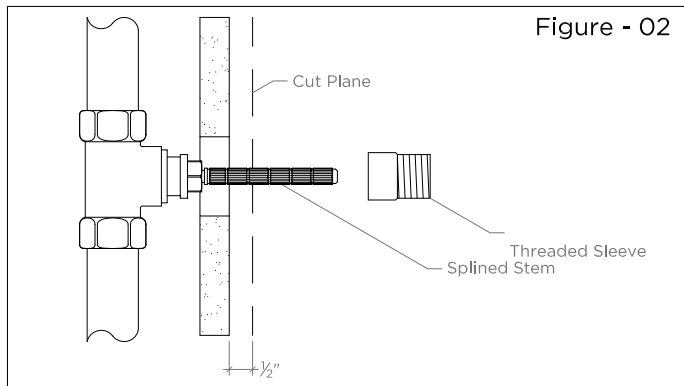
## CONTROL VALVE TRIM INSTALLATION WITH VOLUME CONTROL VALVE GUSV16R/17R:

### NORMAL TRIM INSTALLATION:

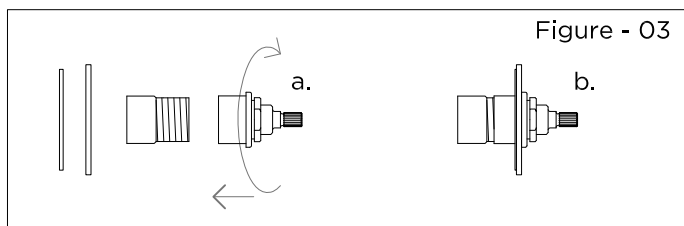
1. Pull the tile guard off the threaded sleeve on the wall valve rough and make a mark on the sleeve that is flush with the finished wall. See Figure - 01.



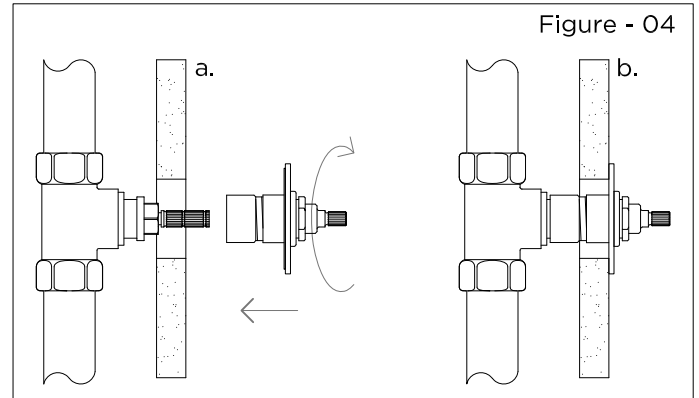
2. Remove the threaded sleeve and cut the sleeve at the mark made in Step 1. DO NOT cut the end of the sleeve that has the internal threads.
3. Make a mark on the splined stem that is  $\frac{1}{2}$ " from the finished wall. See Figure - 02.



4. Remove the cartridge and cut the splined stem at the mark made in Step 3. Re-install the cartridge.
5. Thread the trim adapter (12) onto the threaded sleeve then slide the escutcheon (13) and rubber washer (14) over the sleeve. See Figure - 03.



- Using the adapter ensures that the escutcheon (13) is securely held to the finished wall and centered with the handle assembly (1-11).
6. Re-install the threaded sleeve using the trim adapter (12) to thread the sleeve onto the cartridge. Tighten the adapter to securely hold the escutcheon (13) against the wall. If desired, a bead of caulk or silicone may be applied where the escutcheon contacts the wall. See Figure - 04



7. Thread the handle assembly (1-11) onto the trim adapter (12). NOTE: The screw (1) on the top of the cross handle (2) and the end of the lever handle (3) is aesthetic and does not serve any mechanical purpose and should not be removed.

### INSPECT THE INSTALLATION:

8. Operate the control valve to verify proper function.
- If further assistance is required, please contact Product Support at 1-800-927-2120 Ext. 3 (9am-6pm EST).

These guidelines have been prepared for the professional contractor to aid in the installation of:  
HENRY VOLUME CONTROL VALVE TRIM METAL CROSS HANDLE (HNSV40) AND METAL LEVER HANDLE (HNSV50).

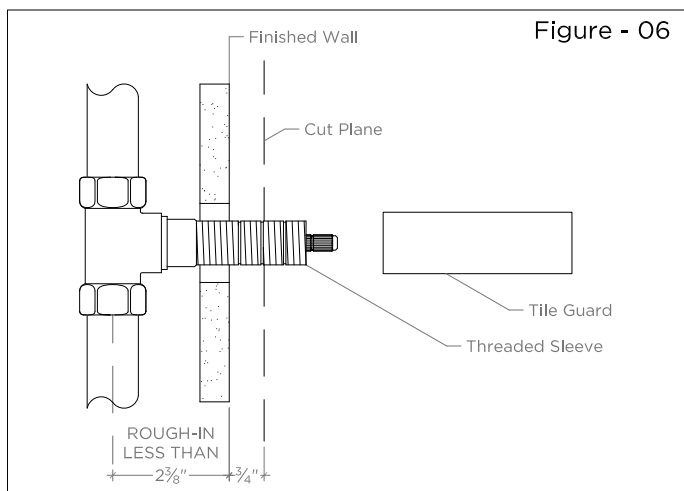
All dimensions are based on origin specification and are subject to change and variation.  
Please consult your Design Associate for current specifications.

## WATERWORKS

## **SHALLOW ROUGH-IN DEPTH TRIM INSTALLATION:**

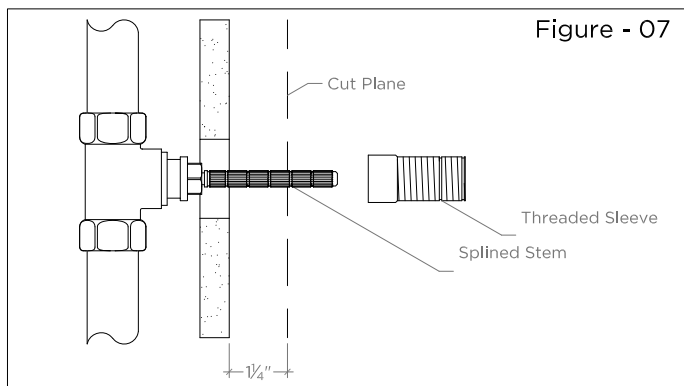
➤ Installation with a rough-in depth less than  $2\frac{3}{8}$ " requires disregarding the trim adapter (12).  
CAUTION: Disregarding the adapter results in the handle assembly (1-11) threading directly onto the threaded sleeve on the valve and holding the escutcheon against the wall. This could cause the escutcheon not to be centered properly and tightening the handle against the escutcheon could lead to scratches on the escutcheon. This is not the preferred method of installation and should only be used if the rough-in depth is less than  $2\frac{3}{8}$ ".

9. Pull the tile guard off the thread sleeve on the wall valve rough and make a mark on the sleeve that is  $\frac{3}{4}$ " from the finished wall. See Figure - 06.



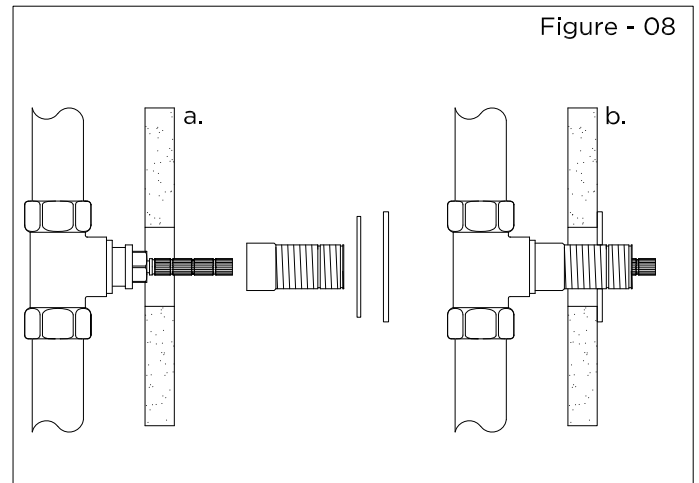
10. Remove the threaded sleeve and cut the sleeve at the mark made in Step 9. DO NOT cut the end of the sleeve that has the internal threads.

11. Make a mark on the splined stem that is  $1\frac{1}{4}$ " from the finished wall. See Figure - 07.



12. Remove the cartridge and cut the splined stem at the mark made in Step 11. Re-install the cartridge.

13. Thread the sleeve onto the cartridge then slide the escutcheon (13) and rubber washer (14) over the sleeve. See Figure - 08.



14. Hold the escutcheon (13) center with the threaded sleeve then thread the handle assembly (1-11) and tighten to securely hold the escutcheon against the wall. If desired a bead of caulk or silicone may be applied where the escutcheon contacts the wall.  
NOTE: The screw (1) on the top of the cross handle (2) and the end of the lever handle (3) is aesthetic and does not serve any mechanical purpose and should not be removed.

## **INSPECT THE INSTALLATION:**

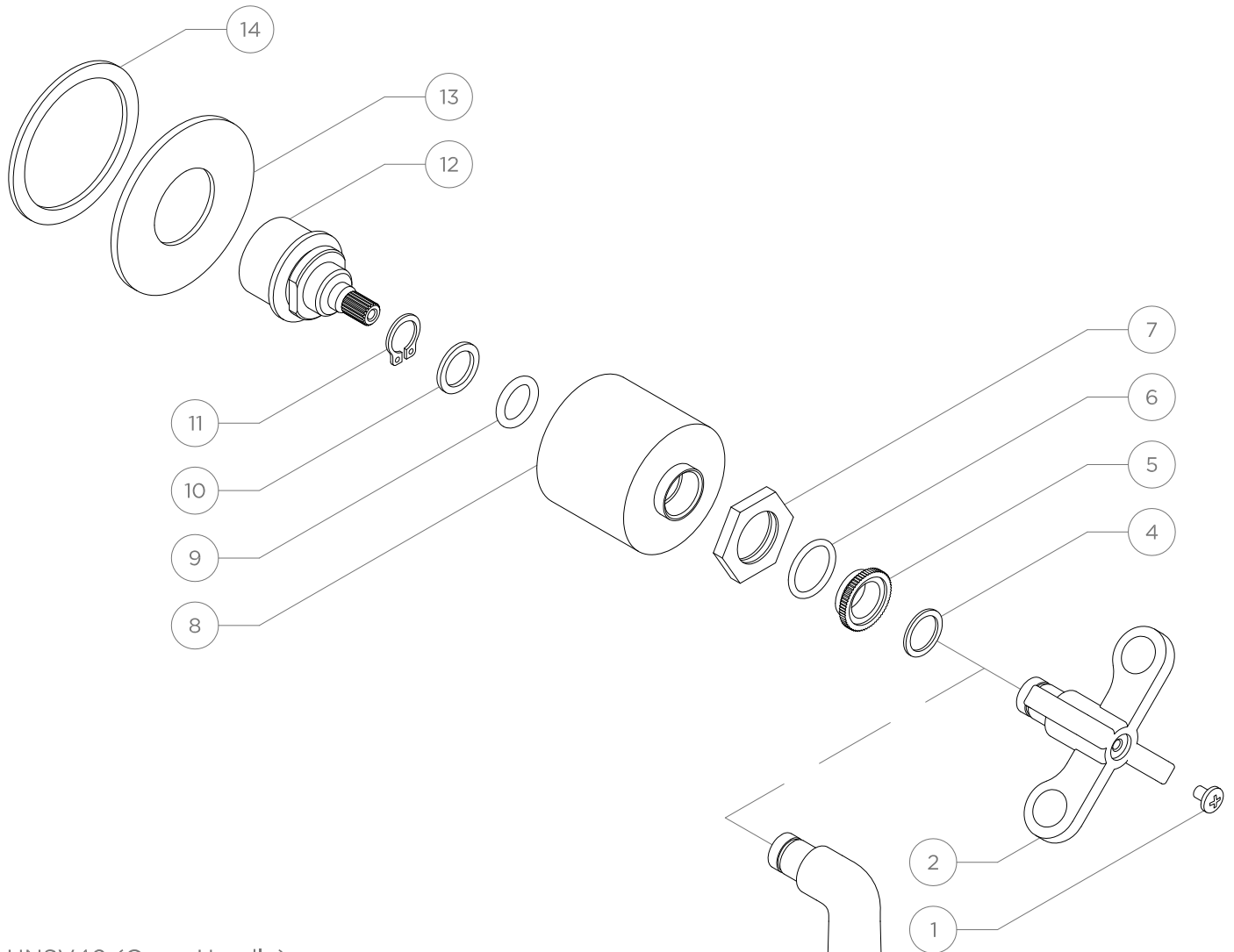
15. Operate the control valve to verify proper function.

➤ If further assistance is required, please contact Product Support at 1-800-927-2120 Ext. 3 (9am-6pm EST).

These guidelines have been prepared for the professional contractor to aid in the installation of:  
**HENRY VOLUME CONTROL VALVE TRIM METAL CROSS HANDLE (HNSV40) AND METAL LEVER HANDLE (HNSV50).**

All dimensions are based on origin specification and are subject to change and variation.  
Please consult your Design Associate for current specifications.

# WATERWORKS



HNSV40 (Cross Handle)

ITEM NO.	DESCRIPTION	QTY.
2	Cross Handle	1

HNSV50 (Lever Handle)

3	Lever Handle	1
---	--------------	---

COMMON PARTS

1	Screw, Phillips Head	1
4	Plastic Washer	1
5	1 <sup>3</sup> / <sub>16</sub> " Knurled Collar	1
6	O-Ring, 16mm ID x 2mm Width, Rubber	1
7	1 <sup>1</sup> / <sub>16</sub> " Hex Collar	1
8	Gland Cover, Henry	1
9	O-Ring, 12.1mm ID x 2.7mm Width, Rubber	1
10	Metal Washer	1
11	C-Clip, Metal	1
12	Wall Valve Trim Adapter	1
13	Escutcheon	1
13	Rubber Washer	1

These guidelines have been prepared for the professional contractor to aid in the installation of:  
**HENRY VOLUME CONTROL VALVE TRIM METAL CROSS HANDLE (HNSV40) AND METAL LEVER HANDLE (HNSV50).**

All dimensions are based on origin specification and are subject to change and variation.  
Please consult your Design Associate for current specifications.

**WATERWORKS**