

Easton

EATH17

Easton Vintage Thermostatic Control Valve Trim with Metal Lever Handle



SHOWN IN EASTON VINTAGE THERMOSTATIC CONTROL VALVE TRIM WITH METAL LEVER HANDLE | EATH17

TECHNICAL DETAILS

ADA Compliance: Yes
 Depth/Width: 89 mm
 Escutcheon Primary Material: Brass
 Height: 159 mm
 Index Color Finish And Material: White Porcelain
 Index Marking: Blank
 Integrated Diverter: N
 Length: 152 mm
 Number Of Handles: One
 Primary Material: Brass
 Suggested Application: Bath

INSPIRATION

Rooted in classical Edwardian design, Easton is our most expansive collection—offering a comprehensive family of pieces that bring polished detail and timeless tradition to any setting. Revered for its exquisite proportions and impeccable scale, Easton is a trusted choice among designers.

CODES & STANDARDS

ASME A112.18.1/CSA B125.1, State of MA

PRODUCT FEATURES

Brass metal is used for all trim and valve components

The manufacturing process encompasses casting, turning, forging, hand-fitting and hand polishing.

Easton is our most comprehensive fittings family.

Easton has a clean-lined utilitarian profile, with a slightly elongated spout.

CERTIFICATIONS



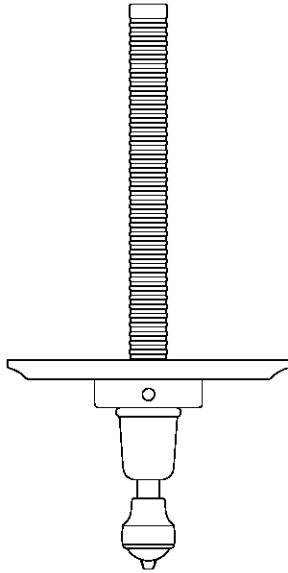
PRODUCT (NOTES)

Valve sold separately.

Easton

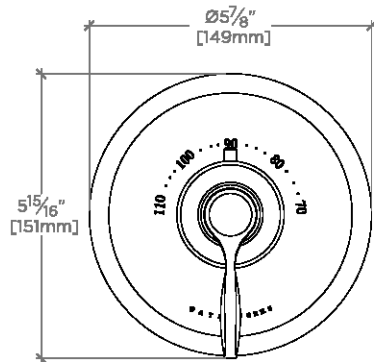
EATH17

Easton Vintage Thermostatic Control Valve Trim with Metal
Lever Handle



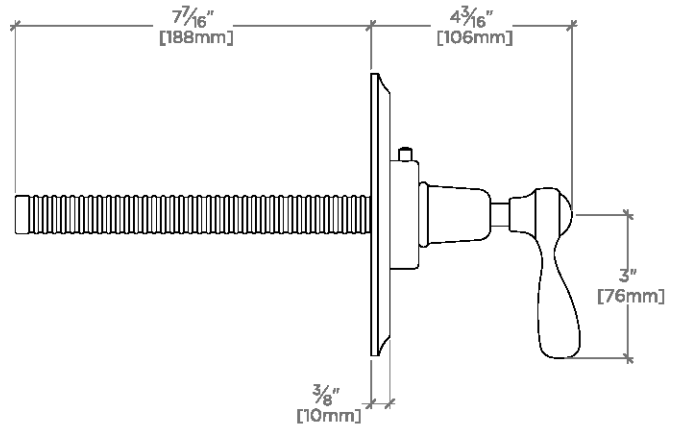
TOP VIEW

SCALE: 3"=1'-0"



FRONT VIEW

SCALE: 3"=1'-0"



SIDE VIEW

SCALE: 3"=1'-0"