

KERR

KRSK54

Kerr 46 7/16" x 18 1/4" x 10" Double Stainless Steel Kitchen Sink with Rear Drains



SHOWN IN KERR 46 7/16" X 18 1/4" X 10" DOUBLE STAINLESS STEEL KITCHEN SINK WITH REAR DRAINS| KRSK54

TECHNICAL DETAILS

ADA Compliance: When installed per ADA guidelines
Bowl Shape: Rectangular
Depth / Width: 18 1/4"
Height: 10"
Length: 46 7/16"
Primary Material: Stainless Steel
Suggested Application: Bar, Kitchen, Laundry

INSPIRATION

The height of culinary versatility, cleanliness and function is found in these stainless steel sinks. Blending elements of traditional, modern and classic designs, they are made from 16 gauge food-grade 304 stainless steel for added durability. Available in a wide range of sizes.

CODES & STANDARDS

Code # KRSK54: Complies with ASME A112.18.1/CSA B125.1, ASME A112.19.3 and ADA. Certified with IAPMO, cUPC and the State of MA.

PRODUCT FEATURES

16 Gauge welded Stainless Steel

Hand Finished to a fine hairline brushed finish

All Kerr kitchen sinks can be used with garbage disposals or 3 1/2" kitchen drain (UNKS30), Sold Separately

Meets AISI (American Iron and Steel Institute) 304 Standard, which is required by the Food Industry

Single, Double and Triple Bowl Undermount sinks can be easily customized with 0mm, 10mm(3/8"), 25mm(1"), or 55mm(2 1/8") radii.

CERTIFICATIONS



PRODUCT (NOTES)

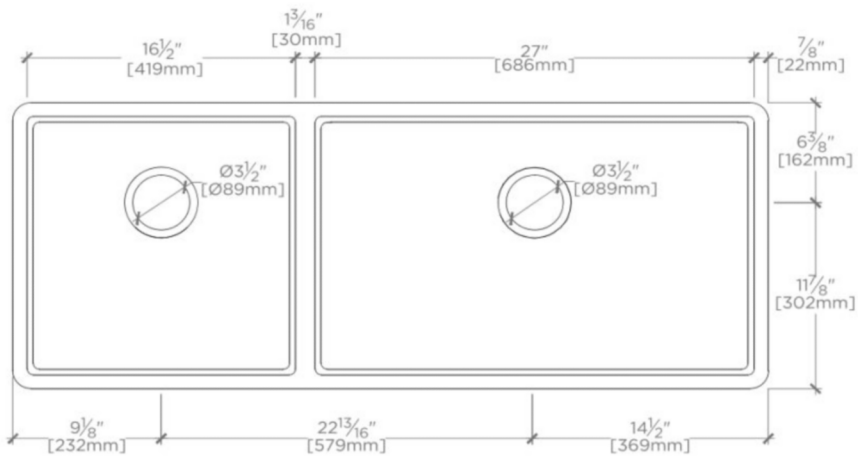
Dimensions of sinks are nominal and are subject to slight variations.

WATERWORKS

KERR

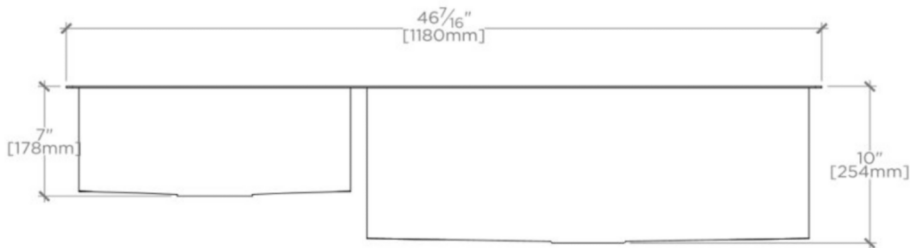
KRSK54

Kerr 46 7/16" x 18 1/4" x 10" Double Stainless Steel Kitchen Sink
with Rear Drains



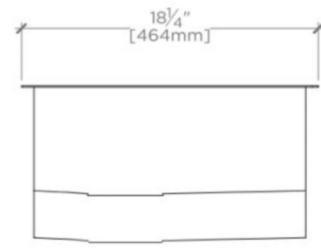
TOP VIEW

SCALE: 1"=1'-0"



FRONT VIEW

SCALE: 1"=1'-0"



SIDE VIEW

SCALE: 1"=1'-0"