

Legacy

LEWS40

Legacy Turned two Legs with 30" Audra WALL Mounted
Marble Lavatory Sink with Backsplash



SHOWN IN LEGACY TURNED TWO LEGS WITH 30" AUDRA WALL MOUNTED MARBLE LAVATORY SINK WITH BACKSPLASH | LEWS40

TECHNICAL DETAILS

ADA Compliance: No
Adjustable Levelers Feet: N
Leg Material: Metal
Number Of Legs: Four
Primary Material: Brass
Sink Visibility: N

INSPIRATION

Crafted from turned brass, Legacy offers a versatile and sophisticated look that's grounded in tradition. Solid brass legs, modeled on classical Regency styles, attach seamlessly to the stone countertop or carved sink.

CODES & STANDARDS

PRODUCT FEATURES

Solid Brass

5CM marble top in the Waterworks Cut

Packages available in Brass and Nickel

Includes sink and choice of 5CM stone top in one of our 8 standard offerings

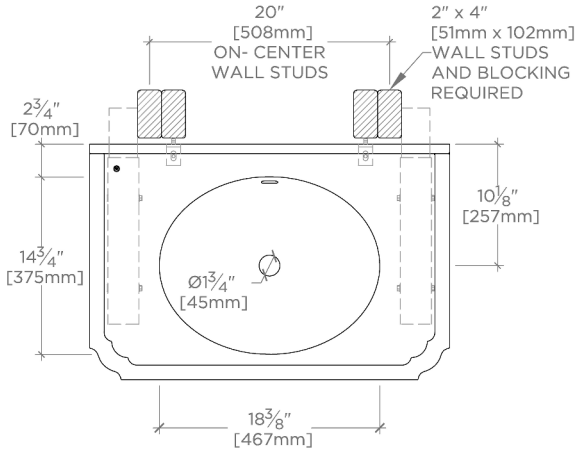
CERTIFICATIONS

PRODUCT (NOTES)

Legacy

LEWS40

Legacy Turned two Legs with 30" Audra WALL Mounted Marble Lavatory Sink with Backsplash



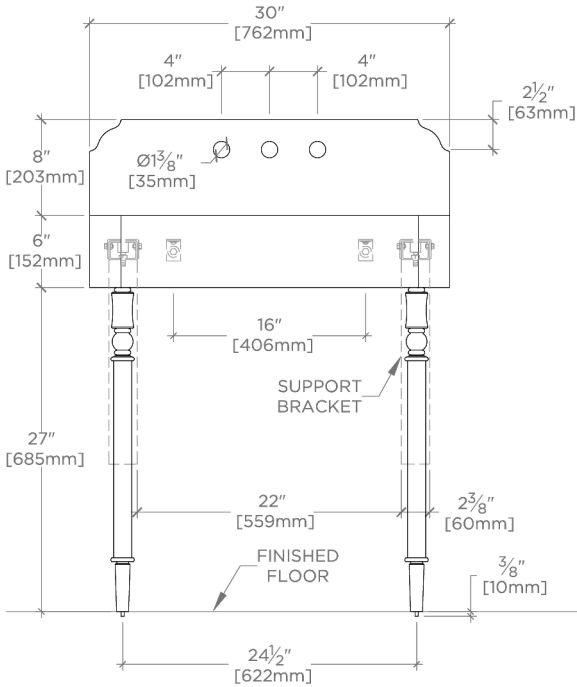
TOP VIEW

SCALE: 3/4"=1'-0"

REQUIRED MOUNTING HARDWARE (SOLD SEPARATELY)

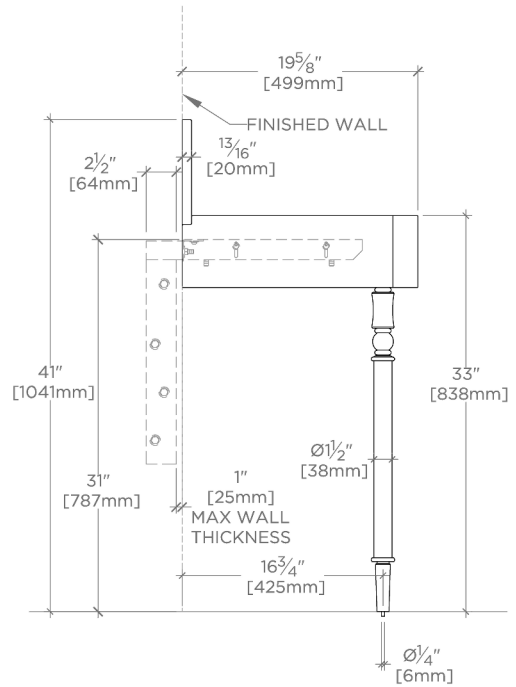
STYLE: 106801

DESCRIPTION: UNIVERSAL PAIR (L/R) 18" STAINLESS STEEL ADJUSTABLE CONCEALED SUPPORT BRACKETS, WALL SUPPORT BRACKETS AND HARDWARE FOR WALL MOUNTED STONE SINK.



FRONT VIEW

SCALE: 3/4"=1'-0"



SIDE VIEW

SCALE: 3/4"=1'-0"