

BOULEVARD

BDS18G

Boulevard 8" Rain Showerhead with 20" Wall Mounted Gooseneck Shower Arm



SHOWN IN BOULEVARD 8" RAIN SHOWERHEAD WITH 20" WALL MOUNTED GOOSENECK SHOWER ARM | BDS18G

TECHNICAL DETAILS

Adjustable Versus Fixed Spray: Fixed
 Fittings Hole Diameter: 1 1/4"
 Flow Restriction Options: 1.5, 1.75, 2.0
 Inlet Connection Size: 1/2"
 Inlet Connection Type: Female Straight Threads with Rubber Washer
 Pivot: Y
 Primary Material: Brass
 Restricted Maximum Flow Rate: 1.75 gpm
 Water Pressure Maximum: 85.0 psi
 Water Pressure Minimum: 20.0 psi
 Water Pressure Recommended: 45.0 psi

INSPIRATION

Inspiration from 1930s objects evokes extravagance: a strong silhouette, lavish scale and elegant decoration. Machine and artisan hands yield crisp details and curves.

CODES & STANDARDS

BDS18GX, ASME A112.18.1/CSA B125.1, CEC(1.5GPM & 1.75GPM Only), WaterSense(1.5GPM, 1.75GPM & 2.0GPM Only), DOE, State of MA

PRODUCT FEATURES

- Made of Brass
- Features a swivel 8" rain showerhead with easy clean rubber nozzles
- Includes a 20" wall mounted gooseneck shower arm
- Stocked in Brass, Chrome and Nickel
- Rain showerhead available in 1.75gpm (6.6L/min) flow rate

CERTIFICATIONS

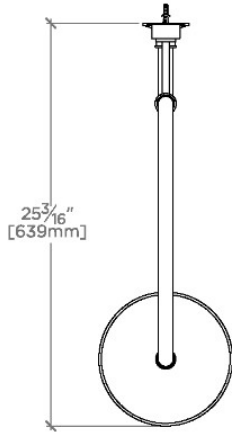


PRODUCT (NOTES)

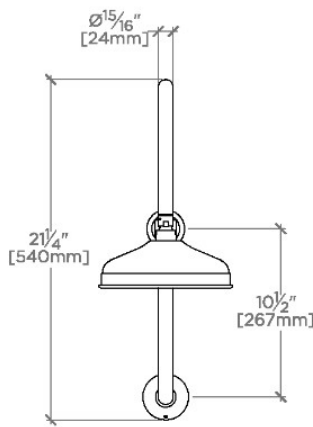
BOULEVARD

BDS18G

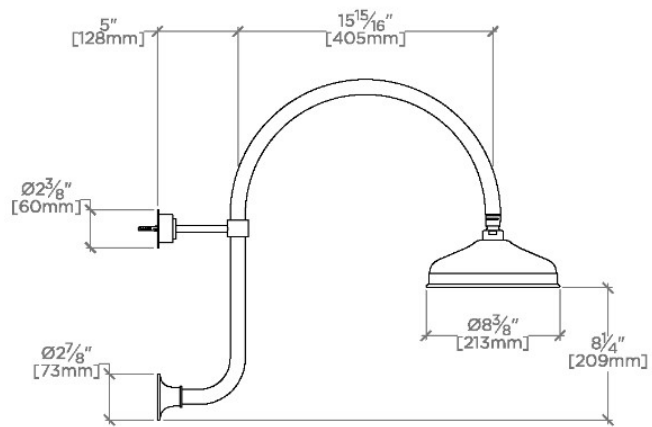
Boulevard 8" Rain Showerhead with 20" Wall Mounted
Gooseneck Shower Arm



TOP VIEW SCALE: 1"=1'-0"



FRONT VIEW SCALE: 1"=1'-0"



SIDE VIEW SCALE: 1"=1'-0"