

Bond

BVC12A

Bond Tandem Series Volume Control with Guilloche Lines
Lever Handle



SHOWN IN BOND TANDEM SERIES VOLUME CONTROL WITH GUILLOCHE LINES LEVER HANDLE | BVC12A

TECHNICAL DETAILS

ADA Compliance: Yes
 Fittings Hole Diameter: 35 mm
 Handle Turn Angle: Quarter Turn
 Integrated Diverter: N
 Number Of Holes: One Hole
 Primary Material: Brass

INSPIRATION

Bond draws inspiration from the Aesthetic Movement, rare vintage lighters, and modern industrial design. The result is a contemporary collection with a soulful quality that inhabits the full range of modern style, from austere minimalism to warm contemporary.

CODES & STANDARDS

ASME A112.18.1/CSA B125.1, State of MA

PRODUCT FEATURES

Lever Handle

Used to control water flow to a single waterway outlet such as a showerhead, handshower, or tub spout

Features Linear Guilloche Etching Handle

Stocked in Nickel and Brass

Requires rough valve, sold separately: GUV18/ GUV19 or GUV16 /GUV17

CERTIFICATIONS

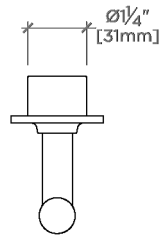


PRODUCT (NOTES)

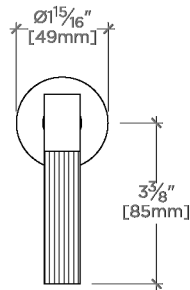
Bond

BVC12A

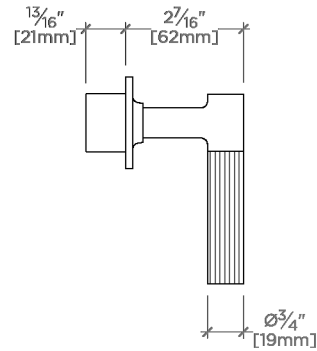
Bond Tandem Series Volume Control with Guilloche Lines
Lever Handle



TOP VIEW SCALE: 3"=1'-0"



FRONT VIEW SCALE: 3"=1'-0"



SIDE VIEW SCALE: 3"=1'-0"