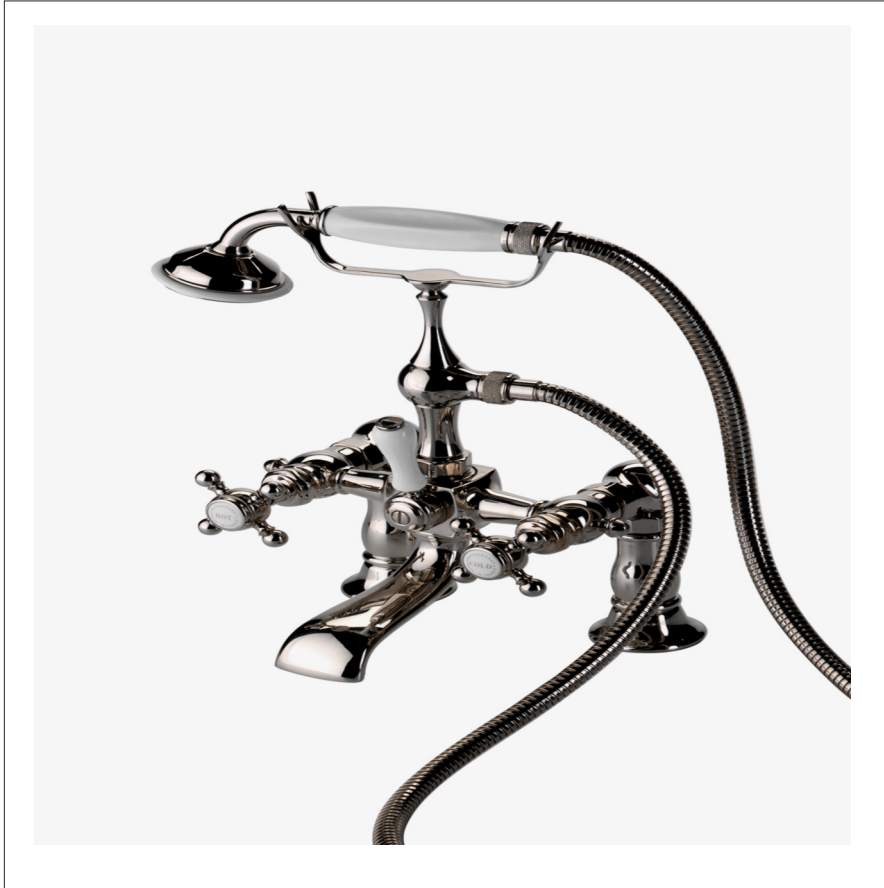


WATERWORKS

JULIA

Julia Pair of 2 3/8" x 2 3/8" x 4 13/16" Deck Unions

JU07UN



TECHNICAL DETAILS

Deck Thickness Maximum: 54 mm
Fittings Hole Diameter: 25 mm
Depth / Width: 60 mm
Height: 122 mm
Inlet Connection Size: 1/2"
Inlet Connection Type: Male G/BSPP
Length: 60 mm
Outlet Connection Size: 25"
Outlet Connection Type: Male Threads
Primary Material: Brass
Suggested Application: Bath

INSPIRATION

An interpretation of 1920s French country, Julia speaks to decoration and intricate design displayed through beautifully composed turnings. These details embody the robust, signature high profile spout enabling Julia to transition fluidly from informal to formal environments.

CODES & STANDARDS

Code # : ASME A112.18.1 / CSA B125.1, IAPMO/cUPC, State of MA

PRODUCT FEATURES

For deck mount application of Julia exposed tub filler.
Brass material used for all trim and valve component parts.

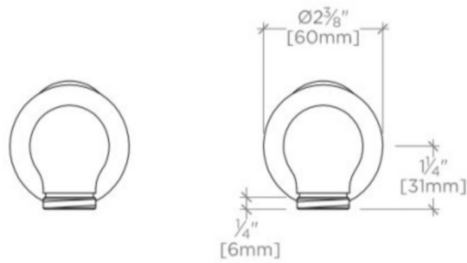
WATERWORKS

JULIA

JU07UN

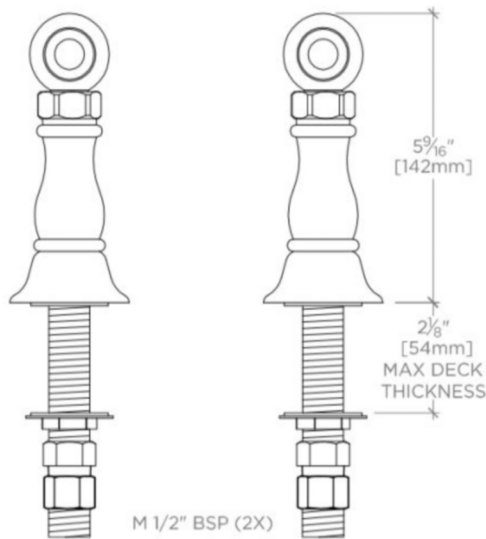
Julia Pair of 2 3/8" x 2 3/8" x 4 13/16" Deck Unions

ADAPTER(S) PACKAGED SEPARATELY		
ADAPTER	DESCRIPTION	QTY
UNUK03	1/2" NPT Female x 1/2" Male BSP	2



TOP VIEW

SCALE: 3"=1'-0"



FRONT VIEW

SCALE: 3"=1'-0"



SIDE VIEW

SCALE: 3"=1'-0"