

ASTORIA

ATLS78

Astoria Low Profile Three Hole Deck Mounted Lavatory Faucet with Metal Hexagonal Lever Handles



SHOWN IN ASTORIA LOW PROFILE THREE HOLE DECK MOUNTED LAVATORY FAUCET WITH METAL HEXAGONAL LEVER

TECHNICAL DETAILS

ADA Compliance: Yes
 Adjustable versus Fixed Spray: Fixed Spray
 Deck Thickness Maximum: 1 5/8"
 Deck Thickness Minimum: 0"
 Drain Assembly Materials: Brass
 Drain Depth Maximum: 1 3/4"
 Drain Hole Diameter: 1 3/4"
 Drain Style: Pop-up
 Escutcheon Primary Material: Brass
 Fittings Hole Diameter: 1 1/4"
 Handle Spread Maximum: 12"
 Handle Spread Minimum: 8"
 Handle Turn Angle: Quarter Turn
 Depth / Width: 7"
 Drain Depth Minimum: 1 3/8"
 Height: 3"
 Inlet Connection Size: 1/2"
 Inlet Connection Type: Male with Supply Nut
 Inlet Supply Spread Maximum: 12"
 Inlet Supply Spread Minimum: 8"
 Length: 11"
 Number of Holes: Three Hole
 Primary Material: Brass
 Restricted Maximum Flow Rate: 1.2 gpm
 Spout Swivel: N
 Suggested Application: Bath
 Valve Material: Ceramic
 Water Pressure Maximum: 85.0 psi
 Water Pressure Minimum: 20.0 psi
 Water Pressure Recommended: 45.0 psi

INSPIRATION

Astoria is dignified tradition. Firmly grounded in the 1930's, the design is an eclectic mix of distinctive geometric profiles, generous scale, and elegant design.

CODES & STANDARDS

Code # JULS78-LL: Complies with ASME A112.18.1/CSA B125.1, ASME A112.18.2 / CSA B125.2, NSF 61, NSF 372, CEC, ADA and 0.25% Weighted Average Lead Content. Certified with IAPMO, cUPC, NSF, CEC, DOE and State of MA.

PRODUCT FEATURES

Brass material is used for all trim and valve component parts.
 The signature hexagonal lever draws inspiration from the linear sophistication of the 1930's.
 The manufacturing process encompasses casting, turning, hand-fitting and hand polishing.
 A comprehensive product line of fittings options for the lavatory, shower, and bathtub.
 Available in 1.2gpm (4.5L/min) flow rate

CERTIFICATIONS



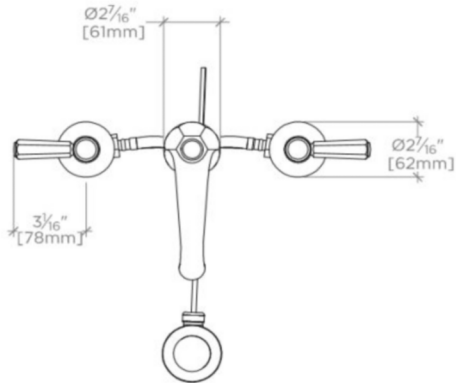
PRODUCT (NOTES)

Sold with European style drain; USA style drain sold separately for use with non-Waterworks sinks.

ASTORIA

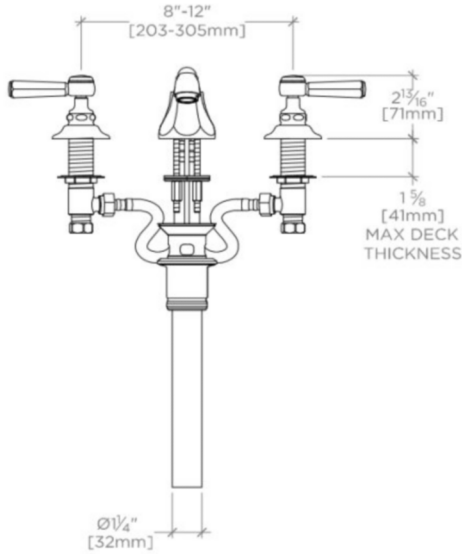
ATLS78

Astoria Low Profile Three Hole Deck Mounted Lavatory Faucet with Metal Hexagonal Lever Handles



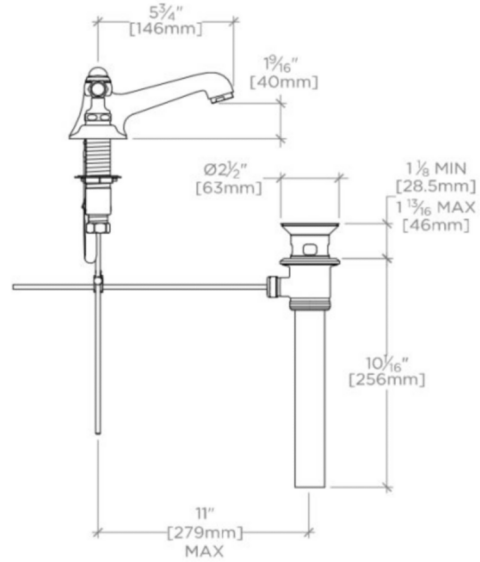
TOP VIEW

SCALE: 1 1/2"=1'-0"



FRONT VIEW

SCALE: 1 1/2"=1'-0"



SIDE VIEW

SCALE: 1 1/2"=1'-0"