

Doria

DOCP06

Doria Deck Mounted Marble Lavatory Sink 36" x 21 3/4" x 6" with 36" x 8" x 3/4" Backsplash and Tapered Pedestal 12" x 8 3/4" x 27"



SHOWN IN DORIA DECK MOUNTED MARBLE LAVATORY SINK 36" X 21 3/4" X 6" WITH 36" X 8" X 3/4" BACKSPLASH AND TAPERED PEDESTAL 12" X 8 3/4" X 27" | DOCP06

TECHNICAL DETAILS

Depth To Overflow: 83 mm
 Drain Hole Depth: 48 mm
 Drain Hole Diameter: 44 mm
 Drain Style: Center Drain
 Fittings Hole Diameter: 35 mm
 Overflow Opening: Yes

INSPIRATION

Shaped from a single block of hand-selected Italian marble, Doria exemplifies enduring elegance through its gentle curves and sculptural form. Radiused corners soften the design, while the integrated 9-inch backsplash adds height and drama.

CODES & STANDARDS

PRODUCT FEATURES

Designed by and exclusive to Waterworks

Sourced and made in Italy

Carved from a solid block of stone. Packaged item weight: 394 lbs

Comes pre-cut for deck-mounted faucet and handles

Features an integrated overflow

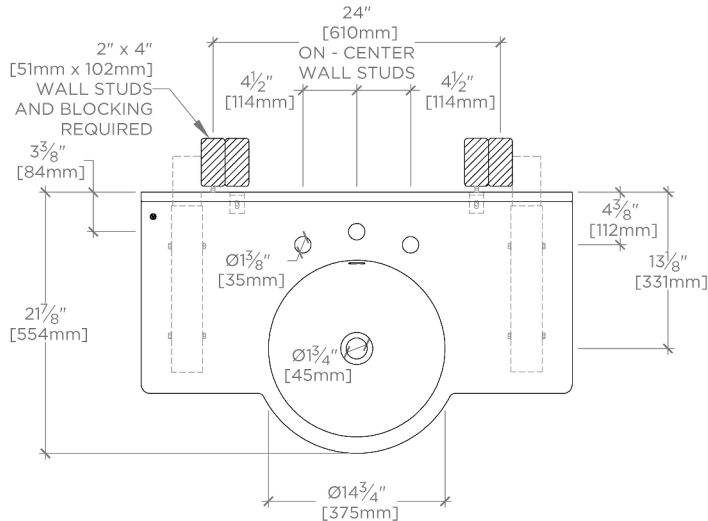
CERTIFICATIONS

PRODUCT (NOTES)

Doria

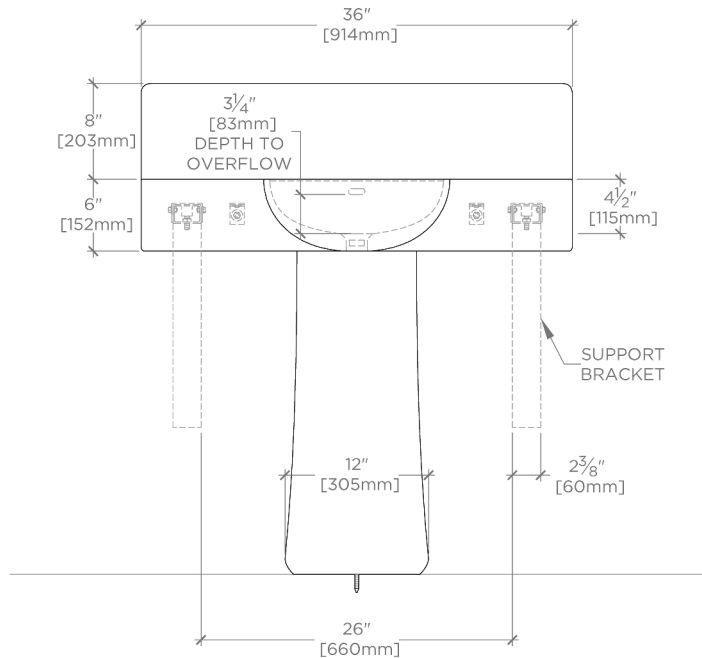
DOCP06

Doria Deck Mounted Marble Lavatory Sink 36" x 21 3/4" x 6"
with 36" x 8" x 3/4" Backsplash and Tapered Pedestal 12" x 8
3/4" x 27"



TOP VIEW

SCALE: 3/4"=1'-0"



FRONT VIEW

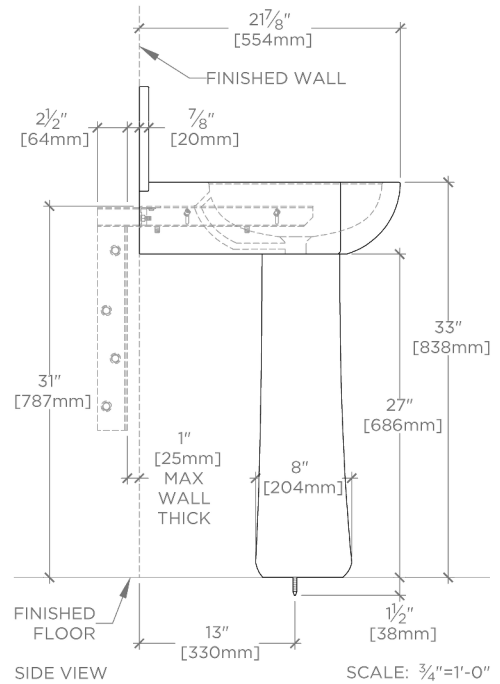
SCALE: 3/4"=1'-0"

REQUIRED MOUNTING HARDWARE (SOLD SEPARATELY)

STYLE: 106801

DESCRIPTION: UNIVERSAL PAIR (L/R) 18" STAINLESS STEEL ADJUSTABLE CONCEALED SUPPORT BRACKETS, WALL SUPPORT BRACKETS AND HARDWARE FOR WALL MOUNTED STONE SINK.

NOTE: THE SINK WILL BE SUPPORTED BY THE BRACKETS AND NOT THE PEDESTAL. ENSURE THE SINK IS NOT RESTING ON THE PEDESTAL TO AVOID DAMAGE.



SIDE VIEW

SCALE: 3/4"=1'-0"